



Installation Instructions

GMC 1500 Premium Front Sensor Bumper

Product Number: F3150, F3151, F3152
Application: 2014-2015 GMC 1500

SAFETY

Your safety and the safety of others is very important.

- In order to help you make informed decisions about safety, we have provided installation instructions and other information.
- These instructions alert you to potential hazards that could hurt you or others.
- Please do a job safety analysis before each task to identify potential hazards for your situation and remove/protect against them.
- You must use your own good judgment, and take your time.

Read and understand all safety precautions and instructions before installing this product.

**THIS PRODUCT IS FOR OFFROAD USE ONLY. ALL LIABILITY FOR
INSTALLATION AND USE RESTS WITH THE OWNER.**

**CARELESS INSTALLATION AND OPERATION CAN RESULT IN SERIOUS INJURY
OR EQUIPMENT DAMAGE.**

**SENSORS' FIELD OF VIEW WILL BE ALTERED WITH USE OF THE
REPLACEMENT BUMPER.**

Injury hazard

Failure to observe these instructions could lead to severe injury or death.

- Always remove jewelry and wear eye protection.
- Always use extreme caution when jacking up a vehicle for work. Set emergency brake and use tire blocks. Locate and use the vehicle manufacturers designated lifting points. Use jack stands.
- Always use appropriate and adequate care in lifting components into place.
- Always insure components will remain secure during installation and operation.
- Always wear safety glasses when installing this kit. A drilling operation will cause flying metal chips. Flying chips can cause serious eye injury.
- Always use extreme caution when drilling on a vehicle. Thoroughly inspect the area to be drilled (on both sides of material) prior to drilling, and relocate any objects that may be damaged.
- Always use extreme caution when cutting and trimming during fitting.
- Always tighten all nuts and bolts securely per installation instructions.
- Always route electrical cables carefully. Avoid moving parts, components that become hot and rough or sharp edges.
- Always insulate and protect all exposed wiring and electrical terminals.
- Always perform regular inspections and maintenance on mounts and related hardware.





Installation Instructions

GMC 1500 Premium Front Sensor Bumper

Product Number: F3150, F3151, F3152

Application: 2014-2015 GMC 1500

I. Overview

Congratulations on your new purchase of the industries' best and most stylish front bumper available for the 2014 GMC 1500. This bumper has been engineered for strength while keeping the weight down.

Your front bumper designed in 3-D from digitized data, CNC laser cut, fabricated, and powder coated... all in the U.S.A.

Enjoy the fit and finish of a quality GMC 1500 Front Bumper from Fab Fours Inc.





Installation Instructions

GMC 1500 Premium Front Sensor Bumper

Product Number: F3150, F3151, F3152

Application: 2014-2015 GMC 1500

Parts List

- F315X replacement bumper
- H315X-HW fastener kit
- HDLA-HW
- 4 Stud Plates
- Light Kitting [i.e. 20090(2), 61349(2), 61350(2)]
- Instruction Manual

Tools Required

- Socket Wrench with Extension (Ratcheting wrenches may also be convenient)
- 7mm, 15mm, & 18mm Sockets and Box End Wrenches
- T15 torx
- Flathead Screwdrivers
- Floor jack and wood block.

II. Removal of OEM Bumper

Note: Save all OEM parts until installation is complete!

- A. Open hood and locate push pins on radiator cover. Using a flat head screwdriver, pull the head of the push pins up, remove push pin and lift radiator cover off. This will allow access to top grill bolts (Ref. Figure 1).



Figure 1





Installation Instructions

GMC 1500 Premium Front Sensor Bumper

Product Number: F3150, F3151, F3152
Application: 2014-2015 GMC 1500

- B. Remove the valence from the vehicle. Unfasten the screws located in the forward section of each wheel well connecting the wheel well liner and the trim to the vehicle (Ref. 2a). Carefully pull both the trim and liner away from the vehicle. This will grant access to the interior cavity (Ref. 2b).**



Figure 2a



Figure 2b

- C. At this point the corner of the valence may still be held in place by the black “backing support” secured to the frame by hex head screws, use a 7mm short socket or ratchet wrench to unscrew. The color coded arrows show the location and direction of screws (Ref. 2c-d). Corners of valence should easily pull away. Locate retaining clips at bottom of valence. Depress clips and begin to remove valence as each clip is released.**

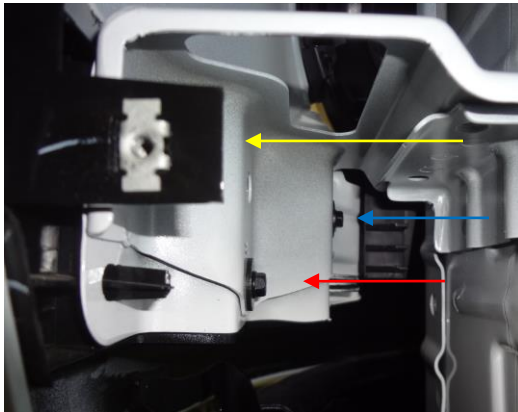


Figure 2c

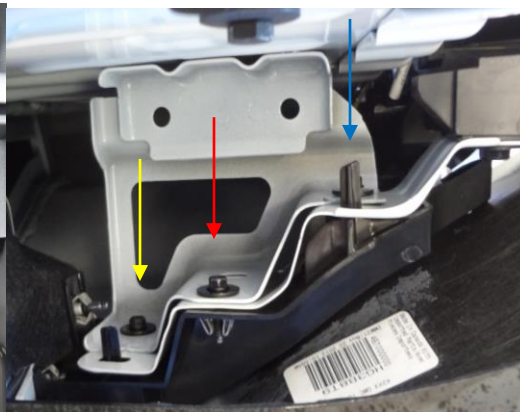


Figure 2d





Installation Instructions

GMC 1500 Premium Front Sensor Bumper

Product Number: F3150, F3151, F3152
Application: 2014-2015 GMC 1500

D. Disconnect electrical harness from vehicle.



Figure 3(electrical harness disconnected)

E. Remove the fasteners connecting the grill to the frame. Eight bolts, indicated by the red ovals, are located at the top and bottom of the grille and two bolts are located behind the grille.

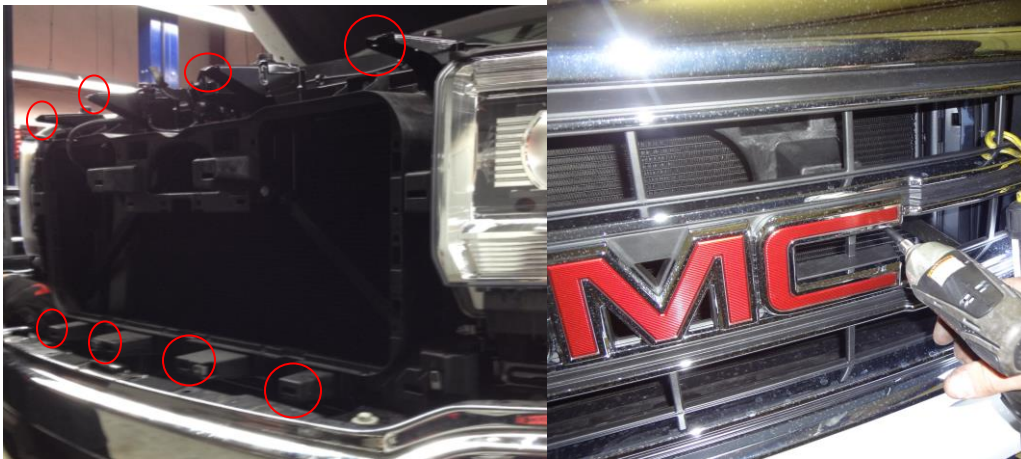


Figure 4a

Figure 4b





Installation Instructions

GMC 1500 Premium Front Sensor Bumper

Product Number: F3150, F3151, F3152

Application: 2014-2015 GMC 1500



Figure 4c



Figure 4d

- F. Remove the fasteners connecting the bumper to the frame. Using a socket/wrench remove bolts from the top and bottom of bracket connected to the bumper. Pull bumper away from vehicle and remove forward facing bolts holding bracket to frame. Repeat process on each side of vehicle.



Figure 5





Installation Instructions

GMC 1500 Premium Front Sensor Bumper

Product Number: F3150, F3151, F3152

Application: 2014-2015 GMC 1500

- G.** Remove bolts securing tow hooks to frame. Location is indicated in image below by green rectangle (Ref. 6b).



Figure 6a

Figure 6b

- H.** Replace valence and grill by reversing the order of removal steps A through E
- I.** Remove OEM electrical harness from bumper. Disconnect harness from fog lights and sensors. Pop out plastic clips holding harness to bumper on both sides and carefully pull away.





Installation Instructions

GMC 1500 Premium Front Sensor Bumper

Product Number: F3150, F3151, F3152
Application: 2014-2015 GMC 1500

III. Pre-Installation

NOTE: PLEASE READ THE ENTIRE MANUAL BEFORE ATTEMPTING INSTALLATION! Ignoring these steps will increase your probability of scratching the vehicle during product installation.

- A. Remove the bumper from the shipping carton. Lay all items out on a blanket to prevent damage to the powder coating.
- B. Tap into OEM electrical harness and wiring using supplied tap connectors. All wiring is easily accessible with the exception of the RH turn signal wiring. Accessing passenger side (i.e. RH) turn signal wiring will require the removal of the “air box” (Ref. Figure W-TS-1). Once the “air box” is removed, the wires to be spliced will be located under the signal box (Ref. Figure W-TS-2). It is strongly recommended using a multimeter, or its equivalent is used to confirm wiring before splicing.

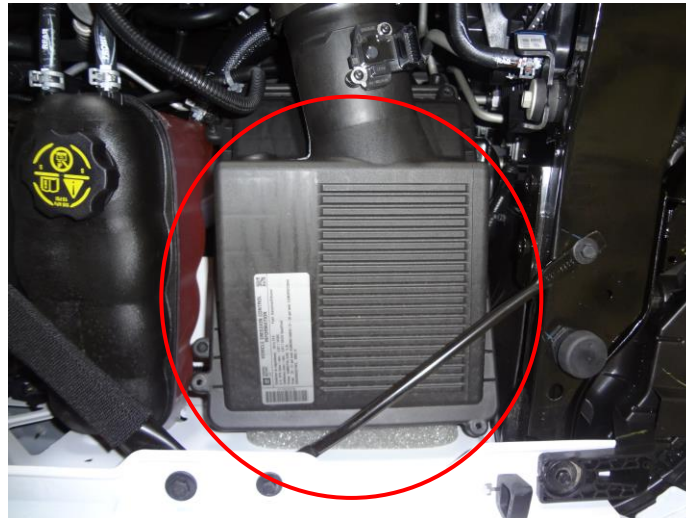


Figure W-TS-1





Installation Instructions

GMC 1500 Premium Front Sensor Bumper

Product Number: F3150, F3151, F3152
Application: 2014-2015 GMC 1500



Figure W-TS-2

- C. Connect supplied wiring harness to tap connectors. DO NOT CONNECT LIGHTS UNTIL BUMPER IS INSTALLED.

WIRE COLORS:

	<u>WIRE</u>	<u>FAB FOURS</u>	<u>OEM COLOR</u>
<div style="border: 1px solid black; padding: 5px; display: inline-block;">TURN SIGNALS (Ref. Figure W-TS-3, 4)</div>	Turn	Green	Blue (LH) Green (RH)
		White	Yellow
	Ground	Red	Black
		Green	Brown
<div style="border: 1px solid black; padding: 5px; display: inline-block;">FOG LIGHT (Ref. Figure W-FL-1, 2)</div>	Power Ground	Red	Black





Installation Instructions

GMC 1500 Premium Front Sensor Bumper

Product Number: F3150, F3151, F3152
Application: 2014-2015 GMC 1500

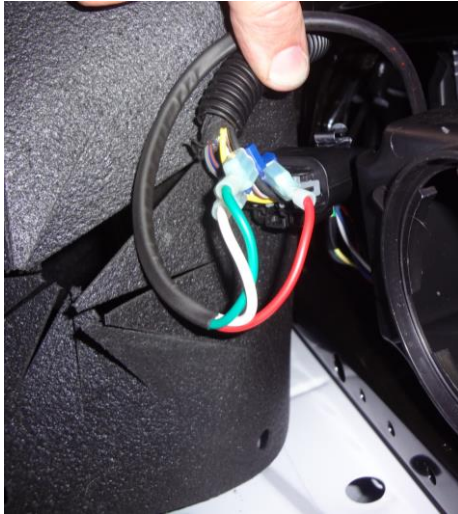


Figure W-TS-3

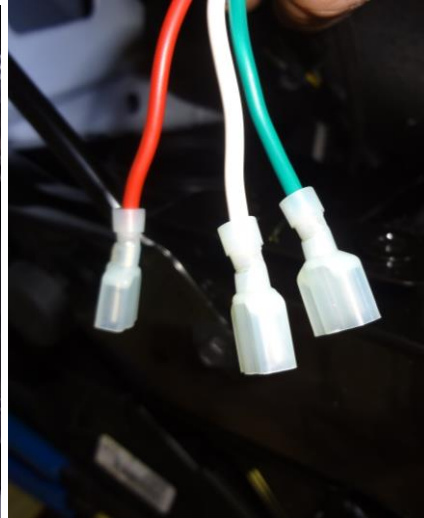


Figure W-TS-4



Figure W-FL-1



Figure W-FL-2

- D. Install turn indicators into the plastic light insert using three self-tapping screws as shown below:**





Installation Instructions

GMC 1500 Premium Front Sensor Bumper

Product Number: F3150, F3151, F3152
Application: 2014-2015 GMC 1500

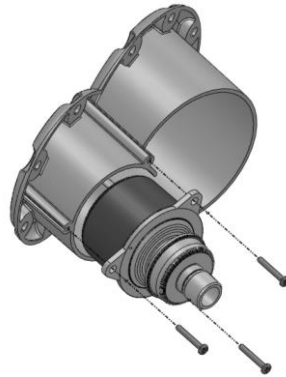


Figure 6

- E.** Install the light inserts with turn indicators into the cutout in the bumper. Use the $\frac{3}{4}$ " length $\frac{1}{4}$ " stainless steel button head, $\frac{1}{4}$ " washers and hex nuts to fasten the insert through the *holes shown below*:

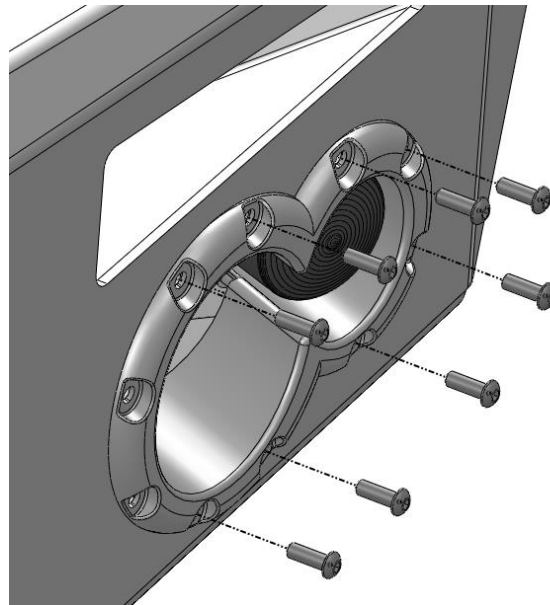


Figure 7

- F.** Install the Fab Fours fog lights onto the mounting brackets as shown below using the #8 button head screws, washers, and hex nuts.





Installation Instructions

GMC 1500 Premium Front Sensor Bumper

Product Number: F3150, F3151, F3152
Application: 2014-2015 GMC 1500

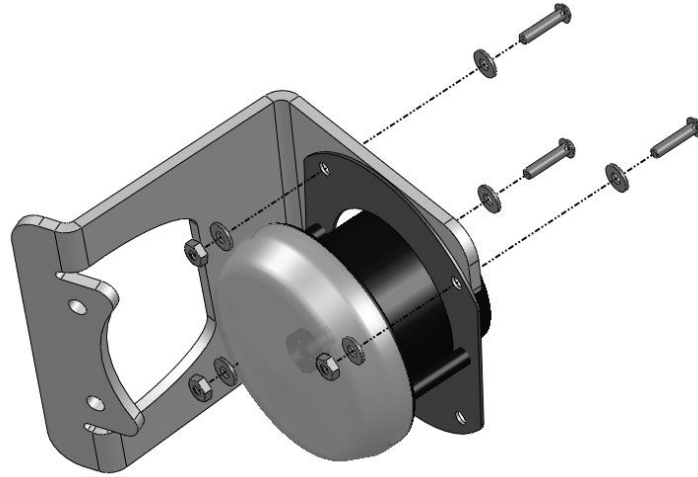


Figure 8

- G.** Install the fog light and bracket into the bumper using the remaining two holes available in the light insert. Use the 1-1/2" length 1/4" stainless steel button heads with 1/4" washers and nuts.

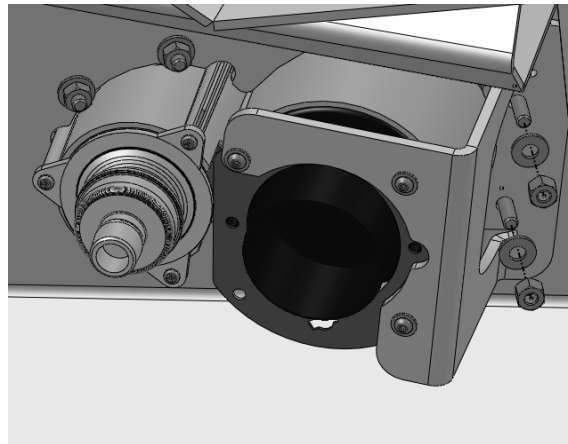


Figure 9

- H.** Secure OEM electrical harness to the Fab Fours bumper.
- I.** Repeat steps A through G for other side.
- J.** Remove the sensors and sensor housings from your stock bumper. The sensors are removed by pressing outward on the tabs





Installation Instructions

GMC 1500 Premium Front Sensor Bumper

Product Number: F3150, F3151, F3152

Application: 2014-2015 GMC 1500

of the sensor housing (Figure 10, red arrows) and pulling away from the bumper. The sensor housing is then removed by pressing the four clips circled in red and pushing through the front of the bumper.



Figure 20

Note: On the GMC front bumper, there are two different housings. The two center housings have 2 small plastic extrusions while the outer sensors have 3.

- K. Insert your stock housings into your Fab Fours bumper. Each sensor retains its factory position (i.e. center stays in the center). The cutouts in the bumper are specially designed to accept the extrusions. Failure to insert these properly may result in errors with the parking assist features of your truck.
- L. After assuring sensors work in current orientation, epoxy should be applied to the housing on inside of bumper and allowed to dry. Allow to dry before proceeding to step M.
- M. Insert the sensors and sensor harness as shown in Figure 11.





Installation Instructions

GMC 1500 Premium Front Sensor Bumper

Product Number: F3150, F3151, F3152
Application: 2014-2015 GMC 1500



Figure 11

- **Optional:** If installing winch and roller fairlead into bumper, do it at this time. Follow the winch manufacturer's instructions for installation. If you are installing a winch with a pulling capacity of 12,000 lbs., the front face mounting holes must be used.

If not installing a winch, a license plate may be installed onto the front face of the bumper.

IV. Front Bumper Installation

- A. Mount bracket to truck frame. Three bolts pass through the front of the frame and are indicated by the red boxes. One bolt passes through the side of the frame (i.e. cross bolt) and is indicated by the blue circles (Ref. 12a-b). All bolts should be hand tight to allow for adjustment.





Installation Instructions

GMC 1500 Premium Front Sensor Bumper

Product Number: F3150, F3151, F3152

Application: 2014-2015 GMC 1500

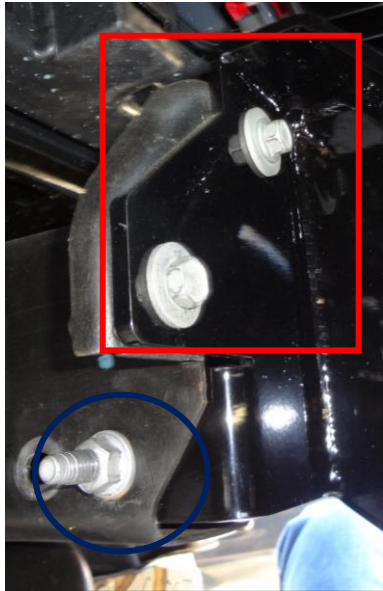


Figure 12a



Figure 12b

- B. Mount bracket to bumper. With the help of at least two others, and possibly a floor jack, to support the center of the bumper, lift the Fab Fours bumper into place (Ref 13a-b). Do Not Fully Tighten, Hand Tighten Only!**

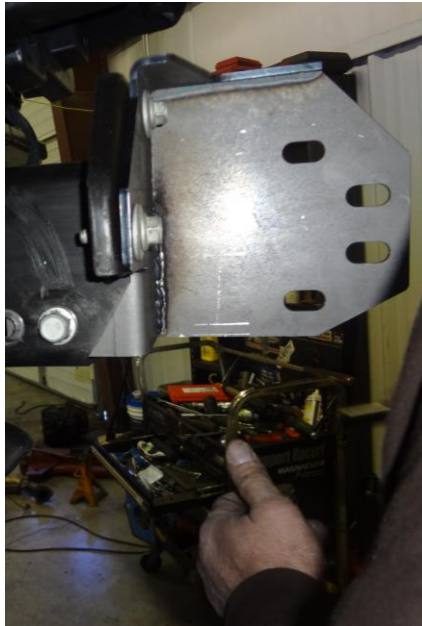


Figure 13a



Figure 13b





Installation Instructions

GMC 1500 Premium Front Sensor Bumper

Product Number: F3150, F3151, F3152
Application: 2014-2015 GMC 1500

- C. Insert the set of stud plates from the inside facing out and tighten. Do Not Fully Tighten, Hand Tighten Only!



Figure 12

- D. Align the bumper side to side and top to bottom to ensure a perfect fit to the truck. Allow 0.375" of clearance to all painted surfaces if possible. This is to allow for frame flex!
- E. Fully tighten all fasteners between bumper and brackets as well as brackets and frame.

Note: Do Not Over Tighten "Cross Bolt". Frame Should Not Compress!

- F. The fog light wiring may be installed at this time. To do so, connect wiring to fog light and tap into OEM fog light wiring using supplied tap connectors. Secure excess wiring to bumper.
- G. The turn indicator wiring may be installed at this time. To do so, connect wiring to turn indicator and tap into OEM turn indicator wiring using supplied tap connectors.
- H. Enjoy your new front replacement bumper from Fab Fours!





Installation Instructions

GMC 1500 Premium Front Sensor Bumper

Product Number: F3150, F3151, F3152
Application: 2014-2015 GMC 1500

Maintenance/Care

- Periodically check and tighten all fasteners.
- Stripped, fractured, or bent bolts or nuts need to be replaced.
- After washing of the vehicle make sure to fully dry all surfaces.

V. Contact Information

Fab Fours Inc.
1312 Camp Creek Rd
Lancaster, SC 29720

Phone (866)-385-1905
Fax (866)-574-1424
Email Support@fabfours.com



More than expected... Better than expected

