



Installation Instructions

15 GMC HD Premium Front Bumper

Product Number: C3150, C3151, C3152
Application: 2015 GMC HD

SAFETY

Your safety and the safety of others is very important.

- In order to help you make informed decisions about safety, we have provided installation instructions and other information.
- These instructions alert you to potential injury hazards.
- Please do a job safety analysis before each task to identify potential hazards for your situation and remove/protect against them.
- You must use your own good judgment.
- Read and understand all safety precautions and instructions before installing this product.

THIS PRODUCT IS FOR OFFROAD USE ONLY. ALL LIABILITY FOR INSTALLATION AND USE RESTS WITH THE OWNER.

CARELESS INSTALLATION AND OPERATION CAN RESULT IN SERIOUS INJURY OR EQUIPMENT DAMAGE.

SENSORS FIELD OF VIEW WILL BE ALTERED WITH USE OF THE REPLACEMENT BUMPER

Injury hazard

Failure to observe these instructions could lead to severe injury or death.

- Always remove jewelry and wear eye protection.
- Always use extreme caution when jacking up a vehicle for work. Set emergency brake and use tire blocks. Locate and use the vehicle manufacturers designated lifting points. Use jack stands.
- Always use appropriate and adequate care in lifting components into place.
- Always insure components will remain secure during installation and operation.
- Always wear safety glasses when installing this kit. A drilling operation will cause flying metal chips. Flying chips can cause serious eye injury.
- Always use extreme caution when drilling on a vehicle. Thoroughly inspect the area to be drilled (on both sides of material) prior to drilling, and relocate any objects that may be damaged.
- Always use extreme caution when cutting and trimming during fitting.
- Always tighten all nuts and bolts securely per installation instructions.
- Always route electrical cables carefully. Avoid moving parts, components that become hot and rough or sharp edges.
- Always insulate and protect all exposed wiring and electrical terminals.
- Always perform regular inspections and maintenance on mounts and related hardware.





Installation Instructions

15 GMC HD Premium Front Bumper

Product Number: C3150, C3151, C3152

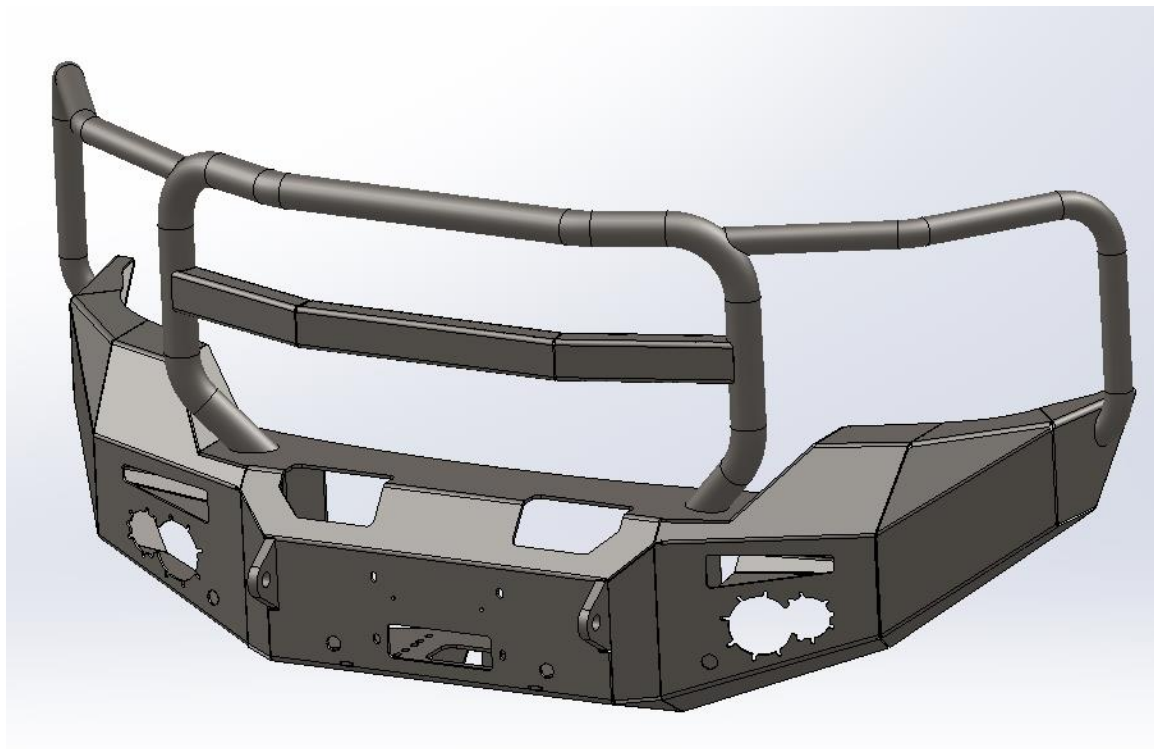
Application: 2015 GMC HD

I. Overview

Congratulations on your new purchase of the industries' best and most stylish front bumper available for the 2015 GMC Heavy Duty! This bumper has been engineered for strength while keeping the weight down.

Your front bumper is designed in 3D from digitized data, CNC laser cut, fabricated, and powder coated... all in the U.S.A.

Enjoy the fit and finish of a quality GMC HD Front Bumper from Fab Fours, Inc.





Installation Instructions

15 GMC HD Premium Front Bumper

Product Number: C3150, C3151, C3152

Application: 2015 GMC HD

Parts List

- C315X replacement bumper
- A315X brackets (20679 and 20680)
- A305X-HW fastener kit
- Fog lights and turn signals (61349 and 61350)
- Welded bolt strips (20296)
- Instruction Manual

Tools Required

- Socket Wrench with Extension (Ratcheting wrenches may also be convenient)
- 7mm, 10mm, 15mm, 18mm, 19mm, 3/4 Sockets and Box End Wrenches
- Flat head screw drivers
- Floor jack, jack stands, and/or a wood block.
- 9/16 drill bit w/ drill

II. Removal of OEM Bumper

Note: Save all OEM parts until installation is complete!

A. *Open hood and locate the twelve push pins on radiator cover. Using a flat head screw driver or similar tool, pull the head of the push pins up, remove push pin and lift radiator cover off. This will allow access to top grill bolts (Ref. Figure 1).*



Figure 1





Installation Instructions

15 GMC HD Premium Front Bumper

Product Number: C3150, C3151, C3152

Application: 2015 GMC HD

B. Remove the fasteners connecting the grill to the frame with a 10mm socket. Four bolts are located at the top of the grill, two on each side (Ref. Figure 2a-b). There are multiple clips holding the grill to the vehicle.



Figure 2a-bolts on LH side

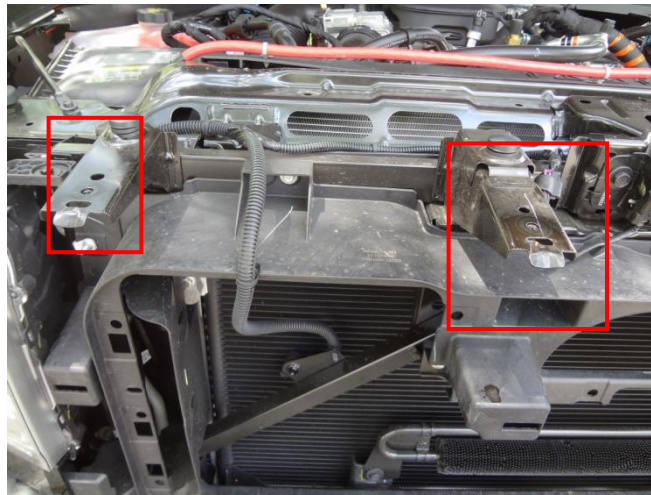


Figure 2b-grill removed-bolt locations RH



Figure 2c- example of clip holding grill





Installation Instructions

15 GMC HD Premium Front Bumper

Product Number: C3150, C3151, C3152

Application: 2015 GMC HD

C. *Disconnect electrical harness (Ref. Figure 3a) from vehicle and remove tow hooks. Tow hooks are mounted with one cross bolt through the side and a bolt through the bottom of the frame (Ref. Figure 3b).*



Figure 3a (TOW HOOK & OEM MOUNTING BRACKET)

D. *Remove bolts connecting bumper to mounting bracket (Ref. Figure 3a circles). There are two bolts on each side which require a socket wrench with an extension to easily reach from top and bottom. (Ref. Figure 3a-b). Carefully pull bumper away from vehicle.*





Installation Instructions

15 GMC HD Premium Front Bumper

Product Number: C3150, C3151, C3152

Application: 2015 GMC HD



Figure 3b (BOLT ACCESS FOR TOP BOLT ON MOUNTING BRACKET)

E. Remove the fasteners connecting the OEM mounting bracket to the frame. Using a socket/wrench remove four bolts from the front of bracket connected to the bumper. Repeat process on each side of vehicle.

F. Remove OEM electrical harness from bumper. Disconnect harness from fog lights and sensors. Pop out the three plastic clips holding fog lights to fog light housing and carefully pull away. The plastic clips are indicated by a circle. Unbolt bumper support frames as necessary to more easily access sensors (Ref. Figure 6).



Figure 6





Installation Instructions

15 GMC HD Premium Front Bumper

Product Number: C3150, C3151, C3152

Application: 2015 GMC HD

NOTE: PARKING SENSORS ARE EXTREMELY DELICATE AND MUST BE HANDLED WITH CARE! Do NOT touch or shift the clear rubber grommet that surrounds the sensor face.

G. Remove OEM electrical harness from bumper. Disconnect harnesses from fog lights and sensors. Sensors can be disconnected from housing by depressing the plastic clip indicated by the red square (ref. Figure 8a).

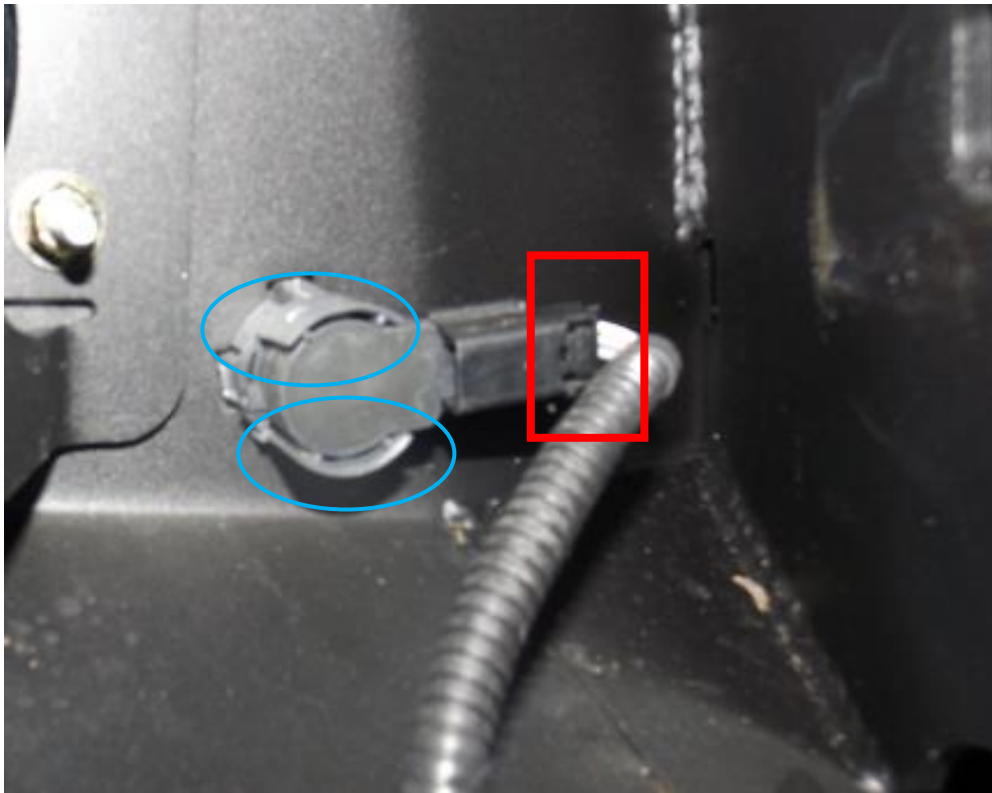


Figure 8

H. CAREFULLY remove sensors from plastic housing by gently pulling the top and bottom tabs, indicated by blue circles (Ref. Figure 8a), away as sensor is pulled out. Do not push on front of sensor as this will damage the membrane. Place sensors face up in a safe location.

I. Remove plastic housing from OEM bumper by depressing the four plastic tabs around the inside and pushing housing out. All sensor housings will have to be placed into the Fab Fours bumper in the same location as they were removed from OEM bumper. (e.g. Outer right sensor clip must go into the outer right sensor hole in the Fab Fours bumper.)





Installation Instructions

15 GMC HD Premium Front Bumper

Product Number: C3150, C3151, C3152

Application: 2015 GMC HD

III. Pre-Installation

NOTE: PLEASE READ THE ENTIRE MANUAL BEFORE ATTEMPTING INSTALLATION!

Ignoring these steps will increase your probability of scratching the vehicle and damaging the sensors during product installation.

A. Remove the bumper from the shipping carton. Lay all items out on a blanket to prevent damage to the powder coating.

B. Place sensor housing in Fab Four bumper replicating the orientation seen in the images below. The housings should slide in freely and not be forced as this may compress sensor and cause false readings after installation. After assuring sensors work in current orientation, epoxy should be applied to the housing on inside of bumper and allowed to dry.

C. For sensor installation, run sensor harness under winch tray. Reverse steps G through I in previous section, making sure that the clear plastic grommet around front end of sensor is on properly and sensors appear centered in their housings. Final installation of sensors on driver side should appear as follows with passenger side sensors mirrored. (Ref. Figures 9a-f)





Installation Instructions

15 GMC HD Premium Front Bumper

Product Number: C3150, C3151, C3152

Application: 2015 GMC HD





Installation Instructions

15 GMC HD Premium Front Bumper

Product Number: C3150, C3151, C3152
Application: 2015 GMC HD



Install the provided Fab Fours fog lights using the provided hardware kit. The wiring diagram for the fog lights can be found in section V.





Installation Instructions

15 GMC HD Premium Front Bumper

Product Number: C3150, C3151, C3152

Application: 2015 GMC HD



Figure 7

- **Optional:** If installing winch and roller fairlead into bumper, do it after sensors have been installed. Follow the winch manufacturer's instructions for installation.

IV. Front Bumper Installation

A. Mount bracket to truck frame. Two bolts pass through the sides of the frame. One bolt passes through the bottom of the frame (Ref. 8a-b). Mount on both sides. If holes on the side of frame are out of tolerance then enlarge hole with 9/16 drill as needed on side of frame.

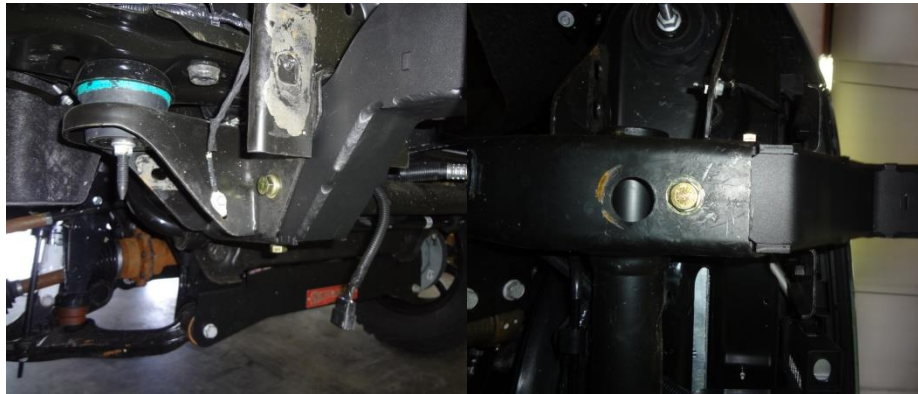


Figure 8a

Figure 8b

B. Mount bracket to bumper. With the help of at least two others,





Installation Instructions

15 GMC HD Premium Front Bumper

Product Number: C3150, C3151, C3152

Application: 2015 GMC HD

and possibly a floor jack to support the center of the bumper, lift the Fab Fours bumper into place.

C. Insert the bolt strips from the inside facing out and tighten. Do Not Fully Tighten, Hand Tighten Only!

D. Align the bumper side to side and top to bottom to ensure a perfect fit to the truck. Allow clearance to all painted surfaces, this is to allow for frame flex.

E. Fully tighten all fasteners between bumper and bracket.

F. Enjoy your New Front Replacement Bumper from Fab Fours!





Installation Instructions

15 GMC HD Premium Front Bumper

Product Number: C3150, C3151, C3152
Application: 2015 GMC HD

V. Fog Light and Turn Signal Wiring

1. Disconnect the battery of your truck.
2. With a flathead screwdriver, remove pins attaching upper shroud. Remove the shroud.
3. Using a 10mm wrench, remove the 4 bolts attaching the grill and remove grill by pulling forward.
4. After removing the grill, remove the front 10mm bolt and two 7mm bolts located on the inside and outside of the wheel arch. Remove under headlight trim.
5. Remove the remaining 10mm bolts on the top of the headlight pod and two bolts on the front of the pod that are now exposed. Headlight should now slide forward.
6. To completely remove, disconnect the headlight wiring harness.
7. Using the provided hardware, splice the wires using the wiring guide below.

Wire Colors

Component	Fab Fours Color	OEM Corresponding Color
Turn Signals	Green	Blue W/ Stripe (LH)
		Green W/ Stripe (RH)
	White	Purple W/ Stripe (LH)
		Grey W/ Stripe
Fog Lights	Red	Black (ground)
	Green	Brown W/ Stripe
	Red	Black (ground)





Installation Instructions

15 GMC HD Premium Front Bumper

Product Number: C3150, C3151, C3152

Application: 2015 GMC HD

8. **Connect headlight and wires and fog light/turn signal wires.**
9. **Reattach headlight pods to truck**
10. **Install turn indicators into the plastic light insert using three self-tapping screws as shown below.**

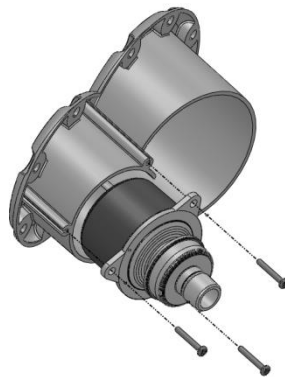


Figure 12a

11. **Install the light inserts with turn indicators into the cutout in the bumper. Use the $\frac{3}{4}$ " length $\frac{1}{4}$ " stainless steel button head, $\frac{1}{4}$ " washers and hex nuts to fasten the insert through the holes shown below.**





Installation Instructions

15 GMC HD Premium Front Bumper

Product Number: C3150, C3151, C3152

Application: 2015 GMC HD

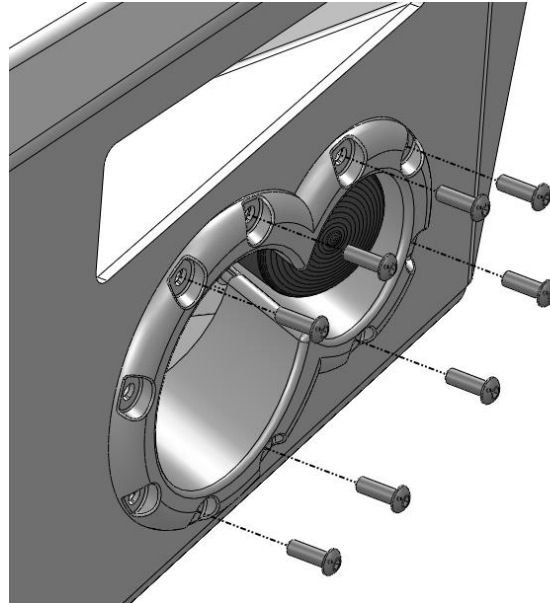


Figure 13a

12. Install the Fab Fours fog lights into the mounting brackets as shown below using the #8 button head screws, washers, and hex nuts.

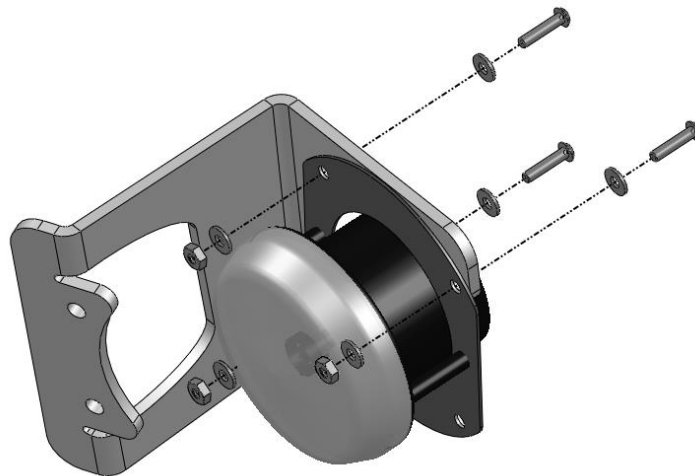


Figure 14a





Installation Instructions

15 GMC HD Premium Front Bumper

Product Number: C3150, C3151, C3152

Application: 2015 GMC HD

13. 13. Install the fog light and bracket into the bumper using the remaining two holes.
14. 14. Install turn indicators into the plastic light insert using three self-tapping screws as shown below.

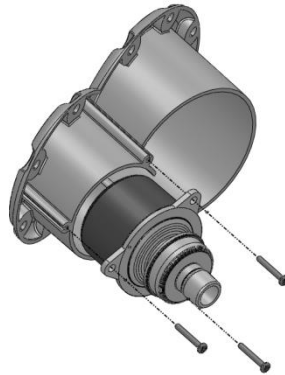


Figure 12a

15. 15. Install the light inserts with turn indicators into the cutout in the bumper. Use the $\frac{3}{4}$ " length $\frac{1}{4}$ " stainless steel button head, $\frac{1}{4}$ " washers and hex nuts to fasten the insert through the holes shown below.

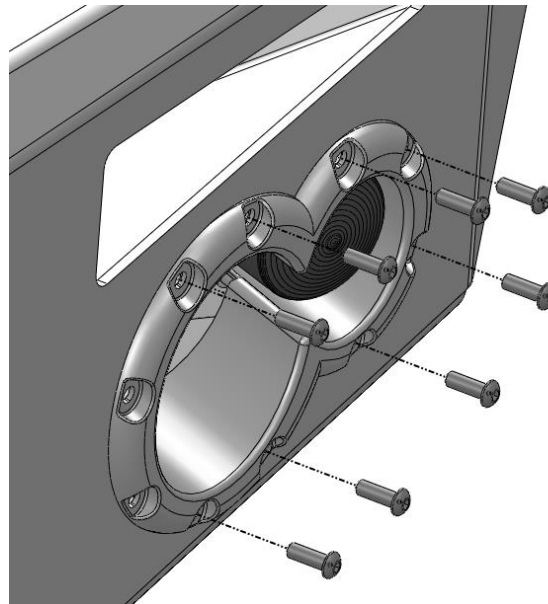


Figure 13a





Installation Instructions

15 GMC HD Premium Front Bumper

Product Number: C3150, C3151, C3152

Application: 2015 GMC HD

16. Install the Fab Fours fog lights into the mounting brackets as shown below using the #8 button head screws, washers, and hex nuts.

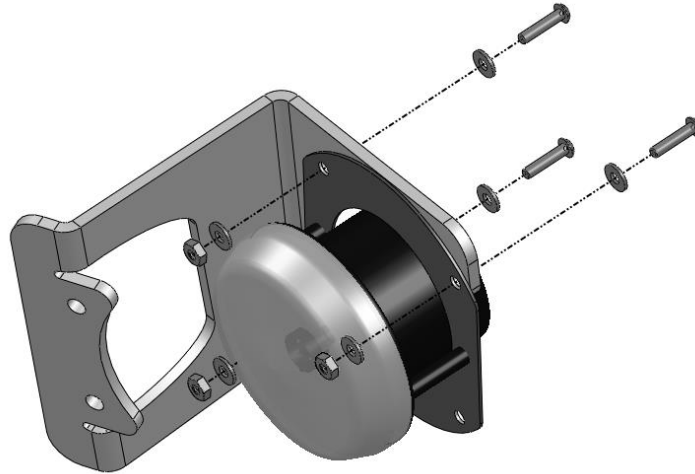


Figure 14a

17. Install the fog light and bracket into the bumper using the remaining two holes





Installation Instructions

15 GMC HD Premium Front Bumper

Product Number: C3150, C3151, C3152

Application: 2015 GMC HD

VI. Maintenance/Care

- Periodically check and tighten all fasteners.
- Stripped, fractured, or bent bolts or nuts need to be replaced.
- After washing of the vehicle make sure to fully dry all surfaces





Installation Instructions

15 GMC HD Premium Front Bumper

Product Number: C3150, C3151, C3152
Application: 2015 GMC HD

APPENDIX A. Troubleshooting Vehicle Sensors

- Start with a general inspection of the sensor fitment. Check that both the sensors and the sensor clips are fully secure and the sensors are properly centered in the housing.
- Confirm plastic housing is in the correct mounting holes. Misplaced sensor housings could compress sensor and give false readings or faults.
- Use a clean microfiber to wipe the front face of the sensor as dirt or debris can cause issues.
- Inspect connection. Be sure that the sensor is firmly seated into the harness.
- Run through several start cycles (i.e. fully turn the vehicle on and off).
- Finally, disconnect the battery to reset the sensors.

If sensors still do not work, sensors may have been damaged during the installation process. Take vehicle to a certified dealership.





Installation Instructions

15 GMC HD Premium Front Bumper

Product Number: C3150, C3151, C3152
Application: 2015 GMC HD

VII. Contact Information

Fab Fours Inc.
1312 Camp Creek Rd
Lancaster, SC 29720

Phone (866)-385-1905
Fax (866)-574-1424
Email Support@fabfours.com



More than expected... Better than expected

