

INSTALLATION GUIDE



SAFETY

THE SAFETY OF YOU AND OTHERS IS VERY IMPORTANT TO US!

In order to minimize this risk and make an informed decision about safety, it is important that you carefully read and follow the installation instructions we have provided.

We urge you to use your own good judgment and allow plenty of time for install.

HAZARD CHECKLIST

- Always wear personal protective equipment (PPE) such as: protective eye wear, gloves, close toed shoes, etc.
- We recommend that you use a certified mechanic or shop for professional installation.
- Always set emergency brakes on vehicle and use tire blocks to ensure vehicle stabilization.
- Use caution when lifting, we recommend the use of equipment to help lift bumpers into place.
- Use caution when using power tools such as air ratchet, etc.
- Take caution when installing wiring.
- Perform regular inspections of hardware, bolts, brackets, etc.
- Rigid light brackets are specifically designed to fit Rigid lights, we do not guarantee off brand fitment.
- Our winch mount is designed for Warn and Superwinch products. We do not guarantee off brand fitment.

USE & RISK

- **Bodyguard Products LLC is not responsible for damage to our products, or other subsequent damage that might occur, as a result of misuse or improper installation. While we do manufacture products that appear stronger than factory parts, our products should not be viewed or relied upon as life-saving devices in the event of a collision or rollover. We make no claims relating to airbag compatibility, crashworthiness, or sturdiness. It is the customer's responsibility to check with the vehicle manufacturer or auto dealer regarding airbag compatibility and automobile manufacturer's warranty before installing our products.** Use either foam or tape on fenders to prevent scratches to the truck when installing your bumper.

PREPARATION

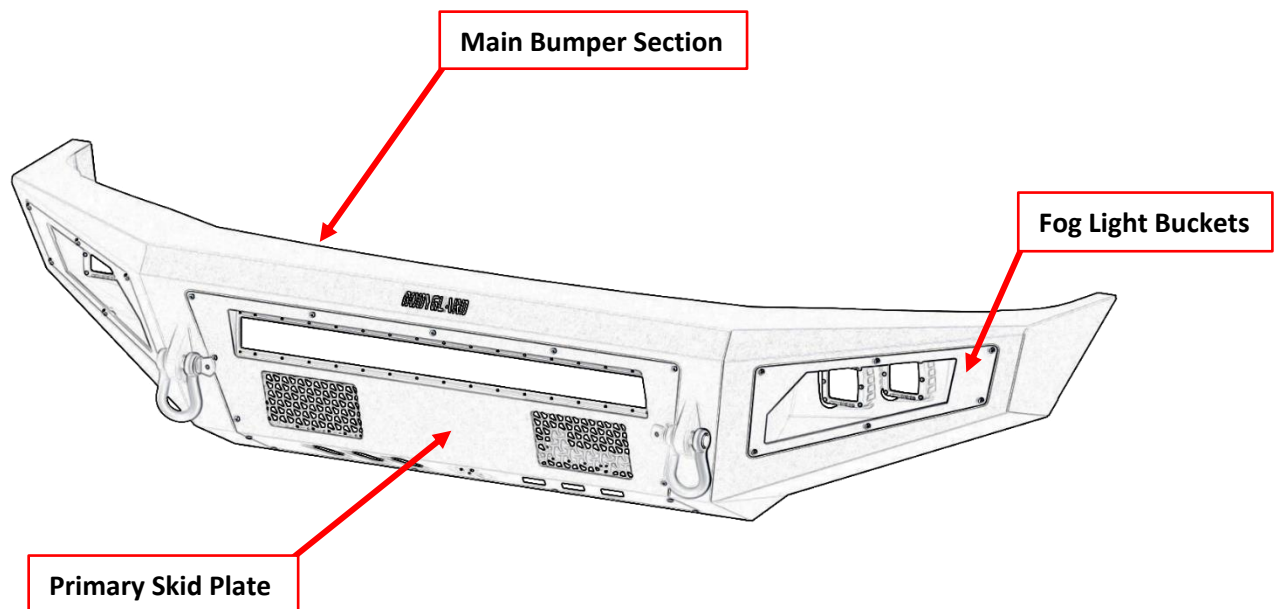
- Ensure personal safety by checking for hazards and identifying risks.
- Check for correct hardware.
- Check for tools needed.
- Use either foam or tape on fenders to prevent scratches to the truck when installing your bumper.
- Please allow approximately 3-4 hours for installation.
- Disconnect the battery.

TOOLS

- 1** - Jack
- 2** - Safety Stands
- 2** - Wheel Chocks
- 1** - Wire Cutters & Wire Crimpers
- 1** - Small Pry Tool
- 1** - Tape measure
- 1** - Pliers
- 1** - Metric Wrenches, allen wrenches, or sockets
- 1** - Level

BUMPER COMPONENTS

- 1** - Main Bumper Section
- 2** - Fog Light Buckets
- 1** - Primary Skid Plate
- 1** - ACC Relocation Bracket (ACC) - Small
- 1** - ACC Relocation Bracket (ACC) - Large



HARDWARE

UNIVERSAL		
A2L-HK-FCS	A2L Front Center Section:	Qty
	1/4-20 x 5/8 Long, Stainless Steel SBHCS	20
	1/4-20 (.093-.126: Panel Range) Zinc Electroplate Spring Steel Cage Nut	20
A2L-HK-FFL	A2L Front Fog Light	Qty
	1/4-20 x 5/8 Long, Stainless Steel SBHCS	15
	1/4-20 (.093-.126: Panel Range) Zinc Electroplate Spring Steel Cage Nut	15
A2L-HK-FLP	A2L Front License Plate	Qty
	Plastic License Plate Nuts	4
	1/4-20 x 3/4 Long, Stainless Steel SBHCS	2
	1/4-20 Hex Grade 5 Serrated Flange Nut, Stainless Steel	4
	#14 x 5/8" Zinc License Plate Screw	4
A2L-HK-FLB	A2L Front Light Bar Mount	Qty
	1/4-20 x 5/8 Long, Stainless Steel SBHCS	6
	1/4-20 Hex Grade 5 Serrated Flange Nut, Stainless Steel	6

A2L-HK-FFH17	A2L Front Mount Kit 2017+ Ford SD	Qty
	3/8"-16 x 1-1/2" Long, Grade 8 HB	10
	3/8" Yellow Zinc Grade 8 Flat Washer	20
	3/8"-16 Zinc Grade 8 Serrated Hex Flange Nut	10
	1/2-13 x 1-1/2 Long, Grade 8 HB Zinc-Yellow	8
	1/2" Washer, Grade 8 Zinc-Yellow	26
	1/2"-13 Grade 8 Steel Serrated Flange Nut Zinc	18
	1/4-20 (.093-.126: Panel Range) Zinc Electroplate Spring Steel Cage Nut	2
	1/2"-13 x 1-1/2" Long, Grade 8 HB, Zinc Double Bolt (1.75")	4
	1/2"-13 x 1-1/2" Zinc Tear Drop Bolt (Hex)	2

W/ Adaptive Cruise Control	1/4-20 x 3/4 Long, Stainless Steel SBHCS	8
	1/4-20 Hex Grade 5 Serrated Flange Nut, Stainless Steel	8
	1/4-20 (.093-.126: Panel Range) Zinc Electroplate Spring Steel Cage Nut	4
	5/16"-18 x 1" Zinc Grade 5 Hex Bolt	6
	5/16"-18 Zinc Grade 8 Serrated Hex Flange Nut	6
	5/16" Zinc Grade 5 Flat Washer	12

BUMPER REMOVAL

1. If equipped; disconnect the fog light wiring harness from behind the front bumper on the driver side.
2. If equipped; Remove the block heater plug from the bumper clip on the passenger side.



3. Remove the (2) bumper brace bolts from the driver and passenger side using the 15mm socket or wrench.
4. Locate the (2) tabs on the front bumper plastic bolt cover on the driver and passenger side, and press the tabs on the top to remove.



5. Support the front bumper before removing the bolts, and using an 18mm socket remove the (4) bolts in the front of the bumper on the driver and passenger side of the vehicle.
6. Remove the nut plate on the back side of the bumper mount when removing the front bolts.



7. Remove the front bumper from the vehicle.
8. Remove the (2) front frame brackets from the driver and passenger side using an 18mm wrench or socket.



CAMERA REMOVAL AND INSTALL *(For optional sport bar only)*

1. Using a pry tool, remove the (14) plastic clips and the plastic shroud will come off.



2. Remove the (8) 10mm bolts and remove the grill by pulling outward on it.

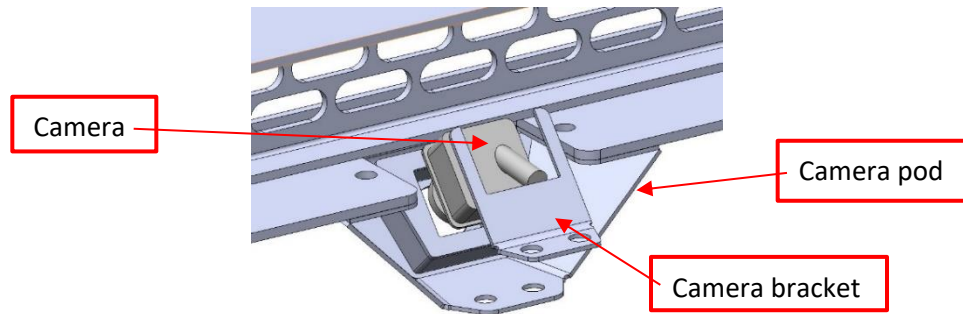


3. Remove the (2) E6 torx bolts and the retaining fixture, unplug and remove the camera.
4. Run the supplied harness down and toward the passenger side. Where it will go under the bumper top plate up through a cut hole in the uprights to the camera mount in the grill.
5. Install the camera into the new bumper and wait to plug in until the bumper installation is completed.

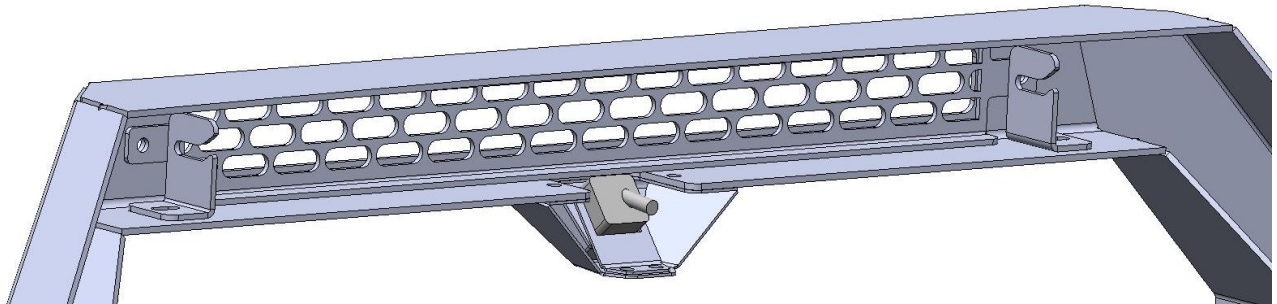


SPORT BAR CAMERA INSTALL *(For optional sport bar only)*

1. Install the camera pod to the sport bar using (2) 1/4"-20 cage nuts and (2) 1/4"-20 x 3/4" BHCS. Then install the camera into the pod and secure with the camera bracket using (2) 1/4"-20 BHCS and flange nuts.

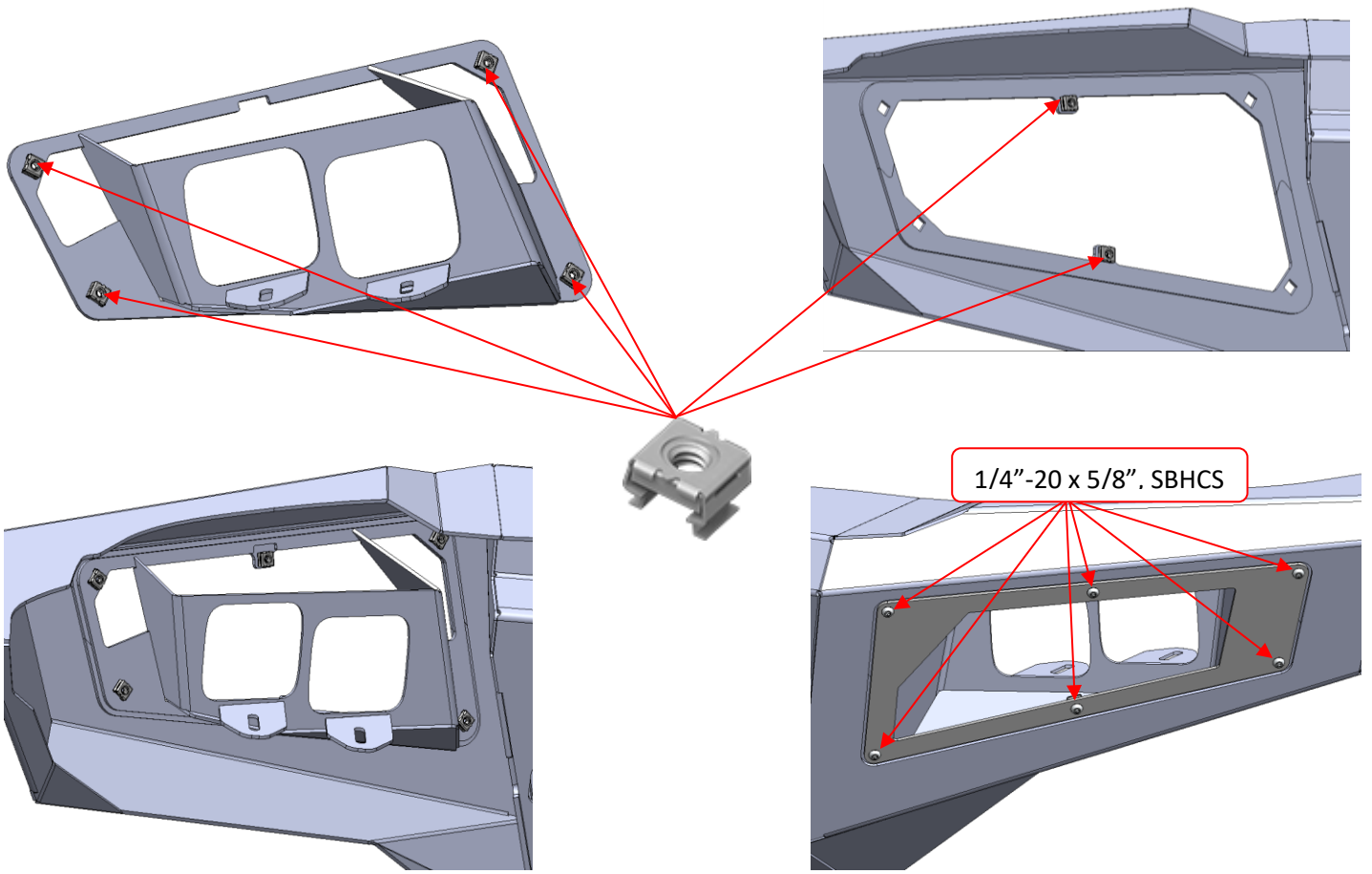


2. Then install the sport bar mesh using 2x 1/4"-20 x 3/4" BHCS and flange nuts. Then install your light bar using the light bar brackets if applicable.



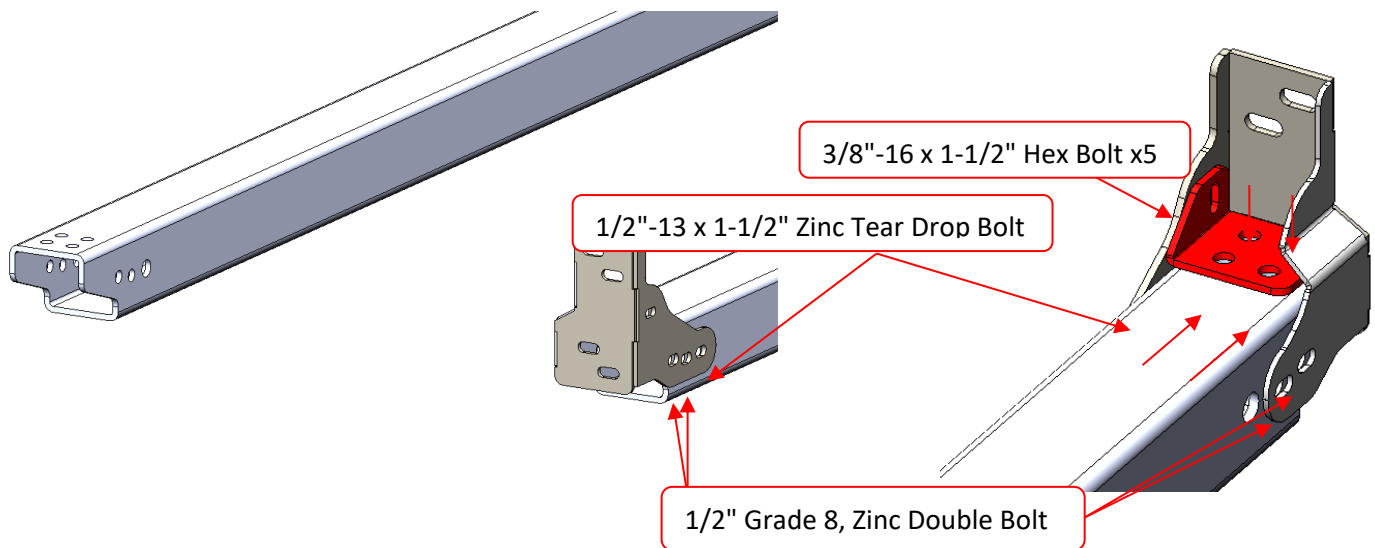
NOTE: If front license plate is required, optional front license plate bracket will need to be purchased with this bumper.

FOG LIGHT INSTALLATION

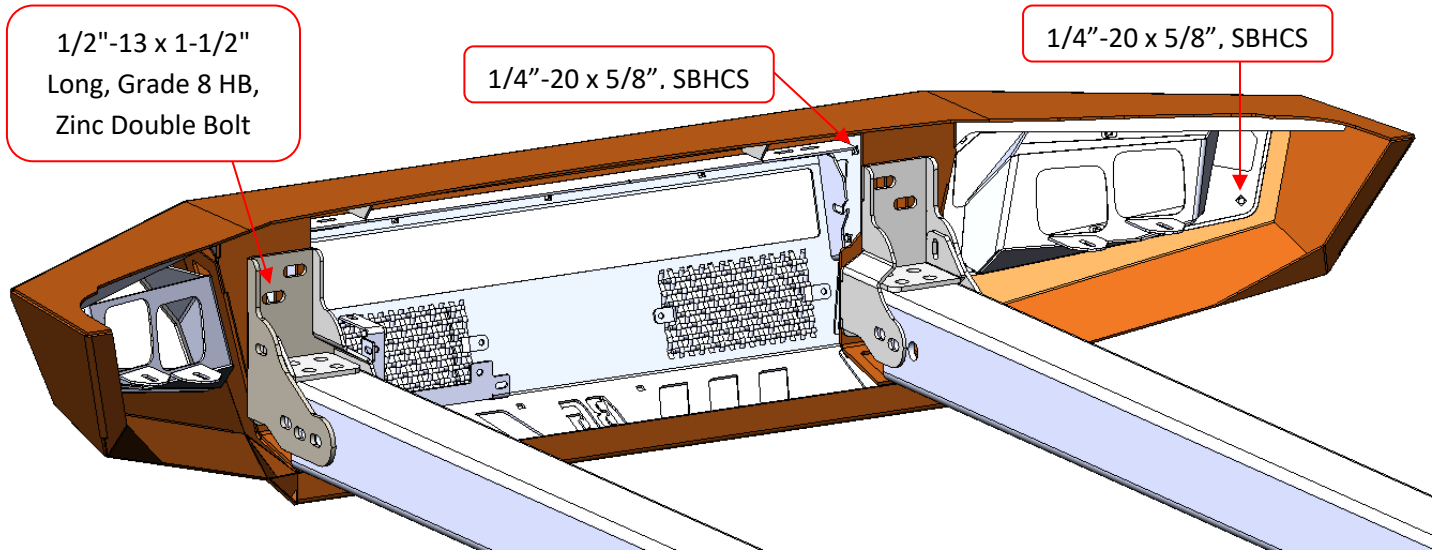


Next insert the fog light bucket into the bumper and secure using 6x 1/4"-20 x 5/8", SBHCS

MOUNT INSTALLATION

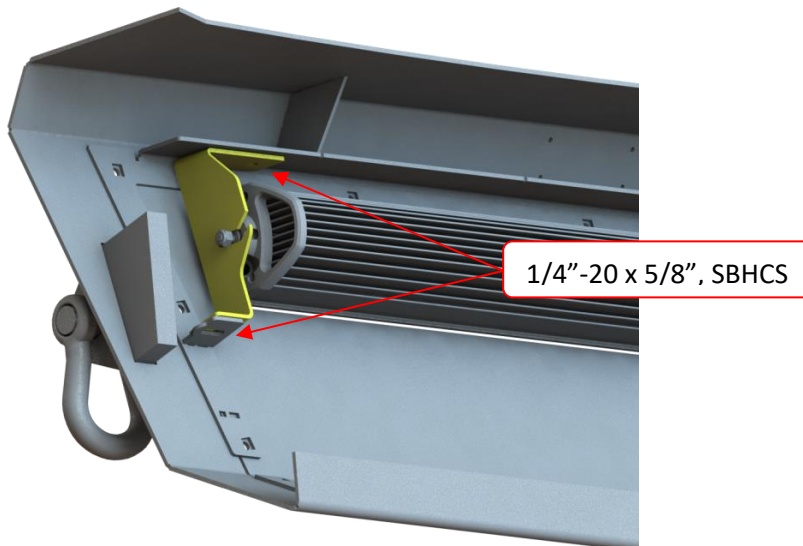


BUMPER INSTALLATION



LIGHT BAR INSTALLATION

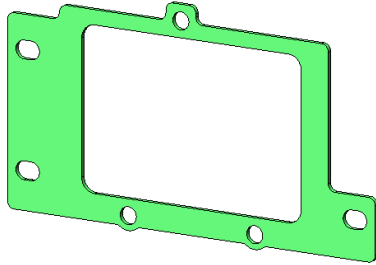
Align the included light bar mounting bracket (*shown in yellow below*) to the inside of the bumper mounting rails. Once the light bar mounting bracket is aligned to the bolt holes on the bumpers mounting rails, attach using the 1/4"-20 x 5/8" bolts. Repeat for the other side. After both light bar mounting brackets are installed, slide the light bar into the slot of the mounting bracket, align as needed, and then tighten the nuts down firmly.

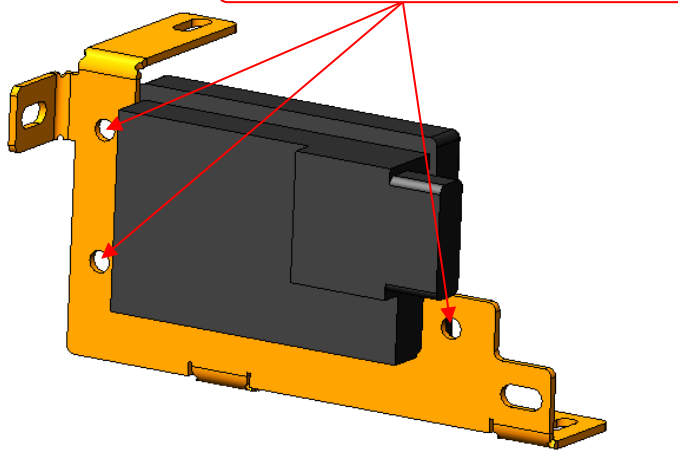
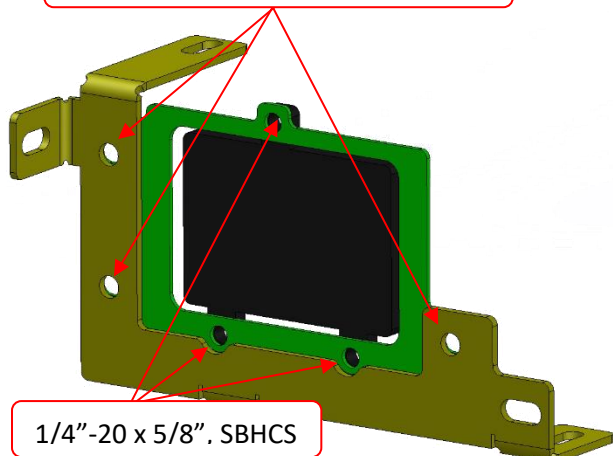


ACC MODULE INSTALLATION

Some vehicles are equipped with an Adaptive Cruise Control unit (ACC). The following steps will show you how to install the unit into your bumper.

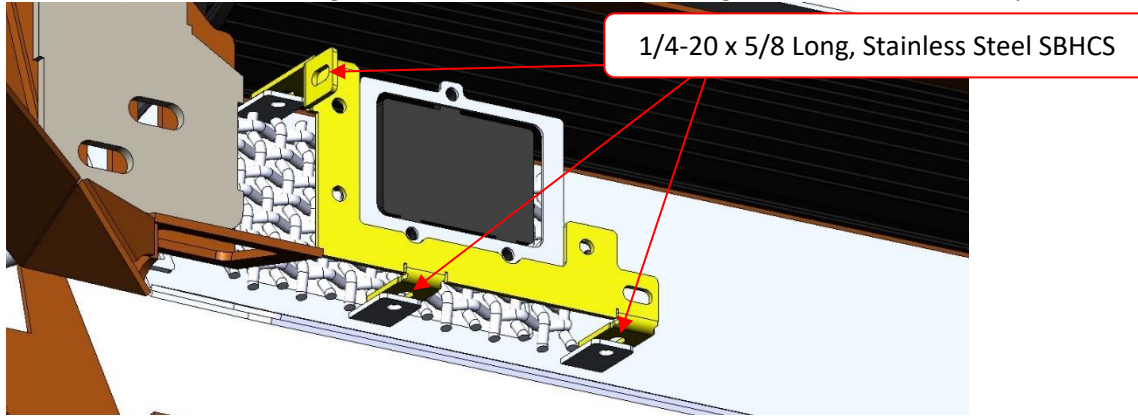
1. We send an additional bracket shown in green. This will be used as an adapter bracket for the smaller version of the ACC module.



Large ACC Module Install	Small ACC Module Install
 <p data-bbox="324 777 787 829">5/16"-18 x 1" Zinc Grade 5 Hex Bolt</p>	 <p data-bbox="893 777 1356 829">5/16"-18 x 1" Zinc Grade 5 Hex Bolt</p> <p data-bbox="860 1228 1169 1281">1/4"-20 x 5/8", SBHCS</p>
<p data-bbox="105 1354 706 1428">1. Install 3x (5/16"-18 x 1" Zinc Grade 5 Hex Bolt) Securing the Large ACC unit to the bracket.</p>	<p data-bbox="820 1354 1421 1459">1. Install 3x (5/16"-18 x 1" Zinc Grade 5 Hex Bolt) Securing the adapter bracket to the large ACC unit bracket.</p> <p data-bbox="820 1491 1477 1564">2. Install 3x (1/4"-20 x 5/8 Long, Stainless Steel SBHCS) Securing the Small ACC unit to the adapter bracket.</p>

Note: Some slots on this bracket will not be used for this install. This is a universal ACC bracket used on several different models.

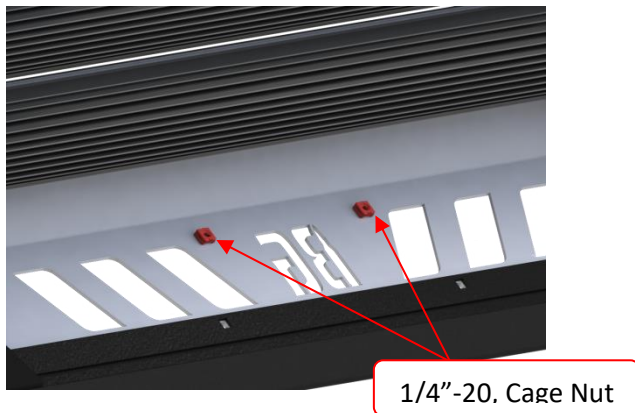
2. Install 3x (1/4-20 x 5/8 Long, Stainless Steel SBHCS) Securing the bracket to the skid plate.



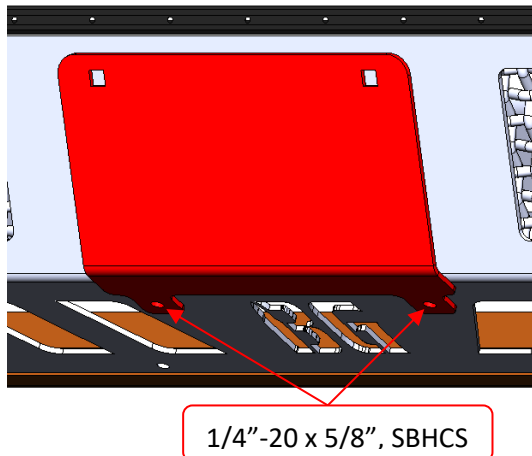
3. Next Connect the ACC unit back to the factory wiring harness.
Note: It may take up to 50 miles for the ACC unit to calibrate itself.

LICENSE PLATE INSTALLATION

1. Install two 1/4"-20 Clip Nuts into square holes on each side of BG logo.



2. Then install license plate bracket to skid plate using two 1/4"-20 x 5/8" button head screws



FINISHING UP

- Install shackles.
- Confirm that all hardware is tightened and everything is secure.
- Secure wiring harnesses for lights and sensors.
- Reconnect the battery.
- Test all lighting and wiring before using vehicle (fog lights, sensors, etc.).

MAINTENANCE

- Periodically check that all hardware is tightened and that all wiring and connections are secure.
- Periodically check that all sensor plugs are secure.
- Routinely wash bumper to maintain the powder coat finish.

FEEDBACK

We'd love to hear from you!

Please send your pictures, testimonials, comments, or suggestions to us by email at info@bodyguardbumpers.com. We frequently use customer pictures for brochures and marketing materials, and we always welcome customer feedback to ensure quality improvements within our company. Thanks for your purchase; we appreciate your business very much!

Where **STRENGTH** Meets *Style!*™



@BodyguardBumpers