

# Installation Instructions

## A2L Series – Front Replacement 2011-2016 Ford F250/F350 SD



Where **STRENGTH** Meets *Style!*™

### I. SAFETY

#### THE SAFETY OF YOU AND OTHERS IS VERY IMPORTANT TO US!

In order to minimize this risk and make an informed decision about safety, it is important that you carefully read and follow the installation instructions we have provided.

We urge you to use your own good judgment and allow plenty of time for install.

### II. HAZARD CHECKLIST

- Always wear personal protective equipment (PPE) such as: protective eye wear, gloves, close toed shoes, etc.
- We recommend that you use a certified mechanic or shop for professional installation.
- Always set emergency brakes on vehicle and use tire blocks to ensure vehicle stabilization.
- Use caution when lifting, we recommend the use of equipment to help lift bumpers into place.
- Use caution when using power tools such as air ratchet, etc.
- Take caution when installing wiring.
- Perform regular inspections of hardware, bolts, brackets, etc.
- Rigid light brackets are specifically designed to fit Rigid lights, we do not guarantee off brand fitment.
- Our winch mount is designed for Warn and Superwinch products. We do not guarantee off brand fitment.

### III. USE & RISK

Bodyguard Products LLC is not responsible for damage to our products, or other subsequent damage that might occur, as a result of misuse or improper installation. While we do manufacture products that appear stronger than factory parts, our products should not be viewed or relied upon as life-saving devices in the event of a collision or rollover. We make no claims relating to airbag compatibility, crashworthiness, or sturdiness. It is the customer's responsibility to check with the vehicle manufacturer or auto dealer regarding airbag compatibility and automobile manufacturer's warranty before installing our products.

### IV. PREPARATION

- Ensure personal safety by checking for hazards and identifying risks.
- Check for correct hardware.
- Check for tools needed.
- Use either foam or tape on fenders to prevent scratches to the truck when installing your bumper.
- Please allow approximately 3-4 hours for installation.

# Installation Instructions

## A2L Series – Front Replacement 2011-2016 Ford F250/F350 SD

### V. Hardware Kit

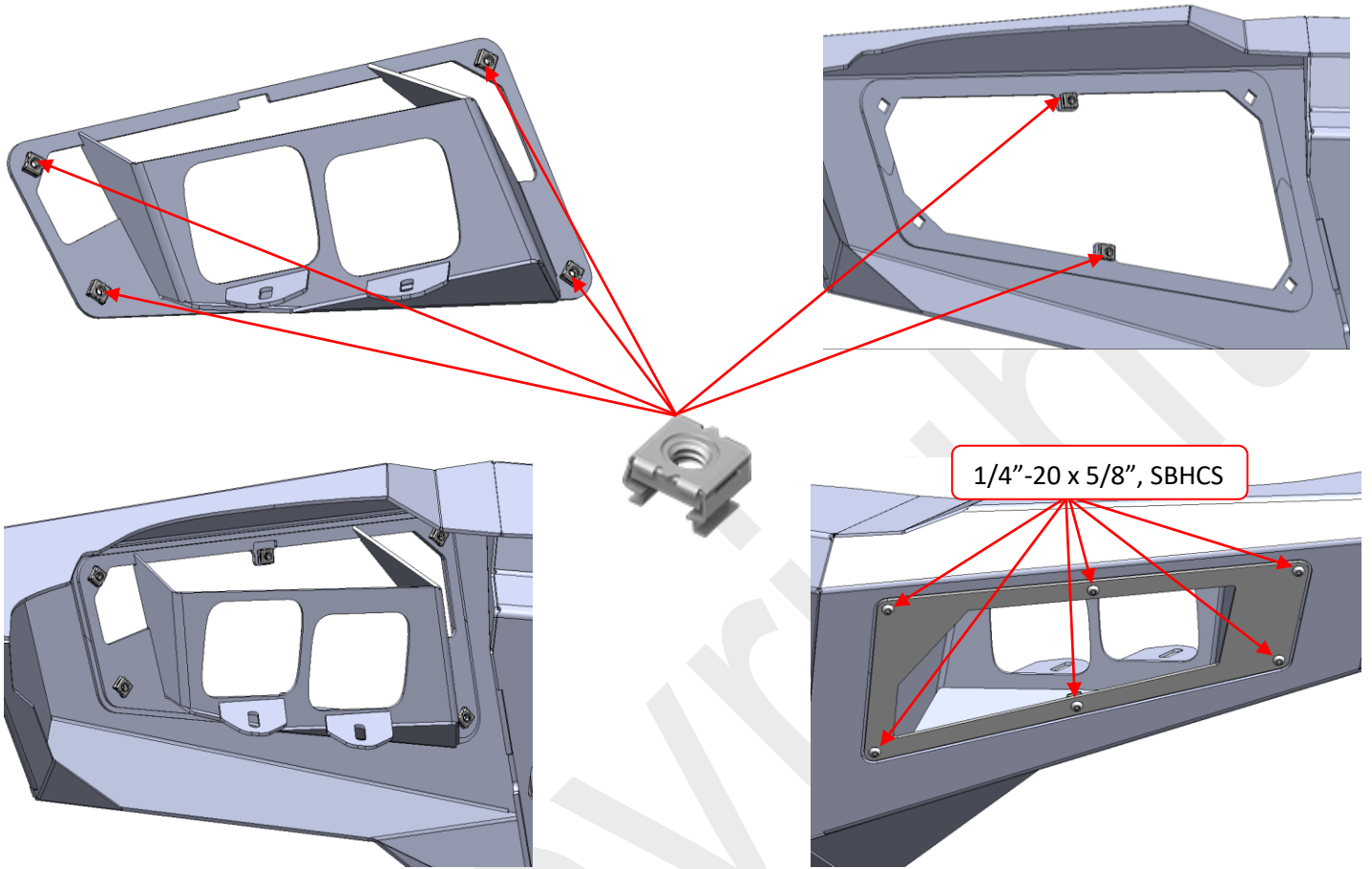
UNIVERSAL		
A2L-HK-FCS	<b>A2L Front Center Section:</b>	<b>Qty</b>
	1/4-20 x 5/8 Long, Stainless Steel SBHCS	20
	1/4-20 (.093-.126: Panel Range) Zinc Electroplate Spring Steel Cage Nut	20
A2L-HK-FFL	<b>A2L Front Fog Light</b>	<b>Qty</b>
	1/4-20 x 5/8 Long, Stainless Steel SBHCS	15
	1/4-20 (.093-.126: Panel Range) Zinc Electroplate Spring Steel Cage Nut	15
A2L-HK-FLP	<b>A2L Front License Plate</b>	<b>Qty</b>
	Plastic License Plate Nuts	4
	1/4-20 x 3/4 Long, Stainless Steel SBHCS	2
	1/4-20 Hex Grade 5 Serrated Flange Nut, Stainless Steel	4
	#14 x 5/8" Zinc License Plate Screw	4
A2L-HK-FLB	<b>A2L Front Light Bar Mount</b>	<b>Qty</b>
	1/4-20 x 5/8 Long, Stainless Steel SBHCS	6
	1/4-20 Hex Grade 5 Serrated Flange Nut, Stainless Steel	6

A2L-HK-FFH11	<b>A2L Front Mount Kit 2011+ Ford SD</b>	<b>Qty</b>
	1/2-13 x 1-1/2 Long, Grade 8 HB Zinc-Yellow	8
	1/2" Washer, Grade 8 Zinc-Yellow	26
	1/2"-13 Grade 8 Steel Serrated Flange Nut Zinc	18
	1/2"-13 x 1-1/2" Zinc Tear Drop Bolt (Hex)	2
	1/2"-13 x 1-1/2" Long, Grade 8 HB, Zinc Double Bolt (1.75")	4
	3/8"-16 x 1-1/2" Long, Grade 8 HB, Zinc Triple Bolt	2
	3/8" Yellow Zinc Grade 8 Flat Washer	6
	3/8"-16 Zinc Grade 8 Serrated Hex Flange Nut	6
	7/16"-14 x 1-1/4" Yellow Zinc Grade 8 Bolt	2
	7/16"-14 Zinc Grade 8 Serrated Hex Flange Nut	2
	7/16" Yellow Zinc Grade 8 Flat Washer	4

# Installation Instructions

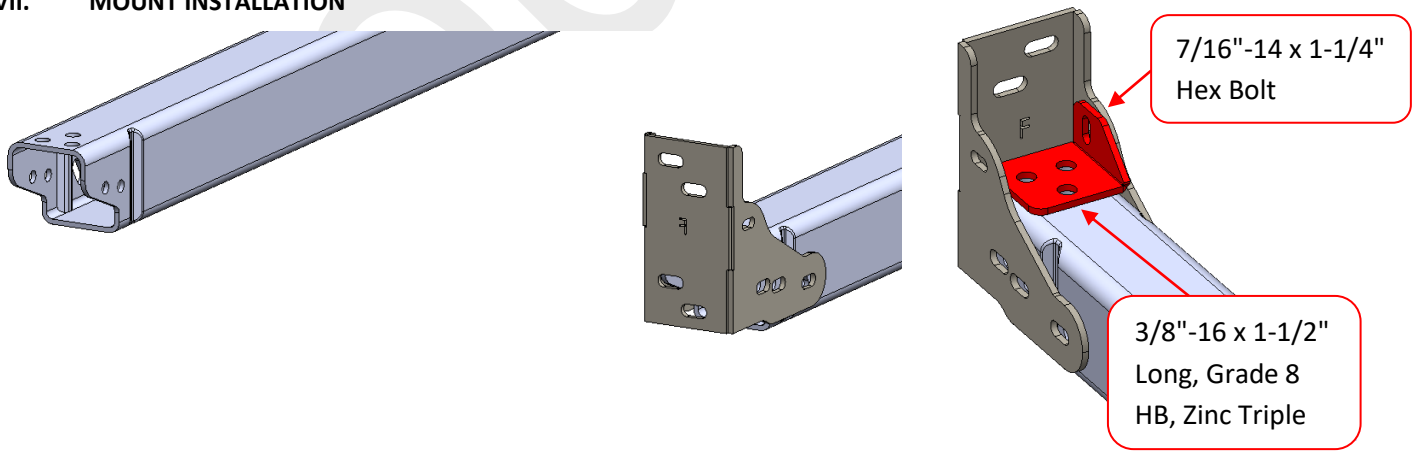
**A2L Series – Front Replacement  
2011-2016 Ford F250/F350 SD**

## VI. Fog Light Installation



Next insert the fog light bucket into the bumper and secure using 6x 1/4"-20 x 5/8", SBHCS

## VII. MOUNT INSTALLATION

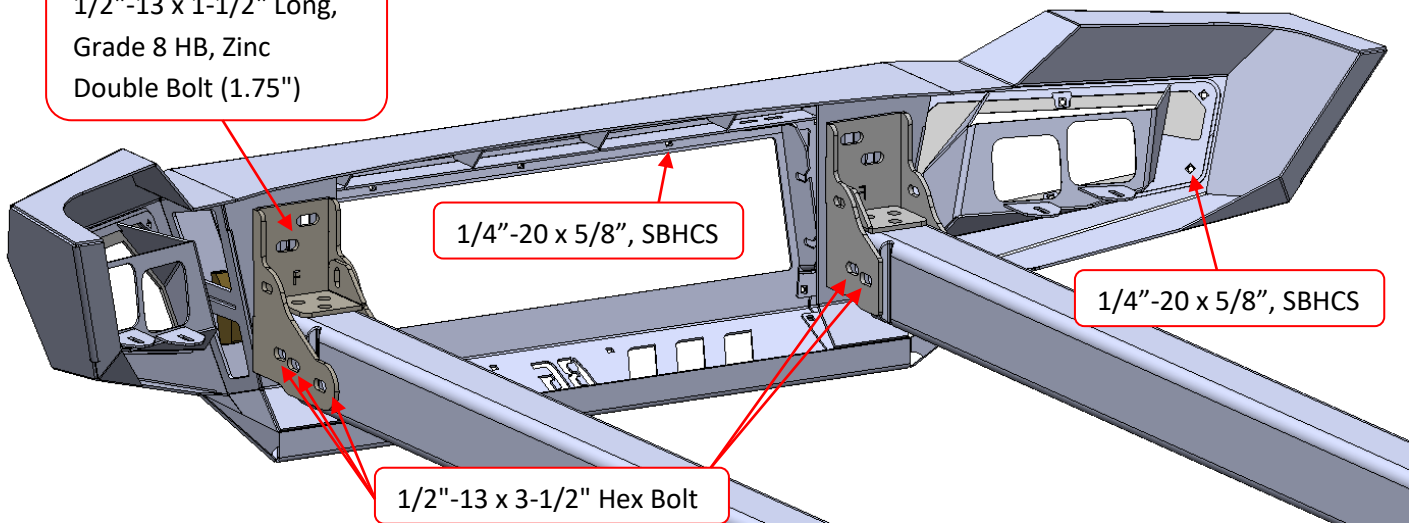


# Installation Instructions

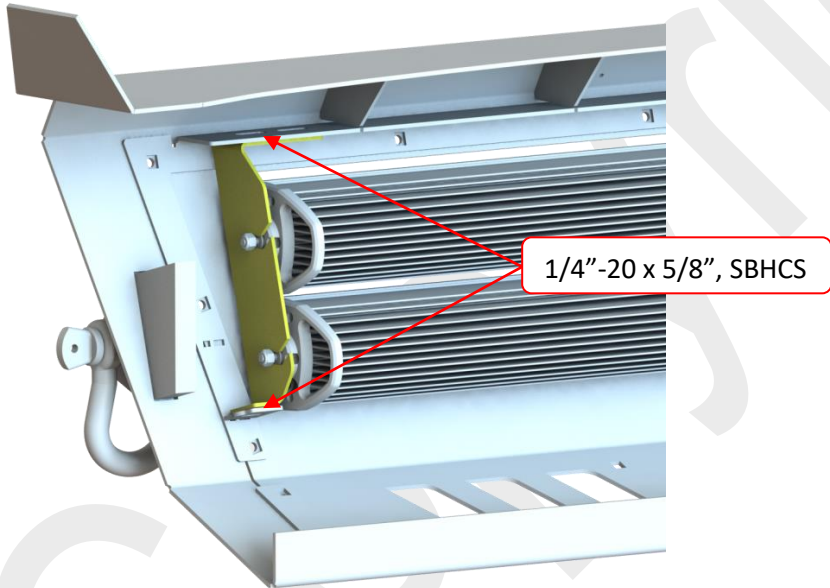
## A2L Series – Front Replacement 2011-2016 Ford F250/F350 SD

### VIII. BUMPER INSTALLATION

1/2"-13 x 1-1/2" Long,  
Grade 8 HB, Zinc  
Double Bolt (1.75")



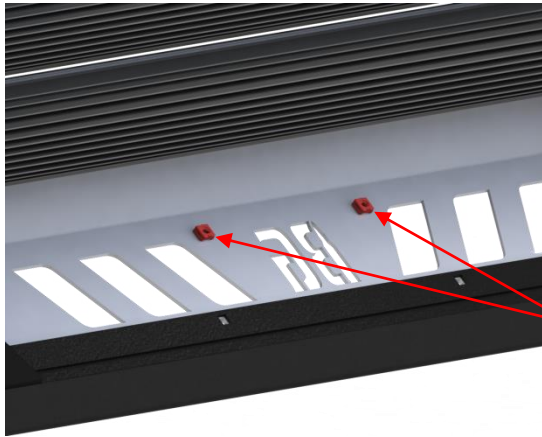
### IX. Light Bar Install



### X. License Plate Install

# Installation Instructions

**A2L Series – Front Replacement  
2011-2016 Ford F250/F350 SD**



1/4"-20, Cage Nut

1. Install two 1/4"-20 Clip Nuts into square holes on each side of BG logo



1/4"-20 x 5/8", SBHCS

2. Then install license plate bracket to skid plate using two 1/4"-20 x 5/8" button head screws

## XI. FINISHING UP

- Install shackles.
- Confirm that all hardware is tightened and everything is secure.
- Secure wiring harnesses for lights and sensors.
- Test all lighting and wiring before using vehicle (fog lights, sensors, etc.).

## XII. MAINTENANCE

- Frequently check that all hardware is tightened and that all wiring and connections are secure.

## FEEDBACK

We'd love to hear from you! Please send your pictures, testimonials, comments, or suggestions to us by email at [info@bodyguardbumpers.com](mailto:info@bodyguardbumpers.com). We frequently use customer pictures for brochures and marketing materials, and we always welcome customer feedback to ensure quality improvements within our company. Thanks for your purchase; we appreciate your business very much!

**Where STRENGTH Meets *Style!*™**