

Installation Instructions

**A2L Series – Front Replacement
2015-2019 Chevy 2500/3500 HD**



Where STRENGTH Meets *Style!*™

I. SAFETY

THE SAFETY OF YOU AND OTHERS IS VERY IMPORTANT TO US!

In order to minimize this risk and make an informed decision about safety, it is important that you carefully read and follow the installation instructions we have provided.

We urge you to use your own good judgment and allow plenty of time for install.

II. HAZARD CHECKLIST

- Always wear personal protective equipment (PPE) such as: protective eye wear, gloves, close toed shoes, etc.
- We recommend that you use a certified mechanic or shop for professional installation.
- Always set emergency brakes on vehicle and use tire blocks to ensure vehicle stabilization.
- Use caution when lifting, we recommend the use of equipment to help lift bumpers into place.
- Use caution when using power tools such as air ratchet, etc.
- Take caution when installing wiring.
- Perform regular inspections of hardware, bolts, brackets, etc.
- Rigid light brackets are specifically designed to fit Rigid lights, we do not guarantee off brand fitment.
- Our winch mount is designed for Warn and Superwinch products. We do not guarantee off brand fitment.

III. USE & RISK

Bodyguard Products LLC is not responsible for damage to our products, or other subsequent damage that might occur, as a result of misuse or improper installation. While we do manufacture products that appear stronger than factory parts, our products should not be viewed or relied upon as life-saving devices in the event of a collision or rollover. We make no claims relating to airbag compatibility, crashworthiness, or sturdiness. It is the customer's responsibility to check with the vehicle manufacturer or auto dealer regarding airbag compatibility and automobile manufacturer's warranty before installing our products.

IV. PREPARATION

- Ensure personal safety by checking for hazards and identifying risks.
- Check for correct hardware.
- Check for tools needed.
- Use either foam or tape on fenders to prevent scratches to the truck when installing your bumper.
- Please allow approximately 3-4 hours for installation.

Installation Instructions

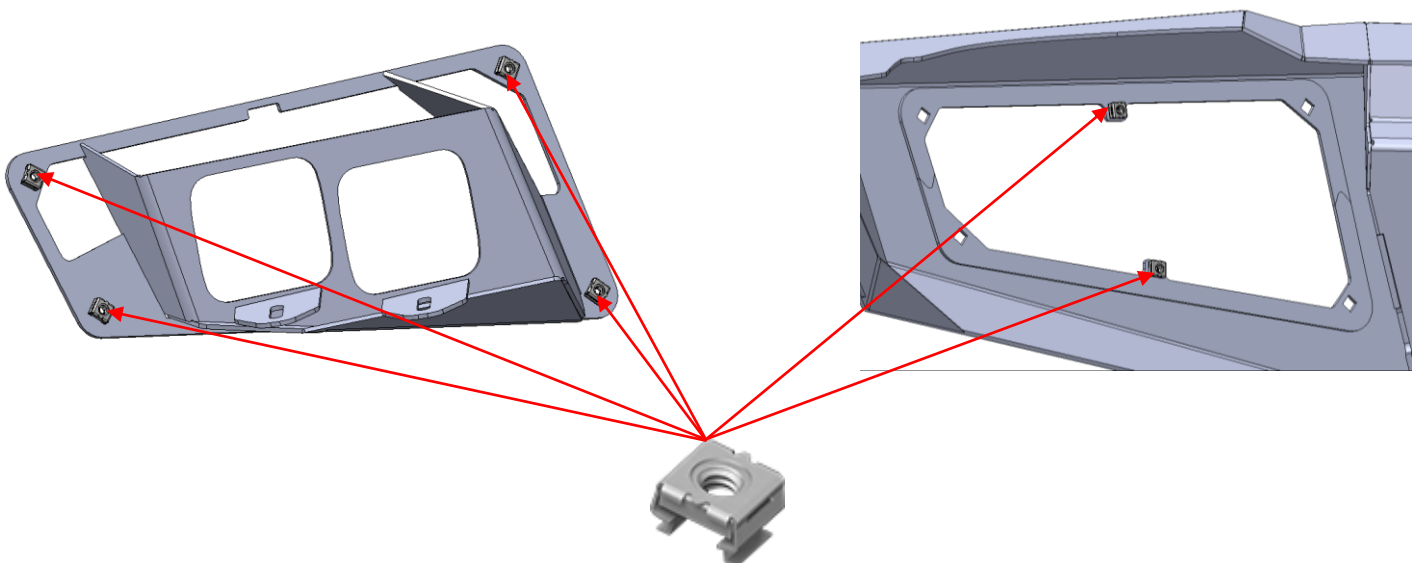
**A2L Series – Front Replacement
2015-2019 Chevy 2500/3500 HD**

V. Hardware Kit

UNIVERSAL		
A2L-HK-FCS	A2L Front Center Section:	Qty
	1/4-20 x 5/8 Long, Stainless Steel SBHCS	20
	1/4-20 (.093-.126: Panel Range) Zinc Electroplate Spring Steel Cage Nut	20
A2L-HK-FFL	A2L Front Fog Light	Qty
	1/4-20 x 5/8 Long, Stainless Steel SBHCS	15
	1/4-20 (.093-.126: Panel Range) Zinc Electroplate Spring Steel Cage Nut	15
A2L-HK-FLP	A2L Front License Plate	Qty
	Plastic License Plate Nuts	4
	1/4-20 x 3/4 Long, Stainless Steel SBHCS	2
	1/4-20 Hex Grade 5 Serrated Flange Nut, Stainless Steel	4
	#14 x 5/8" Zinc License Plate Screw	4
A2L-HK-FLB	A2L Front Light Bar Mount	Qty
	1/4-20 x 5/8 Long, Stainless Steel SBHCS	6
	1/4-20 Hex Grade 5 Serrated Flange Nut, Stainless Steel	6

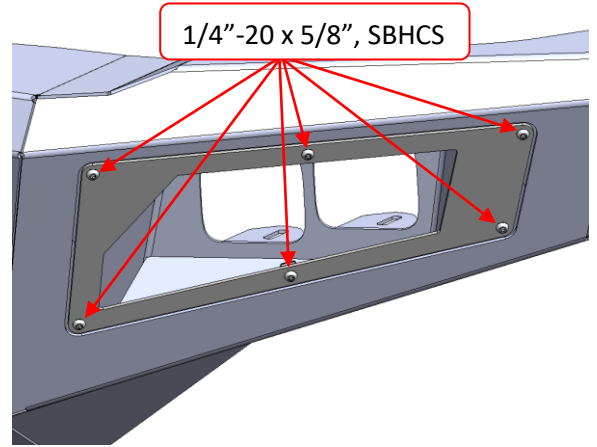
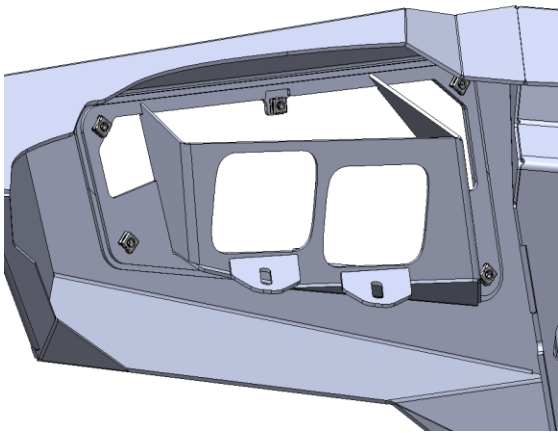
A2L-HK-GFH15	A2L Front Mount Kit 2015+ GM HD	Qty
	Will use factory bolts to bolt mounts to bumper	
	1/2"-13 x 1-1/2" Zinc Tear Drop Bolt (Hex)	8
	1/2" Washer, Grade 8 Zinc-Yellow	8
	1/2"-13 Grade 8 Steel Serrated Flange Nut Zinc	8
	Sensor Brackets (Chevy Part #22947028) ONLY ON 15+ CHEVY	2

VI. Fog Light Installation



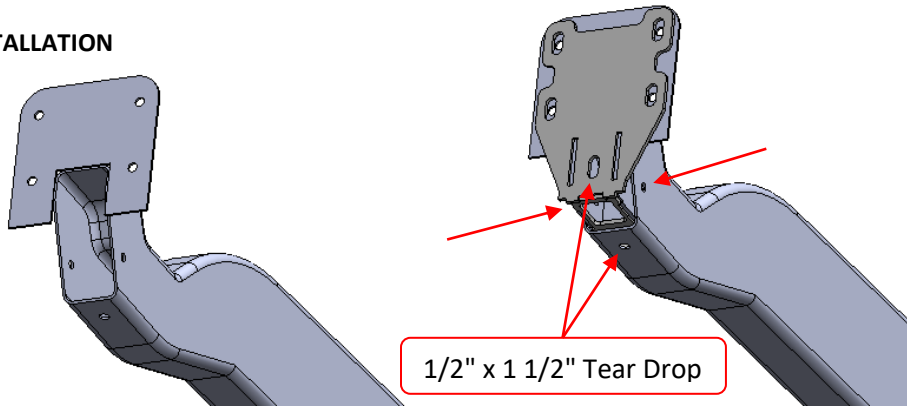
Installation Instructions

**A2L Series – Front Replacement
2015-2019 Chevy 2500/3500 HD**

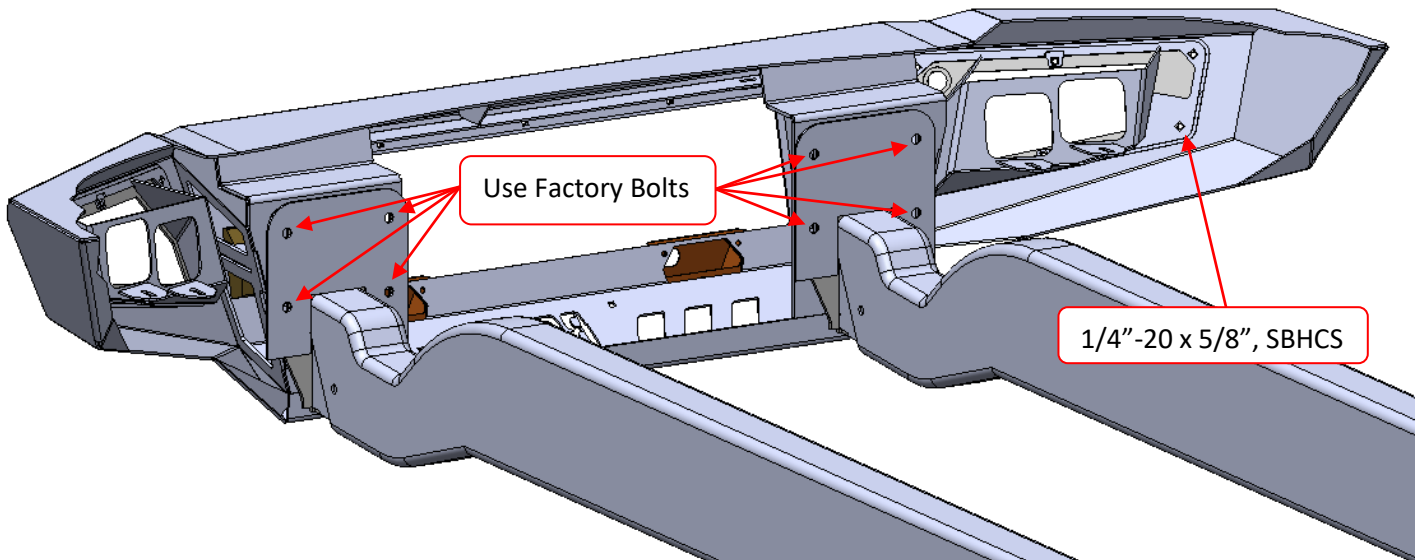


Next insert the fog light bucket into the bumper and secure using 6x 1/4"-20 x 5/8", SBHC

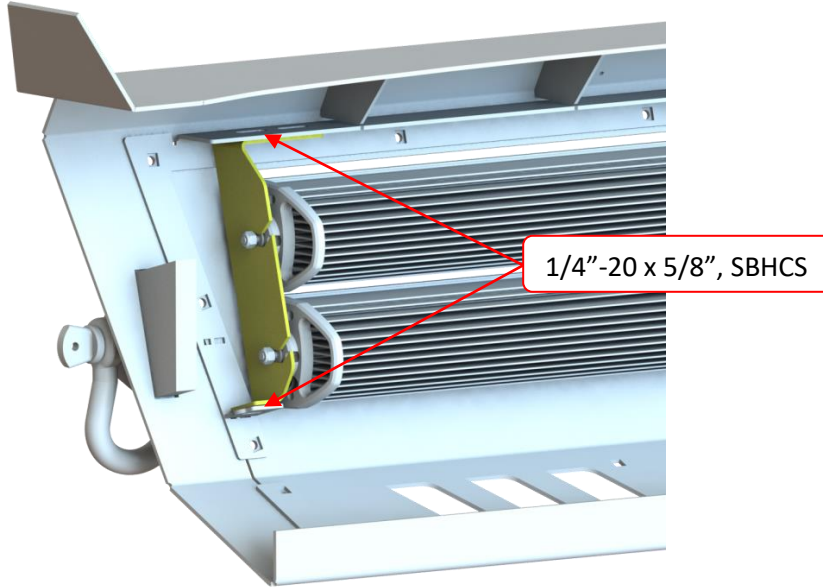
VII. MOUNT INSTALLATION



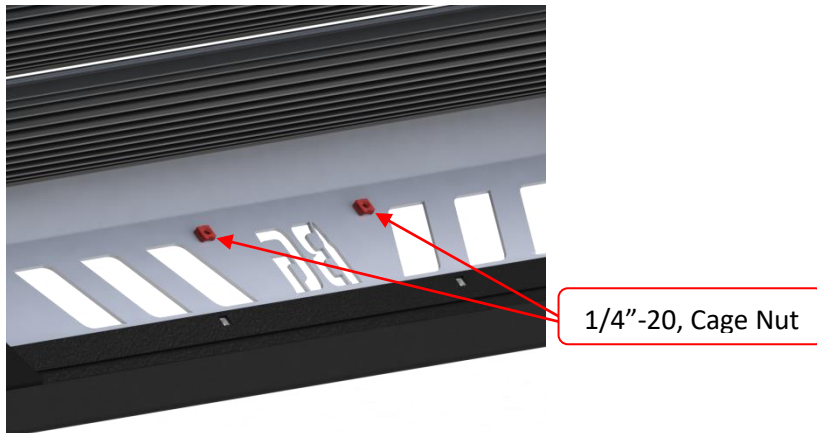
VIII. BUMPER INSTALLATION



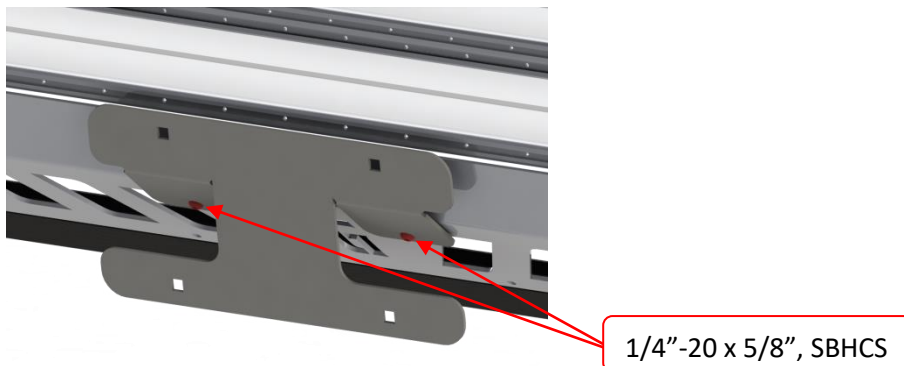
IX. Light Bar Install



X. License Plate Install



1. Install two 1/4"-20 Clip Nuts into square holes on each side of BG logo



2. Then install license plate bracket to skid plate using two 1/4"-20 x 5/8" button head screws



Installation Instructions

A2L Series – Front Replacement 2015-2019 Chevy 2500/3500 HD

XI. FINISHING UP

- Install shackles.
- Confirm that all hardware is tightened and everything is secure.
- Secure wiring harnesses for lights and sensors.
- Test all lighting and wiring before using vehicle (fog lights, sensors, etc.).

XII. MAINTENANCE

- Frequently check that all hardware is tightened and that all wiring and connections are secure.

FEEDBACK

We'd love to hear from you! Please send your pictures, testimonials, comments, or suggestions to us by email at info@bodyguardbumpers.com. We frequently use customer pictures for brochures and marketing materials, and we always welcome customer feedback to ensure quality improvements within our company. Thanks for your purchase; we appreciate your business very much!

Where STRENGTH Meets *Style!*™