



# Installation Instructions

## Added Support Bracket

Product Number: H195X

Application: 09'-14' F150

## SAFETY

### Your safety and the safety of others is very important.

- In order to help you make informed decisions about safety, we have provided installation instructions and other information.
- These instructions alert you to potential hazards that could hurt you or others.
- Please do a job safety analysis (JSA) before each task to identify potential hazards for your situation and remove/protect against them.
- You must use your own good judgment, and take your time.

**Read and understand all safety precautions and instructions before installing this product.**

**THIS PRODUCT IS FOR OFFROAD USE ONLY. ALL LIABILITY FOR  
INSTALLATION AND USE RESTS WITH THE OWNER.**

**CARELESS INSTALLATION AND OPERATION CAN RESULT IN SERIOUS INJURY  
OR EQUIPMENT DAMAGE.**

**SENSORS FIELD OF VIEW WILL BE ALTERED WITH USE OF THE  
REPLACEMENT BUMPER.**

## Injury hazard

### Failure to observe these instructions could lead to severe injury or death.

- Always** remove jewelry and wear eye protection.
- Always** use extreme caution when jacking up a vehicle for work. Set emergency brake and use tire blocks. Locate and use the vehicle manufacturers designated lifting points. Use jack stands.
- Always** use appropriate and adequate care in lifting components into place.
- Always** insure components will remain secure during installation and operation.
- Always** wear safety glasses when installing this kit. A drilling operation will cause flying metal chips. Flying chips can cause serious eye injury.
- Always** use extreme caution when drilling on a vehicle. Thoroughly inspect the area to be drilled (on both sides of material) prior to drilling, and relocate any objects that may be damaged.
- Always** use extreme caution when cutting and trimming during fitting.
- Always** tighten all nuts and bolts securely per installation instructions.
- Always** route electrical cables carefully. Avoid moving parts, components that become hot and rough or sharp edges.
- Always** insulate and protect all exposed wiring and electrical terminals.
- Always** perform regular inspections and maintenance on mounts and related hardware.



## Installation Instructions

### Added Support Bracket

Product Number: H195X

Application: 09'-14' F150

#### **I. Bracket Installation**

1. These brackets are installed during steps 1-5 of the H195X bumper installation.
2. During step 3 you will not use the provided backing plate. You will just affix factory nut plate straight to bumper bracket.
3. Once brackets are aligned during step 4 you will slide the added support bracket over frame on the backside of factory mounting flange.
4. During step 5 the 1/2" hardware will be replaced by the provided 1/2"x2" bolts. Make sure the hardware is installed as shown below.
5. You can now continue on with the H195X bumper installation portion of the manual.

**Below are images of added support bracket installation.**

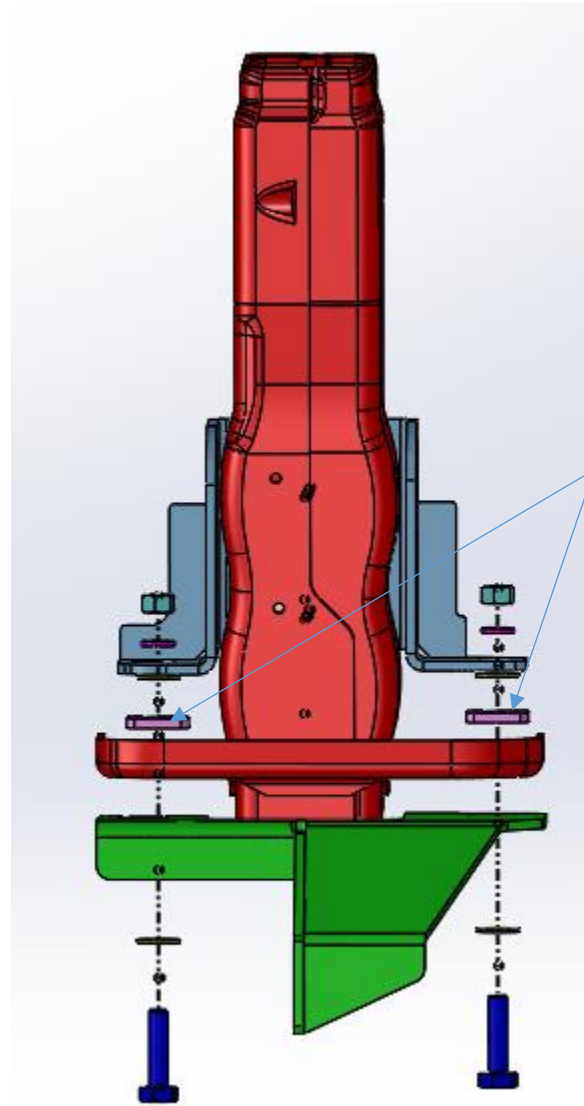


# Installation Instructions

## Added Support Bracket

Product Number: H195X

Application: 09'-14' F150



Provided 1/4" spacer.

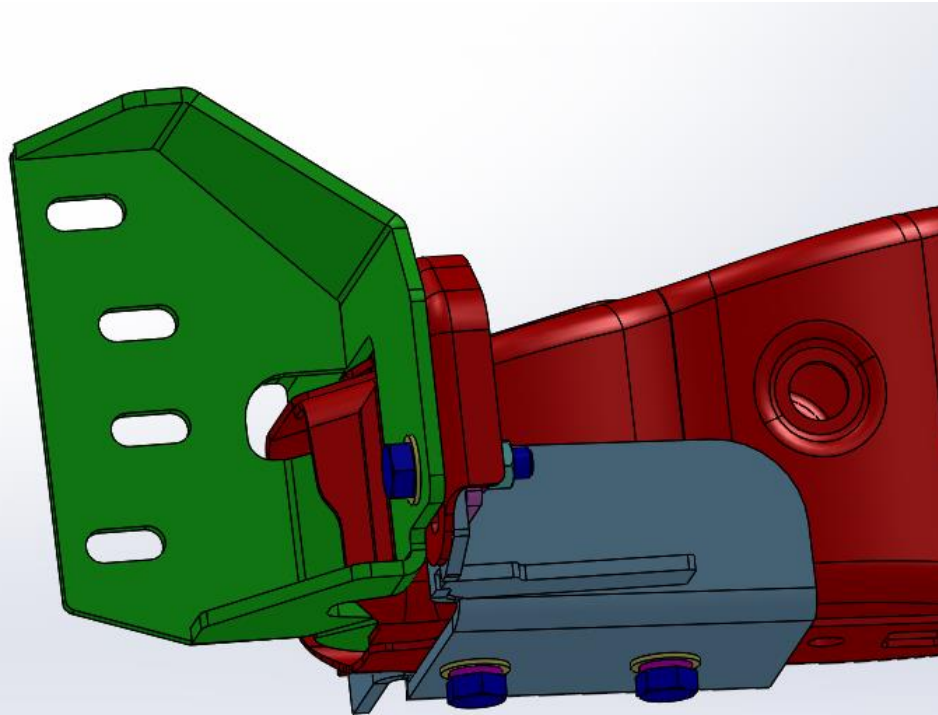
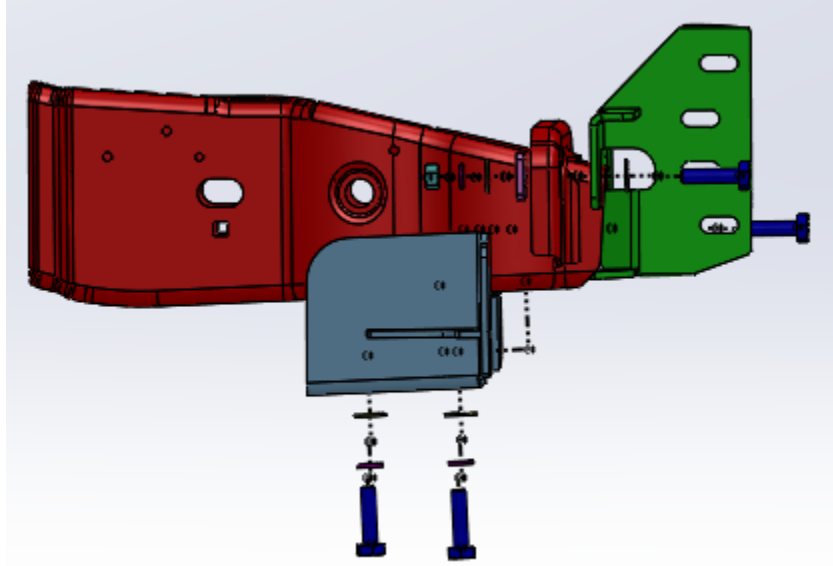


# Installation Instructions

## Added Support Bracket

Product Number: H195X

Application: 09'-14' F150





## Installation Instructions

### Added Support Bracket

Product Number: H195X

Application: 09'-14' F150

## II. Maintenance/Care

- Periodically check and tighten all fasteners.
- Stripped, fractured, or bent bolts or nuts need to be replaced.
- Keep all surfaces free of dirt, road grime, and standing water to ensure finish longevity.

## III. Contact Information

Fab Fours Inc.  
2213 Industrial Park Rd.  
Lancaster, SC 29720

Phone (866)-385-1905  
Fax (866)-574-1424  
Email [Support@fabfours.com](mailto:Support@fabfours.com)



More than expected... Better than expected