



# INSTALLATION GUIDE

## 2022-23/CHEVY SILVERADO ZR2

### STEALTH FIGHTER FRONT BUMPER & WINCH KIT

F120083030103, AC12156601NA



#### TOOLS REQUIRED

- (Sockets) 7/16, 9/16, 5/8, 3/4, 10mm, 13mm, 15mm
- (Box end wrenches) 7/16, 9/16, 5/8, 3/4, 10mm, 13mm, 15mm
- (Allen wrenches) 5/32, 7/32
- (Torx) T15
- Grinder
- Fastener remover or flathead screwdriver
- Zip ties
- Ratchet
- Razor/scissors



#### SKILL LEVEL

-Medium/Moderate

**\*\*This installation requires 2 people for best results\*\***



#### TIME REQUIRED

- 2 hours for OEM Removal/Bumper Install
- 1 Additional Hour for Wiring

**\*\*Labor Rates are based on a vehicle with no pre-existing damage. Wiring labor is based on a standard wiring procedure with light switches installed in an easily accessible location. Custom light triggering or switch mounting location will result in a greater labor charge.\*\***



#### INCLUDED IN KIT

- |                                   |                               |
|-----------------------------------|-------------------------------|
| (4) 3/8-16 X 1 1/4" Hex Head Bolt | (8) 1/2-13" Nylon Lock Nut    |
| (4) 3/8" Fender Washer            | (8) 1/2" Flat Washer          |
| (4) 3/8-16" Standard U-Nut        | (4) 1/2-20" Nylon Lock Nut    |
| (6) 3/8-16 X 1" Button Head Bolt  | (8) 1/4" Flat Washer          |
| (6) 3/8" Flat washer              | (8) 1/4-20" Nylon Lock Nut    |
| (6) 3/8-16" Extruded U-Nut        | (8) 1/4-20 X 3/4" Button Head |
| (8) 1/2-13 X 1 1/2" Hex Head Bolt | (4) 1/2-20 X 4" Hex Head Bolt |
| (16) 1/2" Flat Washer             |                               |

## ⚠️ WARNINGS/CAUTIONS BEFORE STARTING INSTALLATION ⚠️

#### -BEFORE YOU INSTALL THIS KIT-

Read and understand all instructions, warnings, cautions, & notes contained in this installation instruction guide. Consult your vehicle owner's manual for proper disconnection of electrical and lifting of vehicle if required for installation of this product.

This install may require some technical skills and knowledge of basic mechanical work. If you do not feel that you are capable of performing this install please take this product to a trained professional.

After reading this guide please contact us with any questions or concerns before installing product.  
Customer Service (480) 671-0820

Addictive desert designs is *not* responsible for any bodily injury or harm to you or your vehicle as a result of an improper install.

Proper installation of this kit required knowledge of the factory recommended procedures for removal and installation of original equipment components.

We recommend that the factory shop manual and any special tools needed to service your vehicle be on hand during the installation. Installation of this kit without proper knowledge of the factory recommended procedures may affect the performance of these components and the safety of the vehicle.

Inspect all contents of this package to make sure product is not damaged and all installation hardware has been included. If parts are missing from kit, please be prepared to provide the following information:

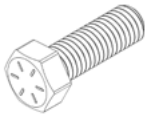
1. Name of purchase location
2. Bar Code on side of box
3. Date above bar code
4. Date inside box cover

**\*ALWAYS WEAR EYE PROTECTION WHEN OPERATING POWER TOOLS\***

## HARDWARE/PARTS

**PART #: F120083030103**

**A.**



3/8-16 X 1 1/4" HEX HEAD

QTY: 8

**A1.**



3/8" FENDER WASHER

QTY: 4

**A2.**



3/8-16" SHORT U-NUT

QTY: 4

**B.**



3/8-16 X 1" BUTTON HEAD (BLACK)

QTY: 6

**B1.**



3/8" FLAT WASHER (BLACK)

QTY: 6

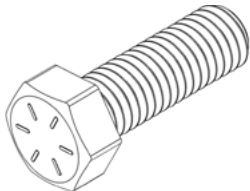
**B2.**



3/8-16" LONG U-NUT

QTY: 6

**C.**



1/2-13 X 1 1/2" HEX HEAD BOLT

QTY: 8

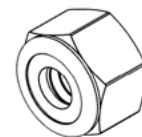
**C1.**



1/2" FLAT WASHER

QTY: 16

**C2.**



1/2-13" NYLON LOCK NUT

QTY: 8

**Reference this page throughout the install**

## HARDWARE/PARTS

PART #: AC12156601NA

**D.**



3/8-16 X 1" BUTTON HEAD (BLACK)

QTY: 8

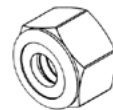
**D1.**



3/8" FLAT WASHER (BLACK)

QTY: 8

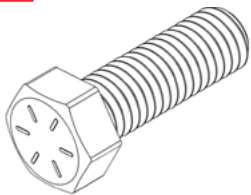
**D2.**



3/8-16" NYLON LOCK NUT

QTY: 8

**E.**



1/2-20 X 4" HEX HEAD BOLT

QTY: 4

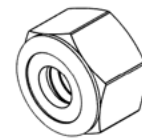
**E1.**



1/2" FLAT WASHER

QTY: 8

**E2.**



1/2-13" NYLON LOCK NUT

QTY: 4

**Reference this page throughout the install**



## TABLE OF CONTENT

**PAGE 1-3: INTRO/HARDWARE**

**PAGE 5-16: OEM REMOVAL**

**PAGE 17-22: WINCH INSTALL**

**PAGE 23-32: BUMPER INSTALL**

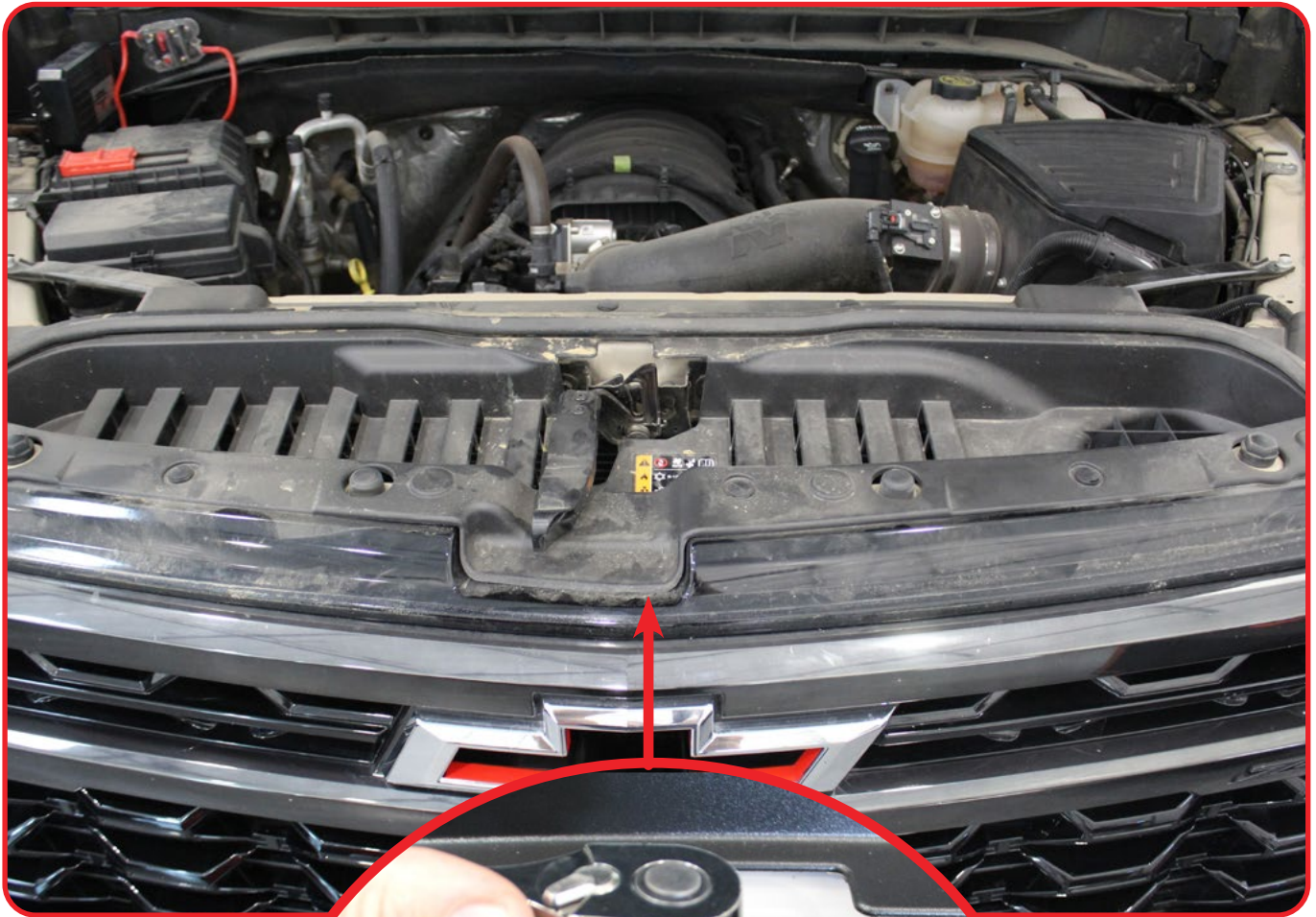
**PAGE 33: FINAL**

## STEALTH FIGHTER FRONT BUMPER 2022-23/CHEVY SILVERADO ZR2

## OEM REMOVAL

### □ STEP 1

Using a (T15 torx), remove the hood handle as shown below. **(Keep hardware)**

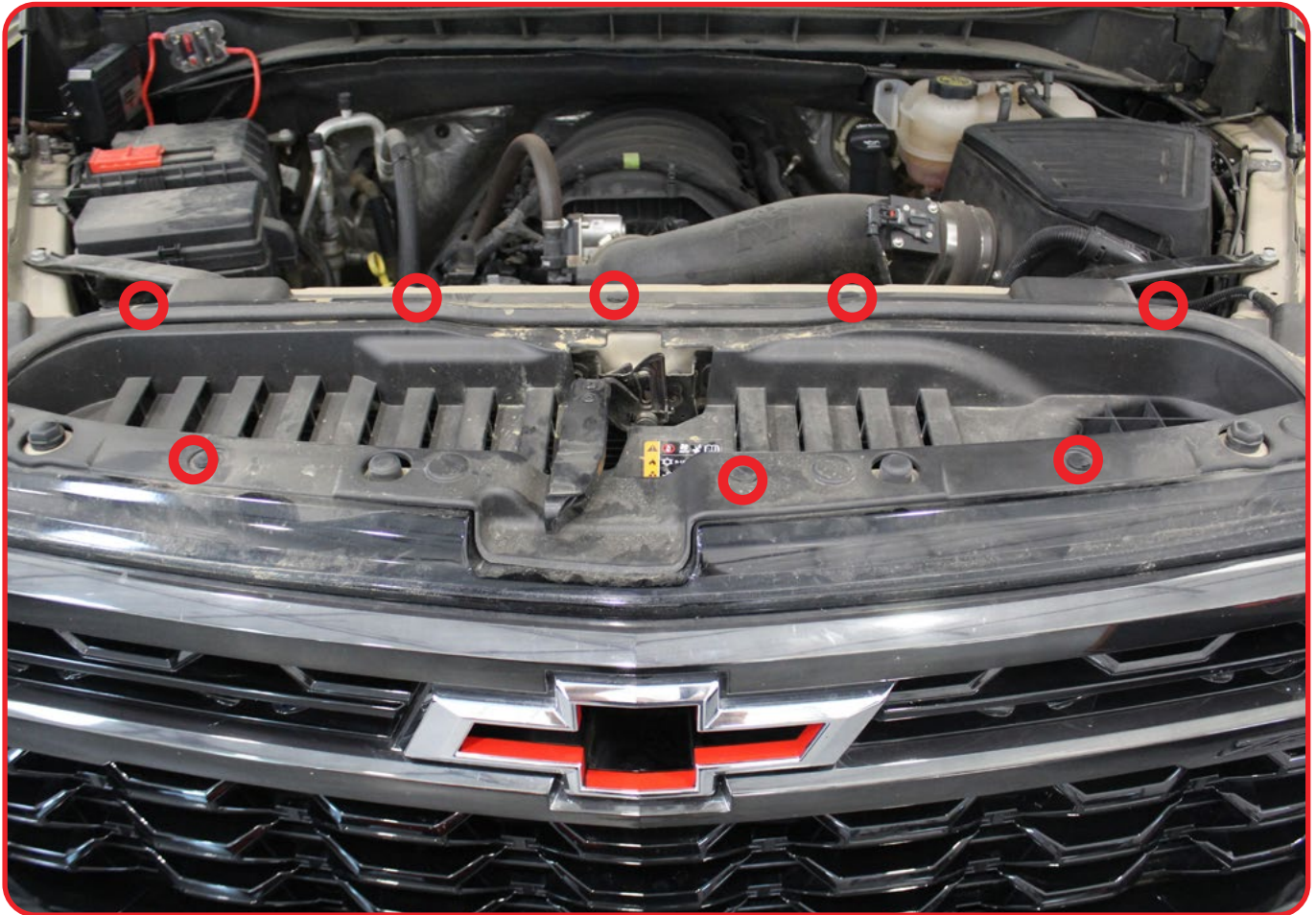


## STEALTH FIGHTER FRONT BUMPER 2022-23/CHEVY SILVERADO ZR2

## OEM REMOVAL

### STEP 2

Using a (fastener remover), remove the push pins as shown below. (Keep hardware)

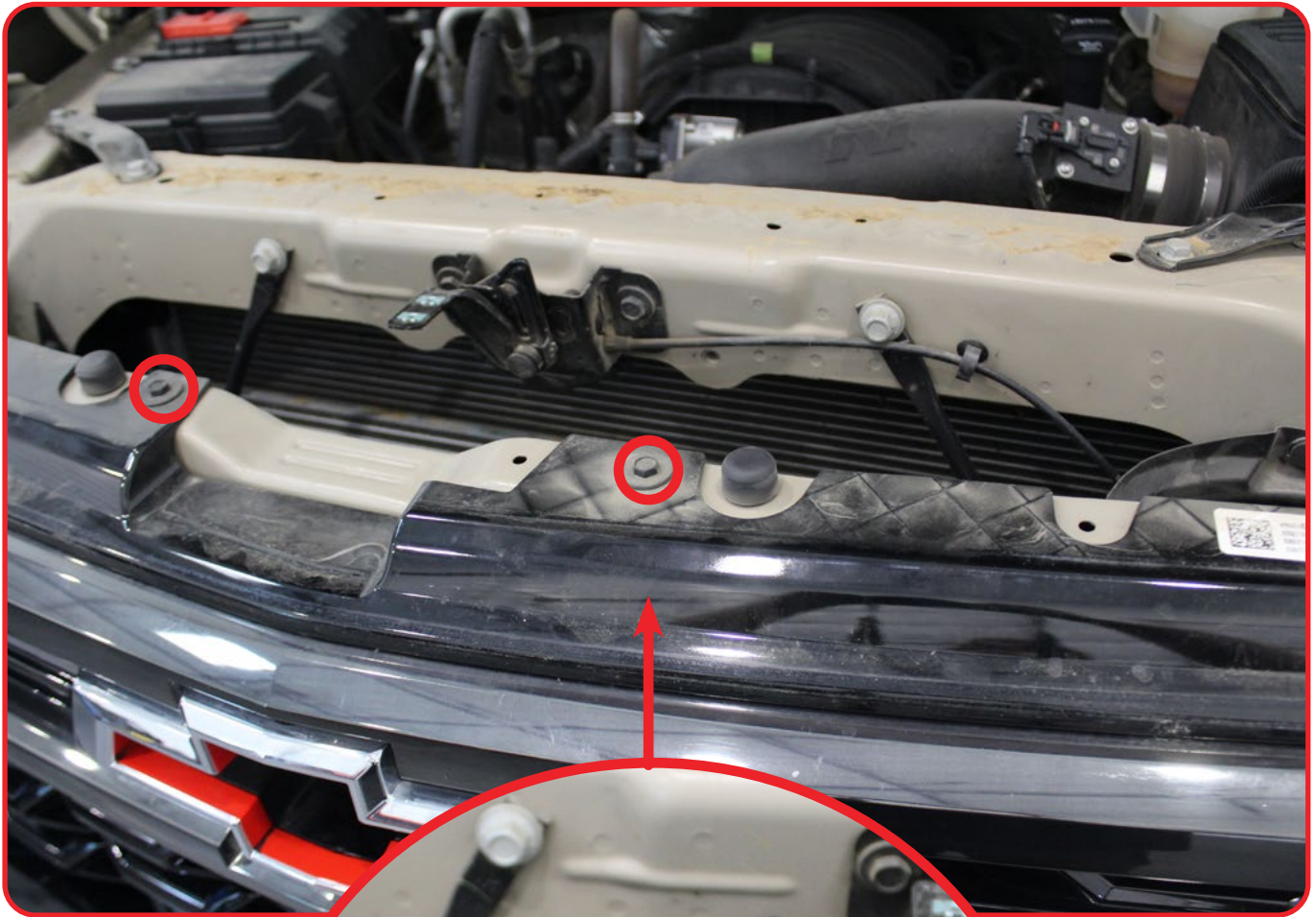


## STEALTH FIGHTER FRONT BUMPER 2022-23/CHEVY SILVERADO ZR2

## OEM REMOVAL

### □ STEP 3

Using a (10mm socket), remove the 4x bolts holding the grill. (Keep hardware)

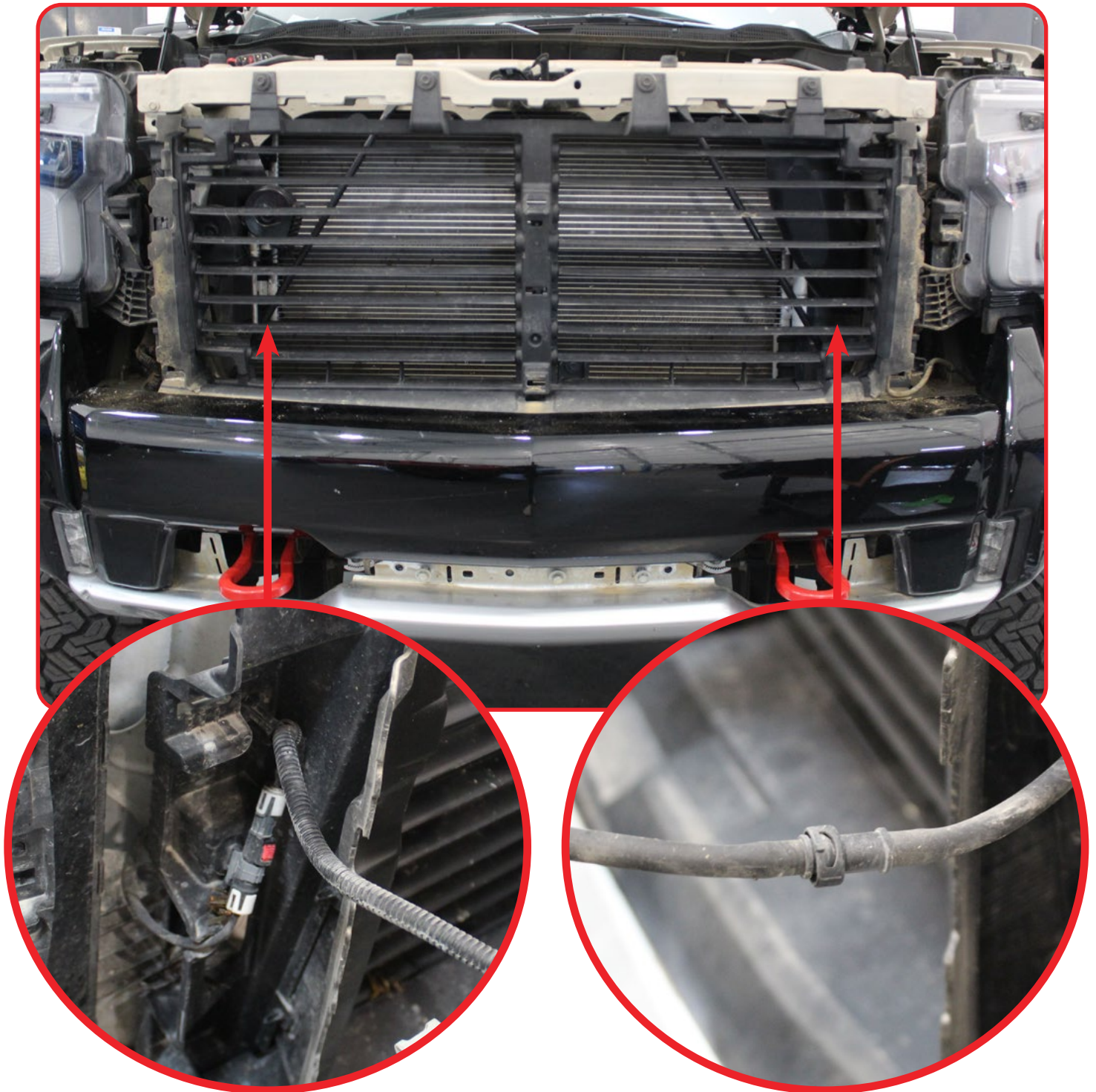


## STEALTH FIGHTER FRONT BUMPER 2022-23/CHEVY SILVERADO ZR2

## OEM REMOVAL

### □ STEP 4

Unplug the front camera and the washer fluid line to remove the grill.



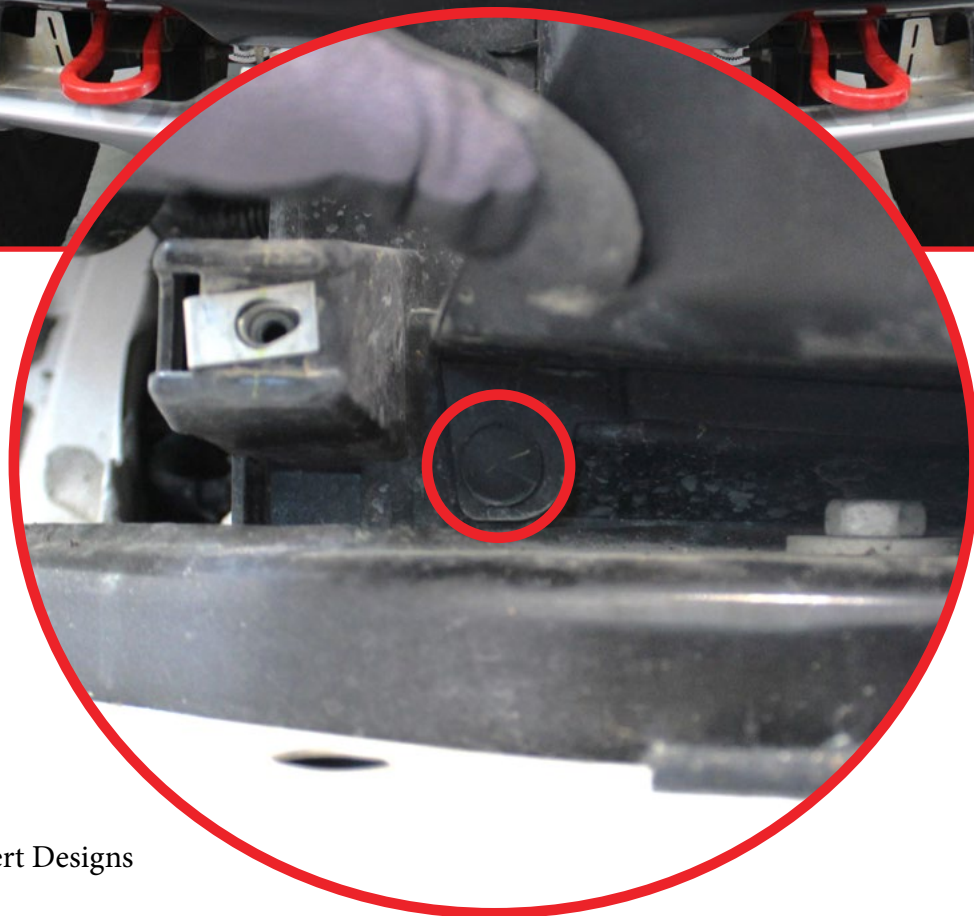
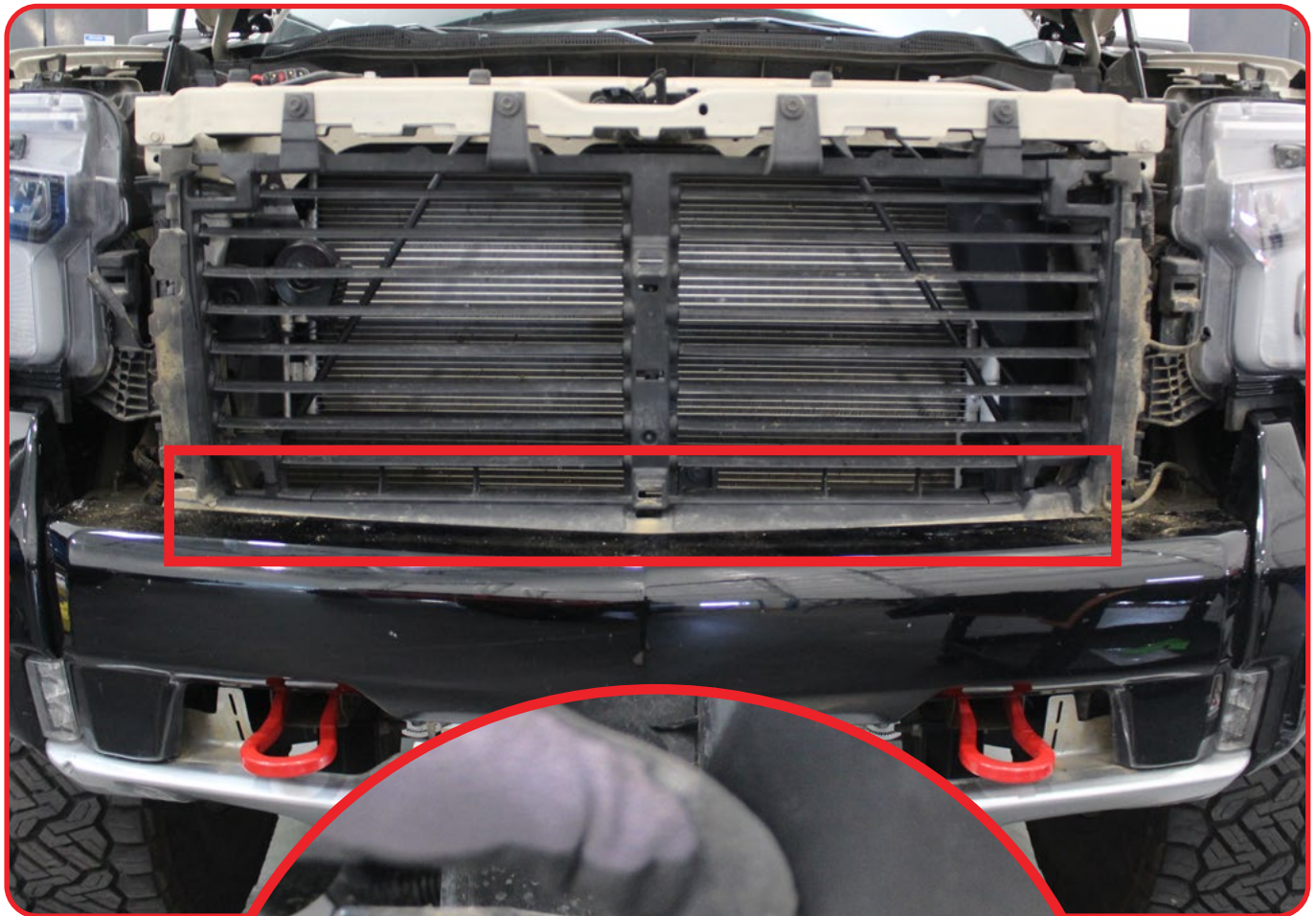


## STEALTH FIGHTER FRONT BUMPER 2022-23/CHEVY SILVERADO ZR2

## OEM REMOVAL

### □ STEP 5

Using a (fastener remover), remove the push pins holding the plastic flashing as shown below. (Keep hardware)



## STEALTH FIGHTER FRONT BUMPER 2022-23/CHEVY SILVERADO ZR2

## OEM REMOVAL

### □ STEP 6

Unplug the main wiring harness plug in located on the passenger side above the bumper.

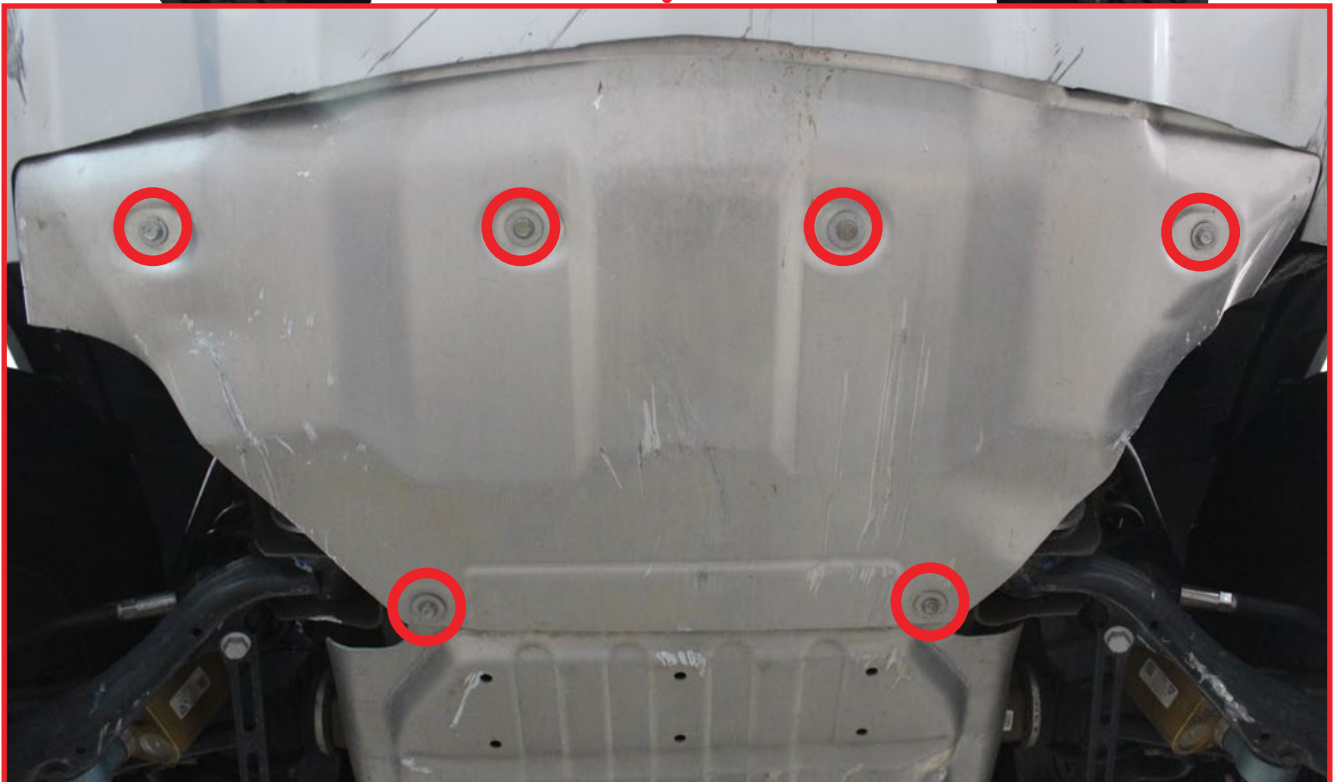


## STEALTH FIGHTER FRONT BUMPER 2022-23/CHEVY SILVERADO ZR2

## OEM REMOVAL

### □ STEP 7

Using a (13mm socket), remove the 6x skid plate bolts as shown below. (Keep hardware)

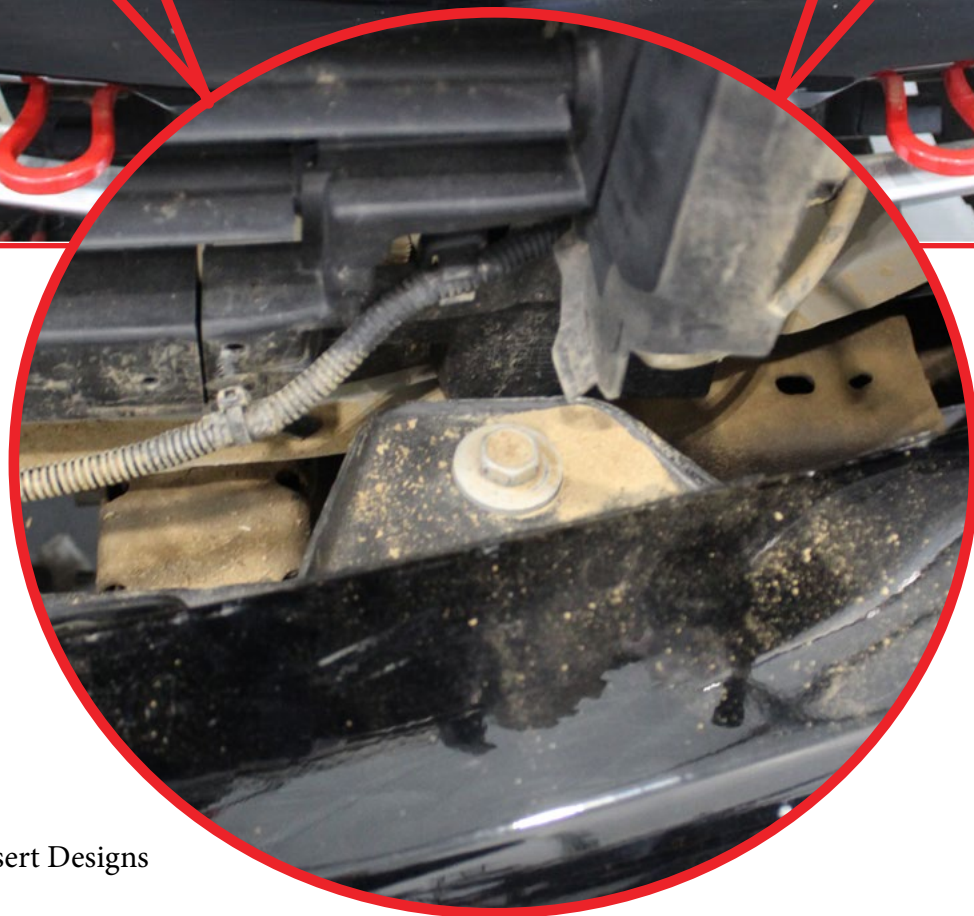
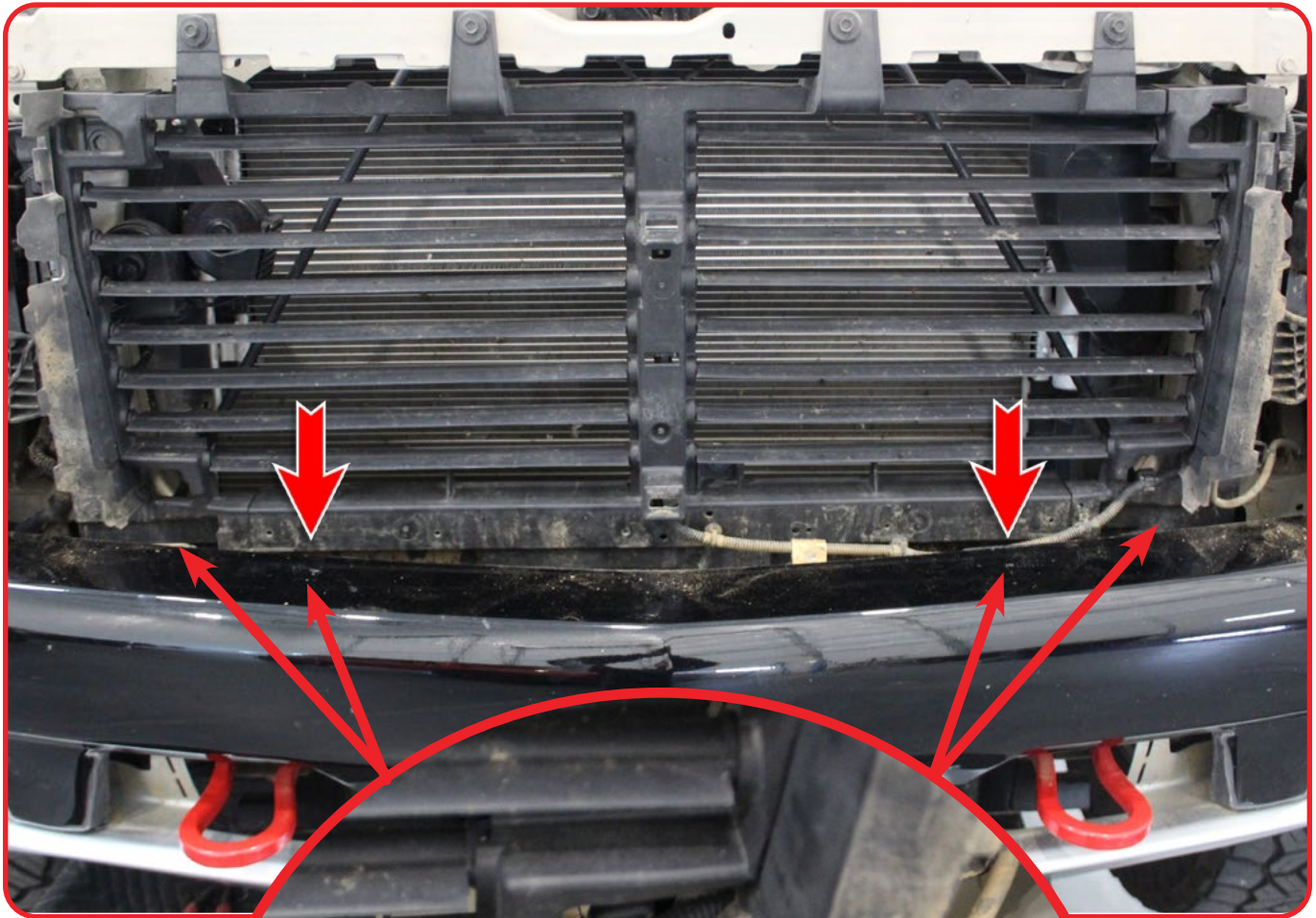


## STEALTH FIGHTER FRONT BUMPER 2022-23/CHEVY SILVERADO ZR2

## OEM REMOVAL

### □ STEP 8

Using a (3/4 socket), remove the 4x OEM bolts located on top of the bumper.

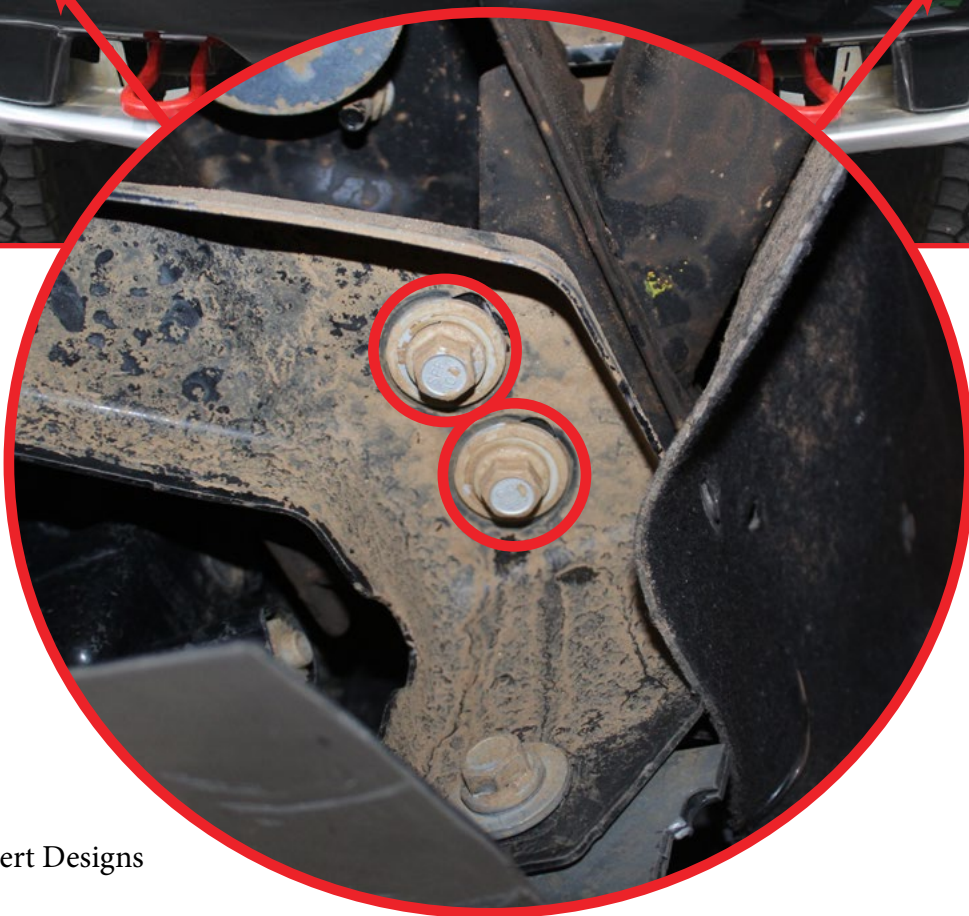


## STEALTH FIGHTER FRONT BUMPER 2022-23/CHEVY SILVERADO ZR2

## OEM REMOVAL

### □ STEP 9

Using a (5/8 socket), remove the bumper supports located under the bumper.

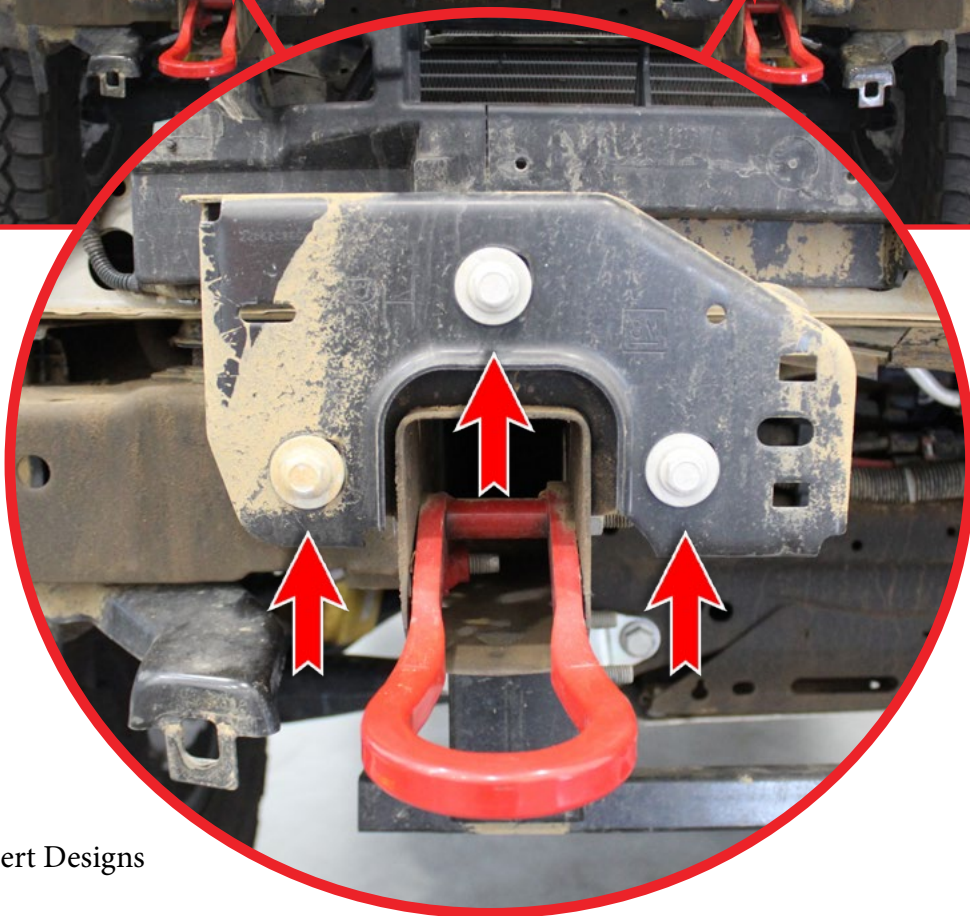


## STEALTH FIGHTER FRONT BUMPER 2022-23/CHEVY SILVERADO ZR2

## OEM REMOVAL

### □ STEP 10

Using a (15mm socket), remove the 6x bumper mounting bracket bolts.

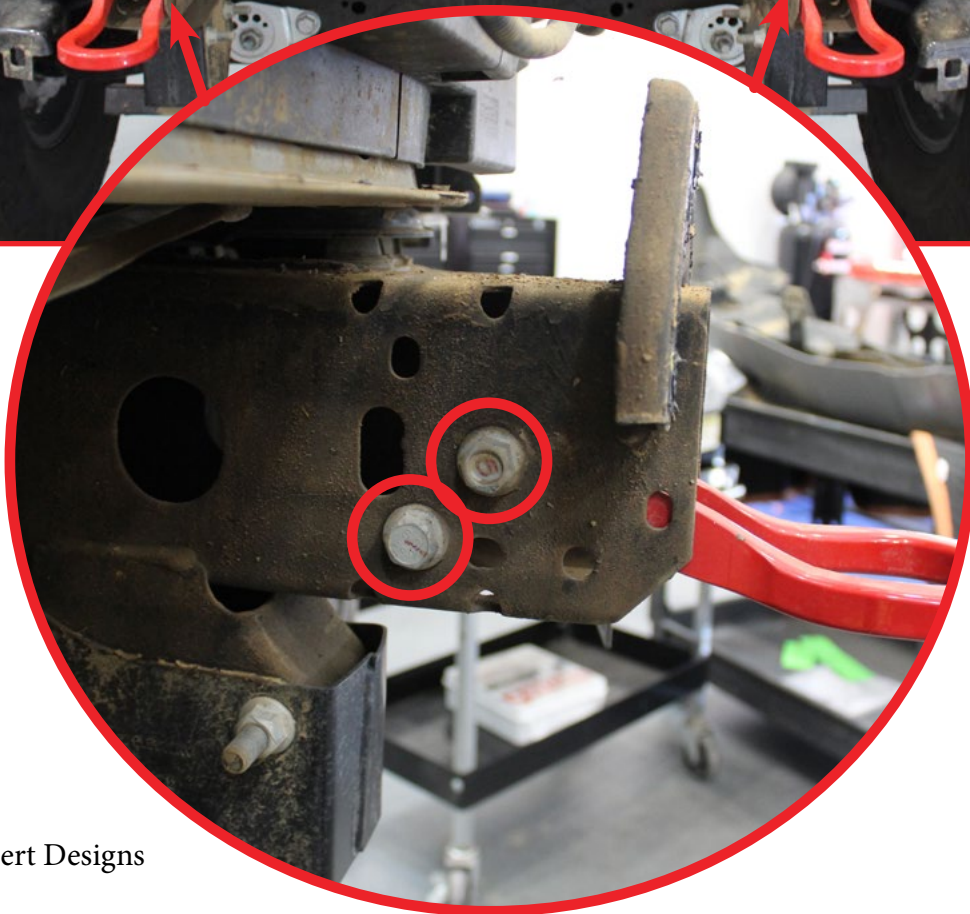


## STEALTH FIGHTER FRONT BUMPER 2022-23/CHEVY SILVERADO ZR2

## OEM REMOVAL

### □ STEP 11

Using a (3/4 socket) remove the 4x tow hook mounting bolts. (Re-install the grill and valence by repeating steps 1-5)

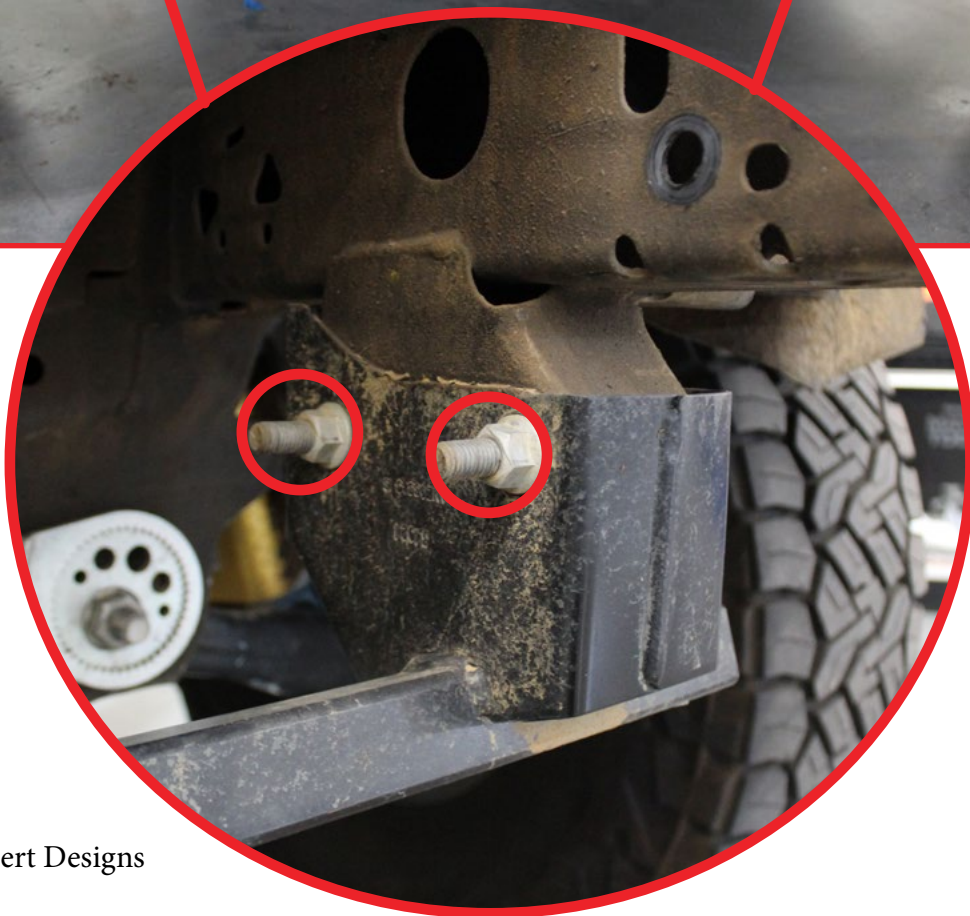
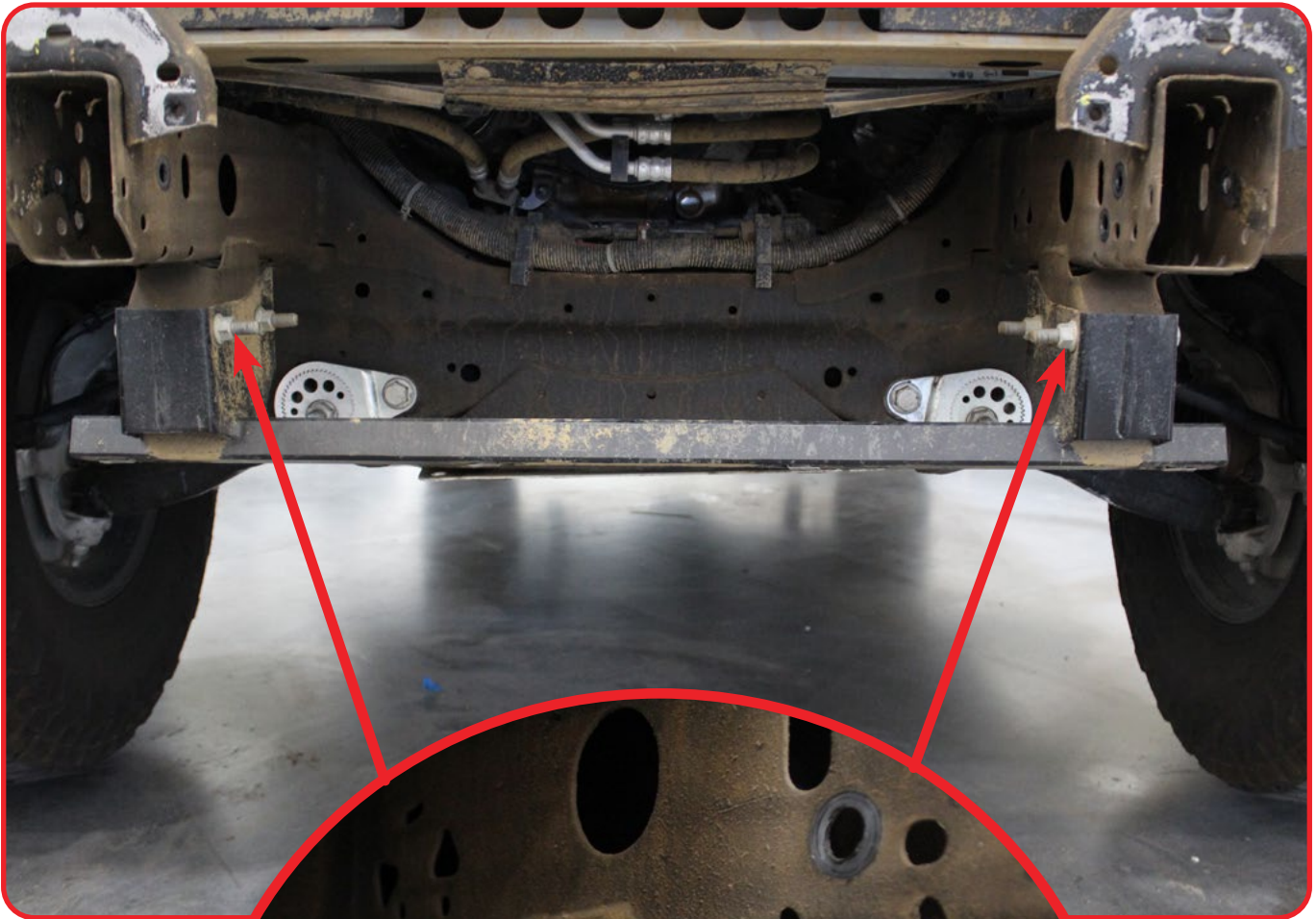


## STEALTH FIGHTER FRONT BUMPER 2022-23/CHEVY SILVERADO ZR2

## OEM REMOVAL

### □ STEP 12

Using a (3/4 socket) and a (3/4 wrench) remove the 4x skid plate mounting bracket bolts.





**PART #:** AC12156601NA

STEALTH FIGHTER FRONT BUMPER  
2022-23/CHEVY SILVERADO ZR2

**WINCH INSTALL**

**STEP 13**

Now would be a good time to install the winch mount if you purchased one. **(IF NOT, SKIP TO STEP 19 TO FINISH THE INSTALL)**



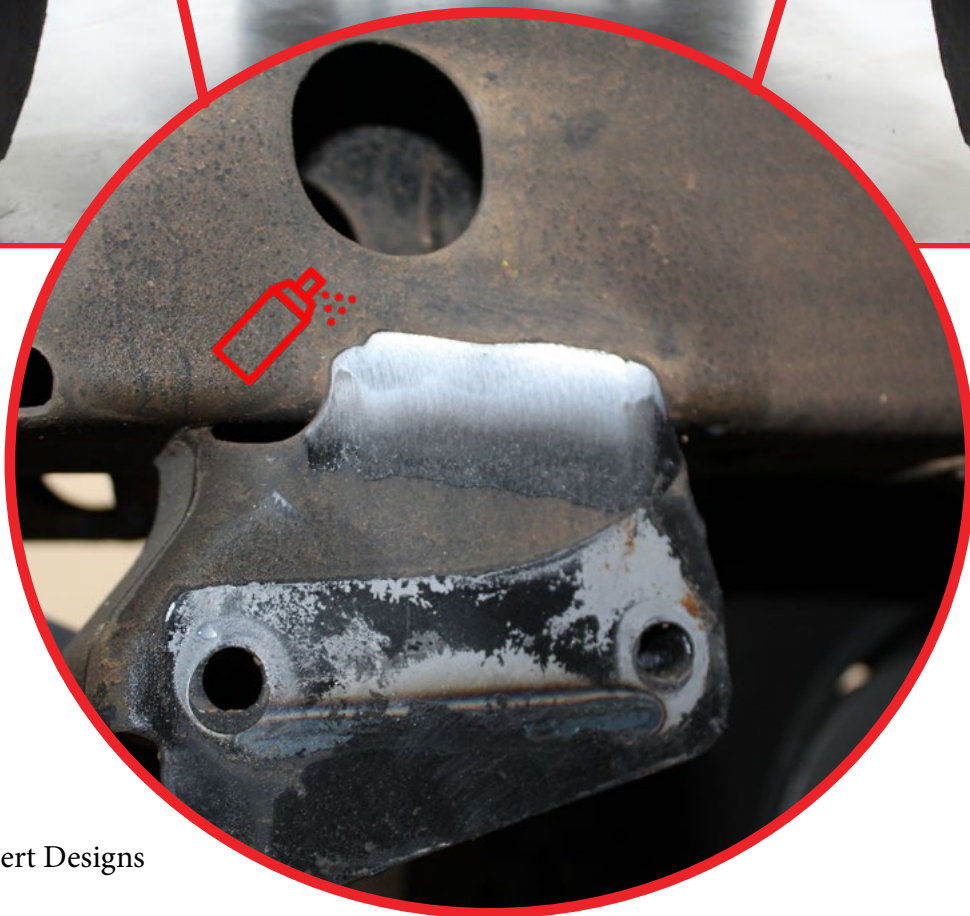
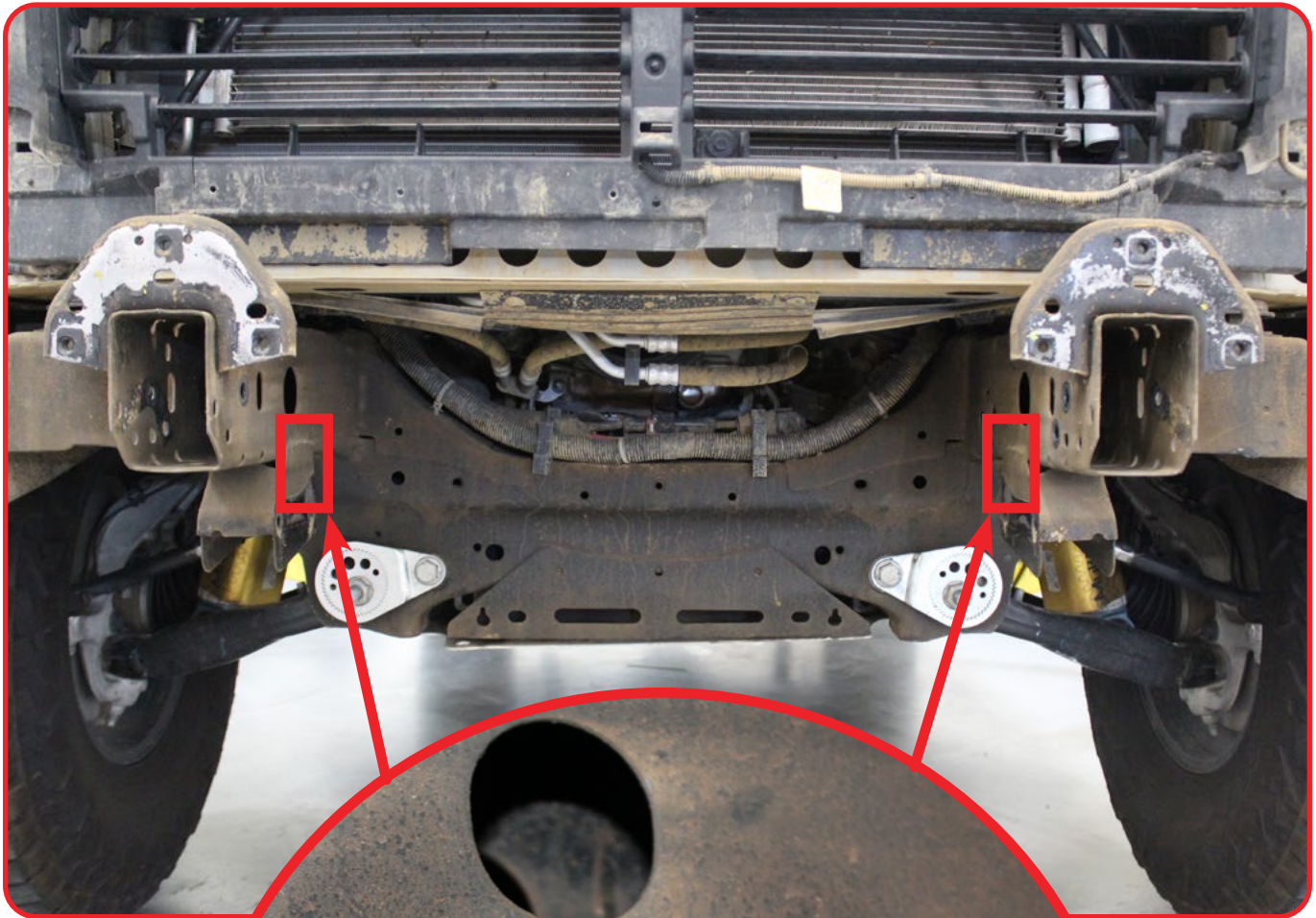
**PART #:** AC12156601NA

STEALTH FIGHTER FRONT BUMPER  
2022-23/CHEVY SILVERADO ZR2

**WINCH INSTALL**

**STEP 14**

Using a (grinder), grind the welds flush located on the inside of the support brackets for the skid plate as shown below.



**PART #:** AC12156601NA

STEALTH FIGHTER FRONT BUMPER  
2022-23/CHEVY SILVERADO ZR2

**WINCH INSTALL**

**STEP 15**

Install the winch to the mount as shown below with the provided hardware that came with the winch.



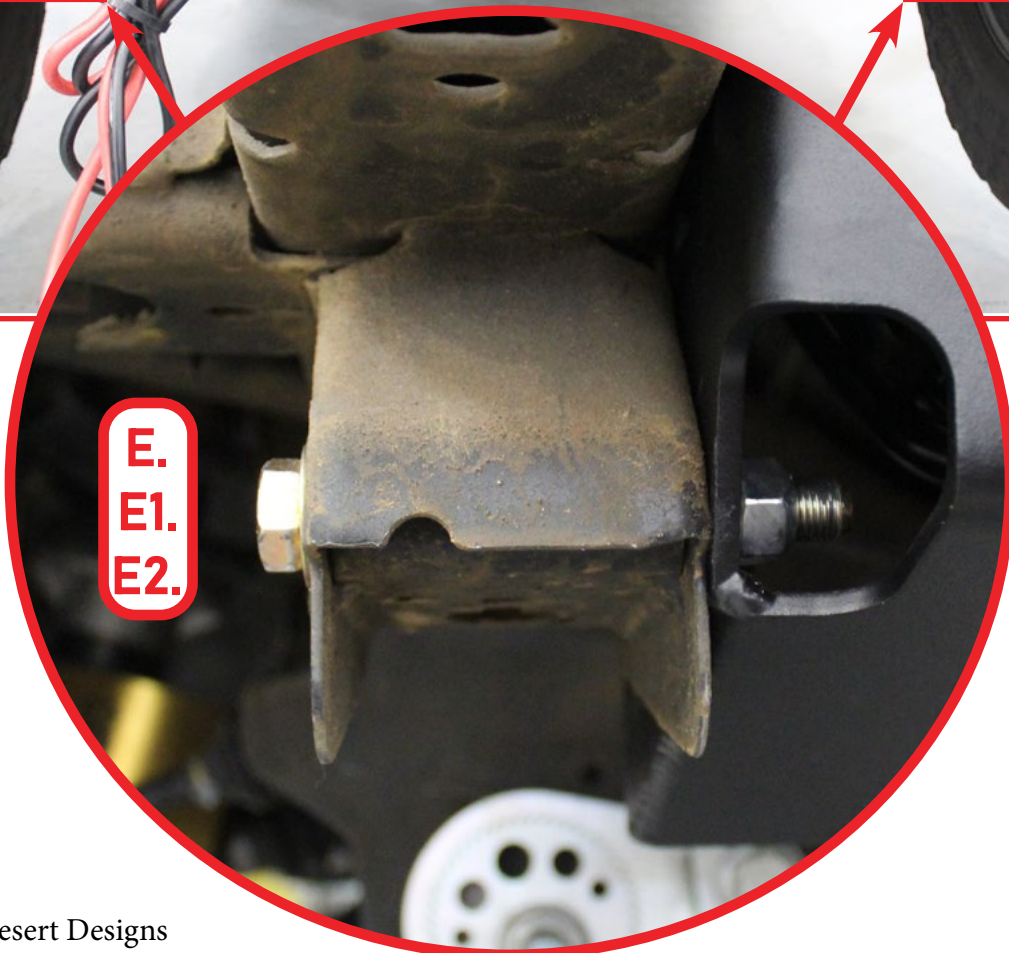
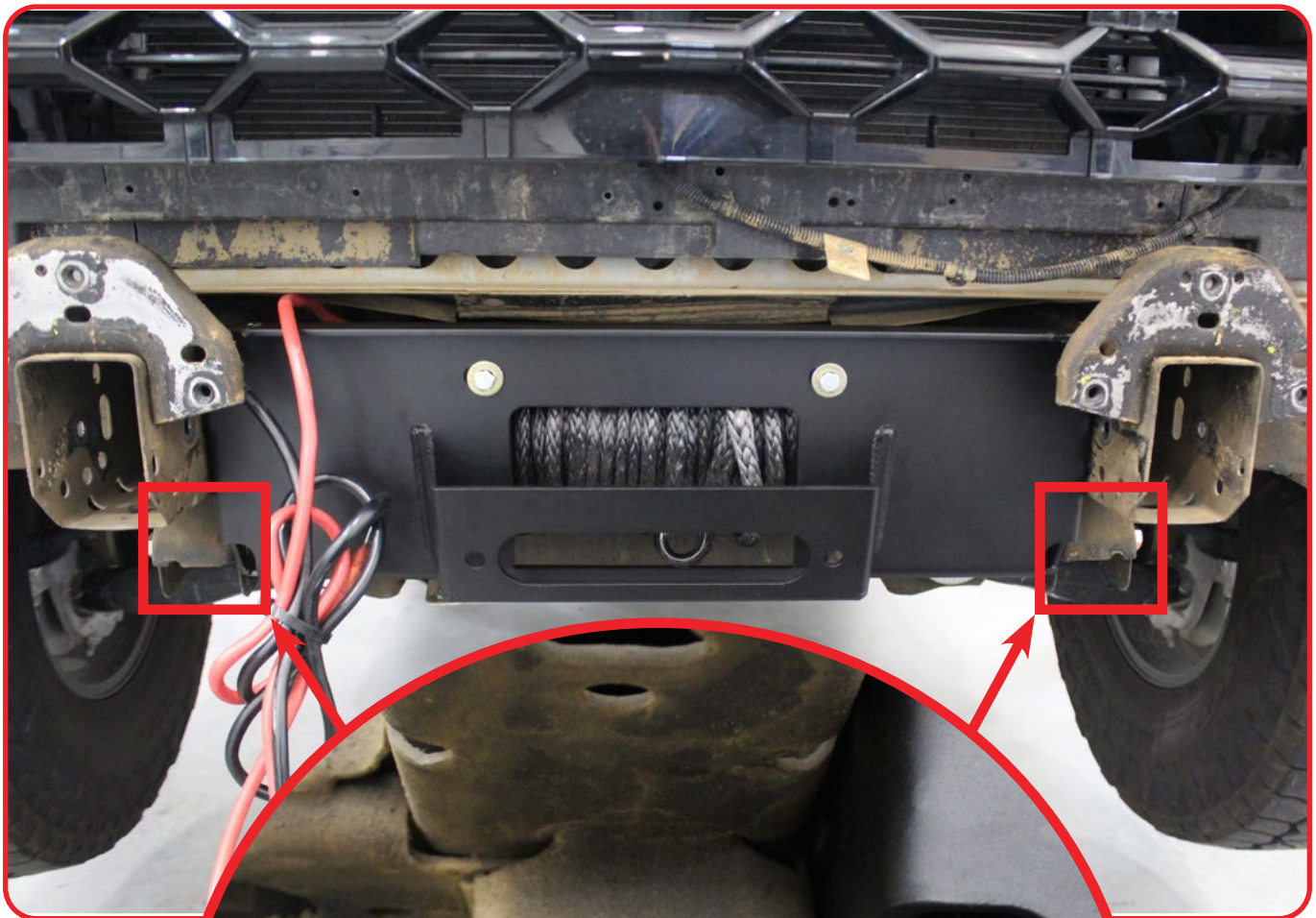
**PART #:** AC12156601NA

STEALTH FIGHTER FRONT BUMPER  
2022-23/CHEVY SILVERADO ZR2

**WINCH INSTALL**

**STEP 16**

With the help from another installer, use a (3/4 wrench) and a (3/4 socket) install the winch mount with the provided **(E, E1, E2)** 1/2-20 X 4" hex head bolt, 1/2" flat washer, and 1/2-20" Nylon lock nut.



**E.**  
**E1.**  
**E2.**

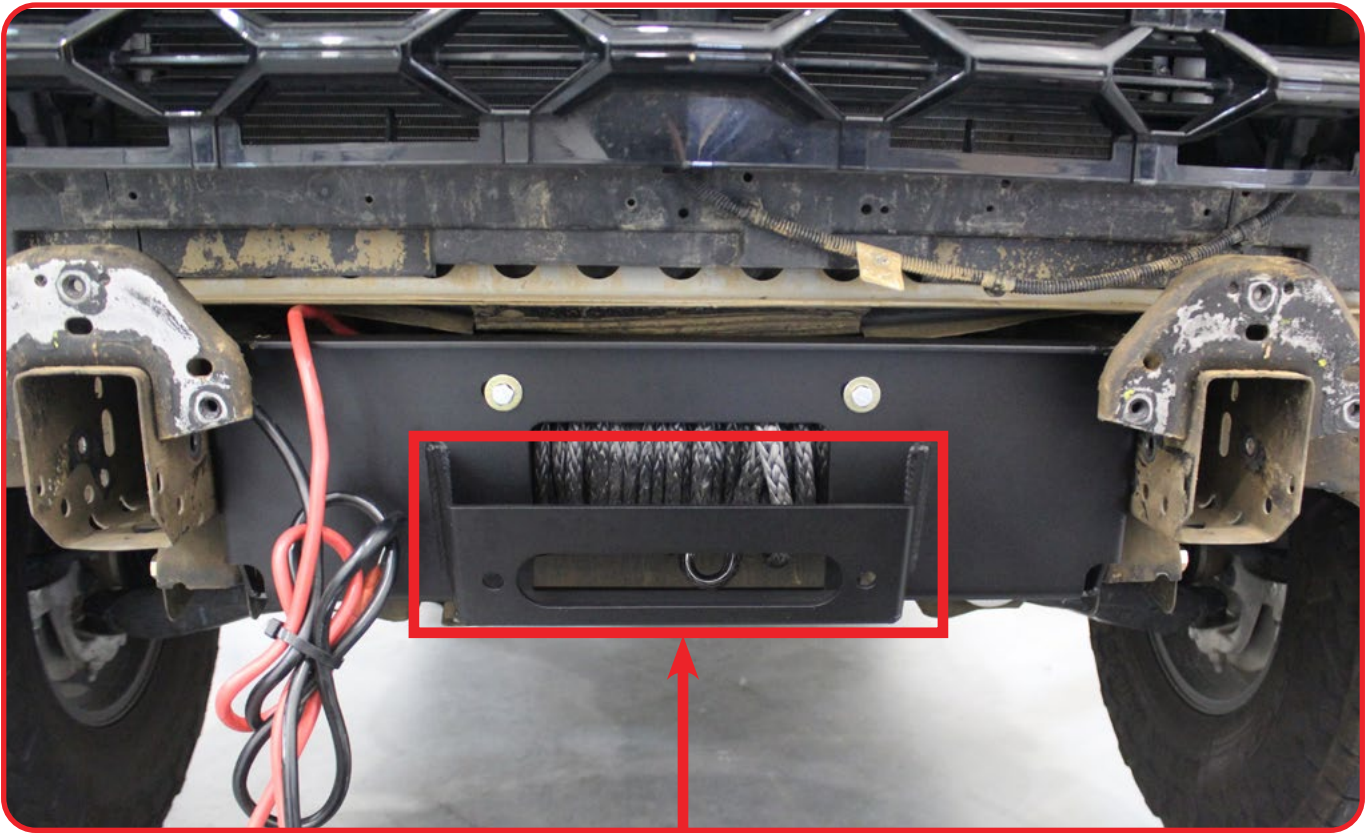
**PART #:** AC12156601NA

STEALTH FIGHTER FRONT BUMPER  
2022-23/CHEVY SILVERADO ZR2

**WINCH INSTALL**

**STEP 17**

Install your fairlead, if you bought a **ADD capture fairlead**, install the provided bolts as shown below using a (8mm allen) and a (3/4 wrench).



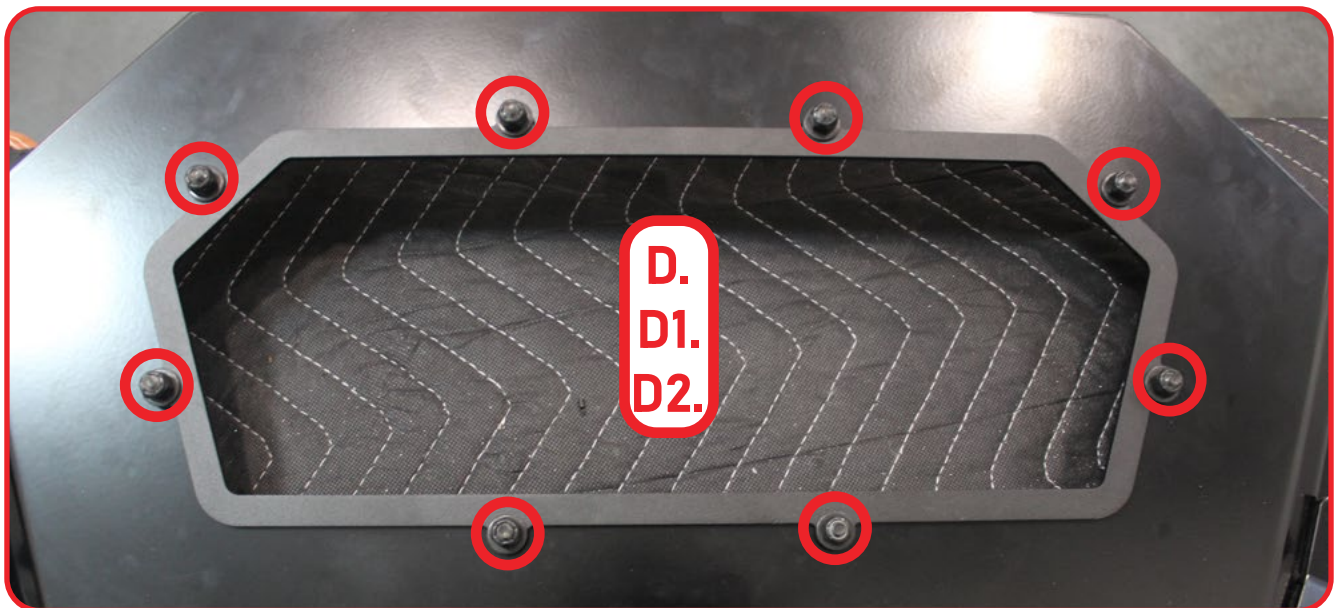
**PART #:** AC12156601NA

STEALTH FIGHTER FRONT BUMPER  
2022-23/CHEVY SILVERADO ZR2

**WINCH INSTALL**

**STEP 18**

Using a (5/32 allen) and a (7/16 wrench), remove the backer plate on the stealth fighter skid plate. With the provided (**D, D1, D2**) 1/4-20 X 3/4" button head bolts, 1/4" flat washers, and 1/4-20" nylon lock nut install the backer for the winch kit on the backside of the skid plate as shown below.

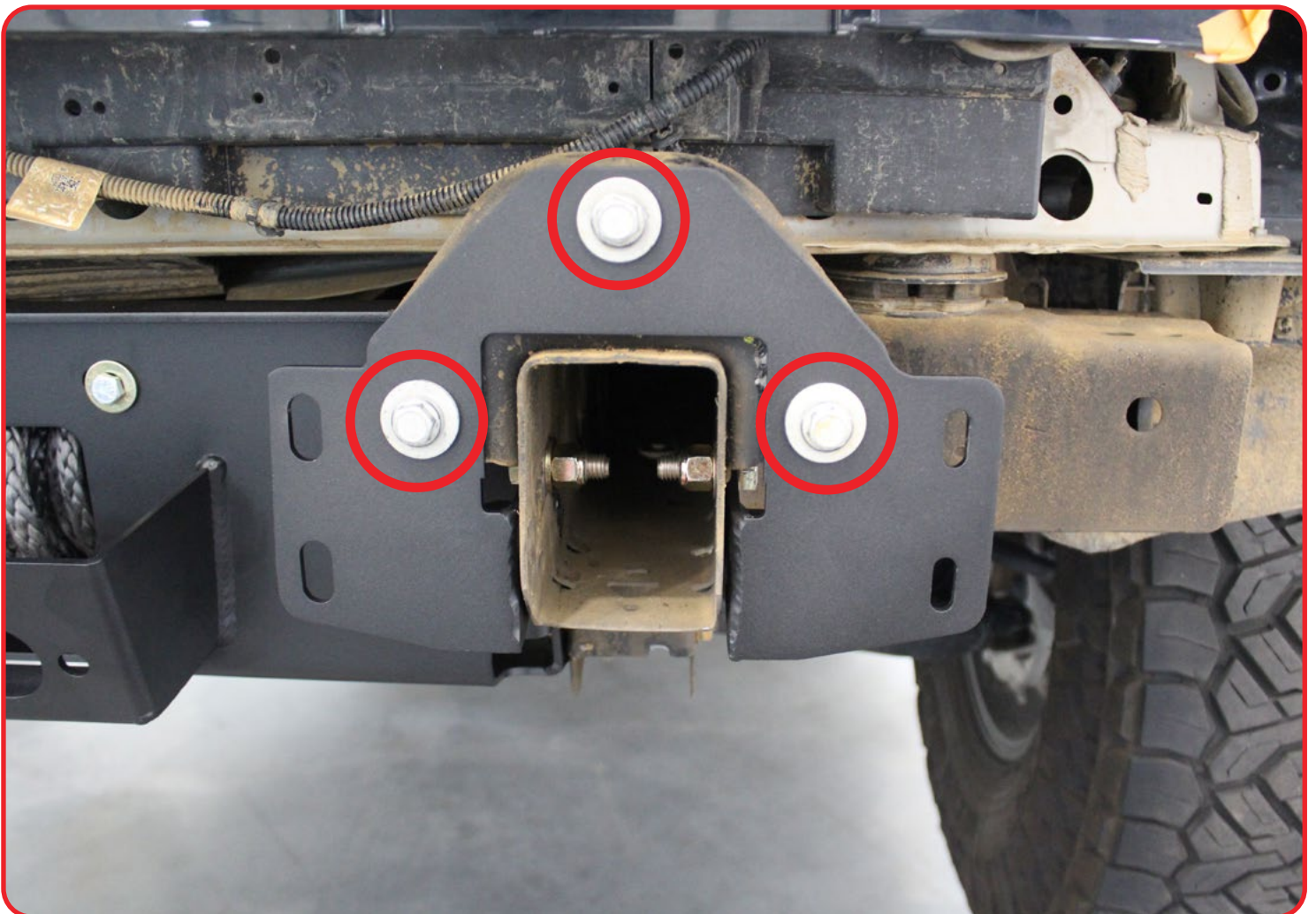


## STEALTH FIGHTER FRONT BUMPER 2022-23/CHEVY SILVERADO ZR2

## BUMPER INSTALL

### □ STEP 19

Install the mounting brackets to the frame horns using a (15mm socket) with the hardware removed from step 10.

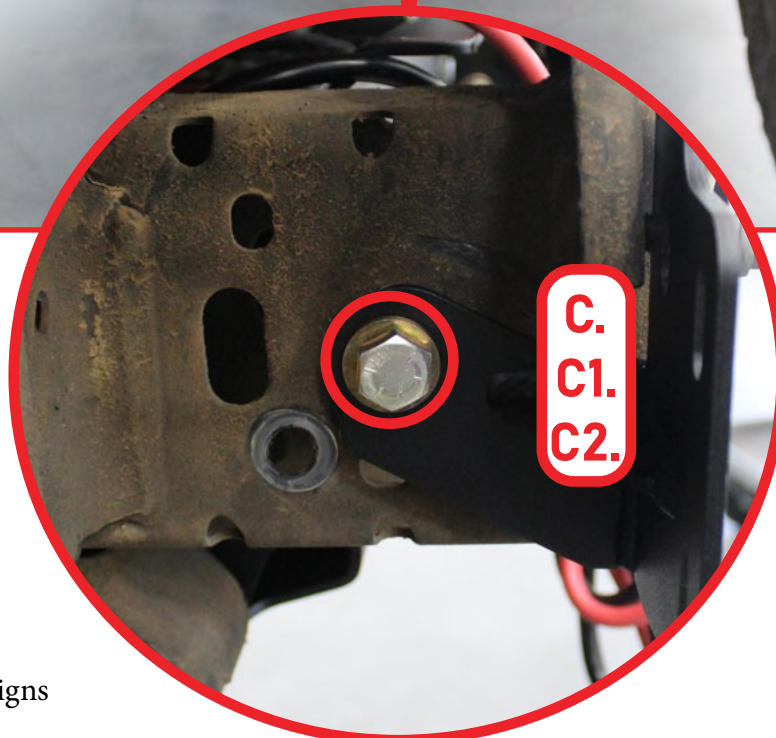
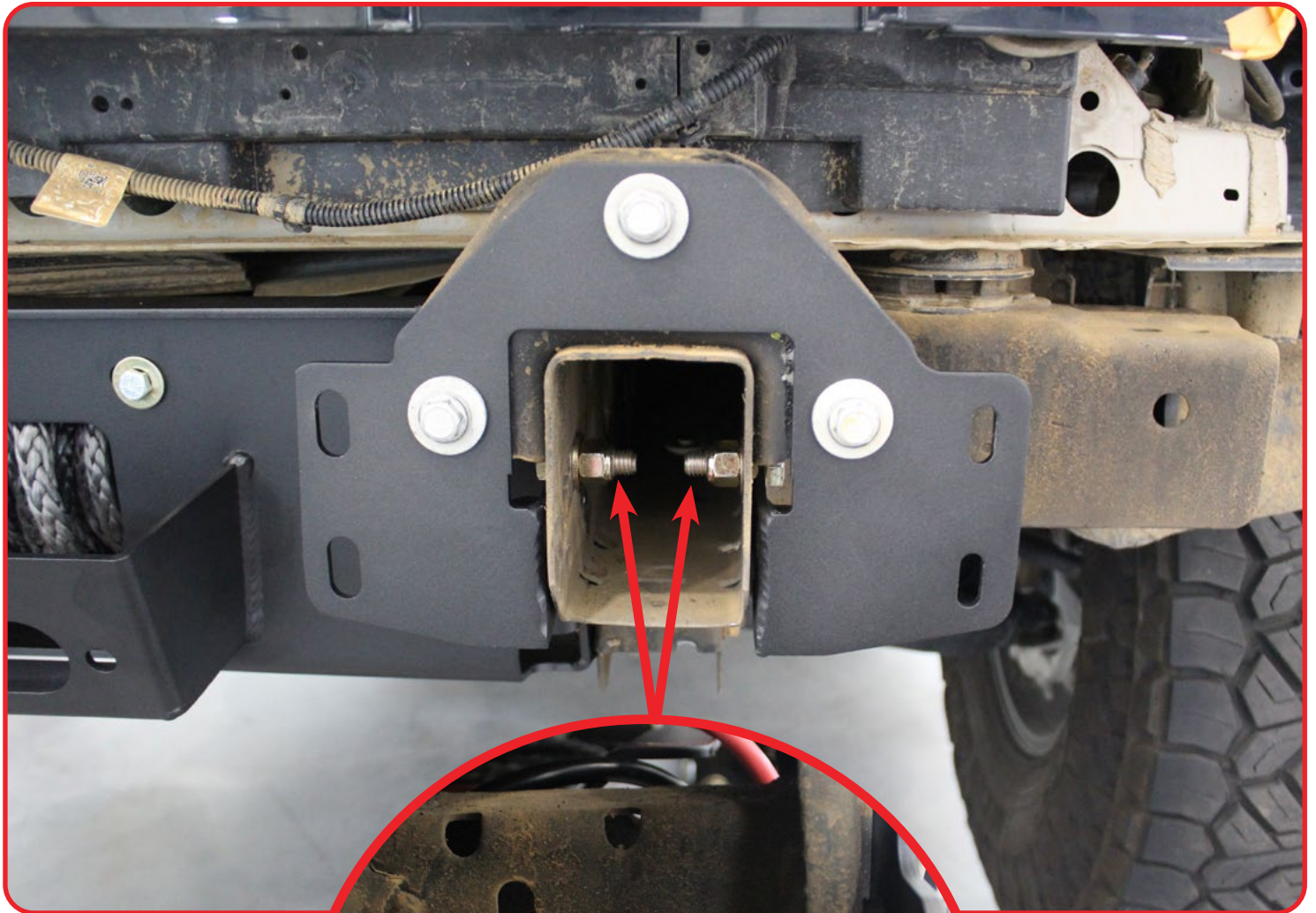


## STEALTH FIGHTER FRONT BUMPER 2022-23/CHEVY SILVERADO ZR2

## BUMPER INSTALL

### □ STEP 20

Using a (3/4 wrench) and a (3/4 socket), use the provided **(C, C1, C2)** 1/2-13 X 1 1/2" hex head bolt, 1/2-13" nylon lock nut, and 1/2" flat washer for the sides on the mounting plate shown below.



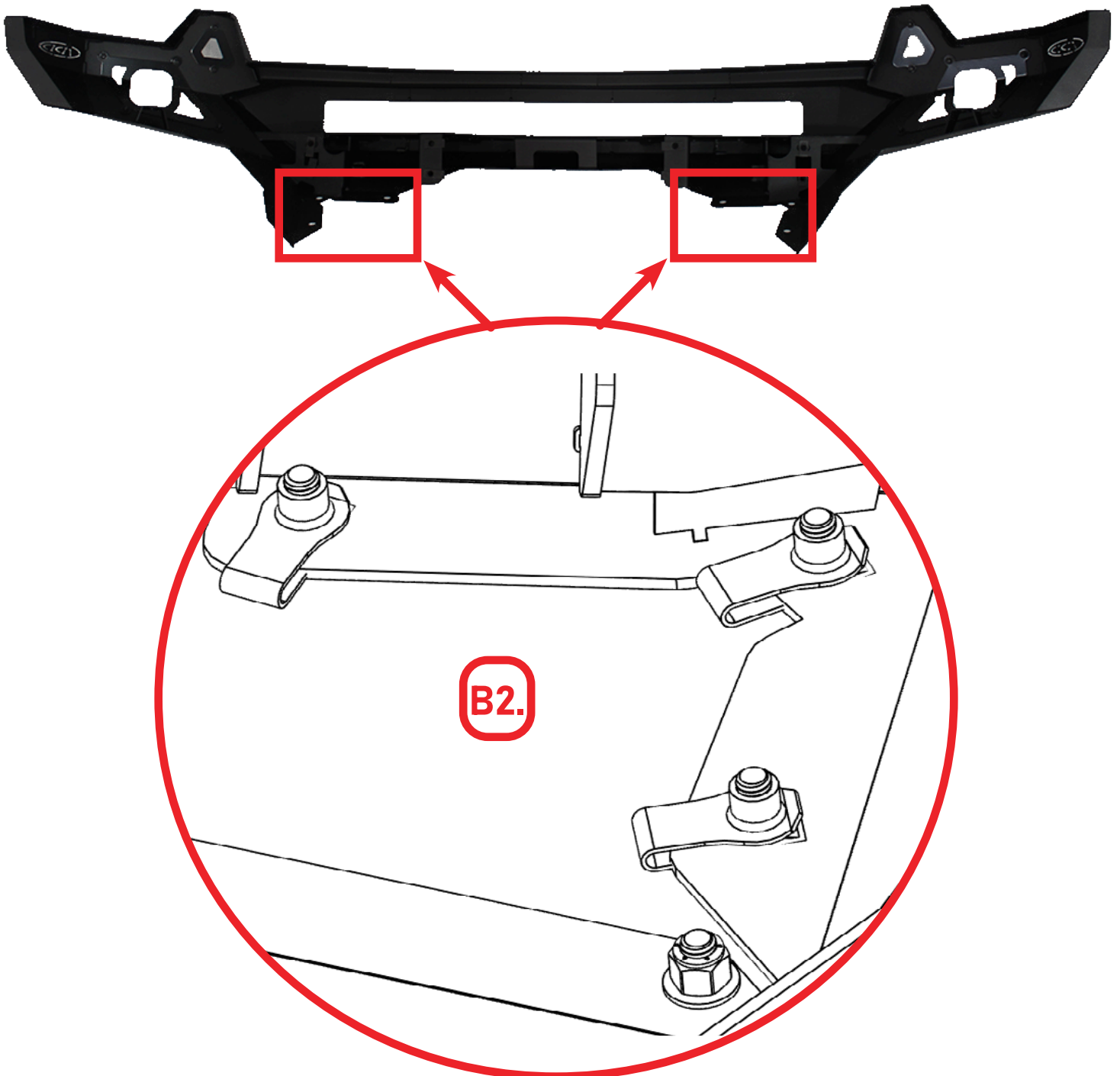


## STEALTH FIGHTER FRONT BUMPER 2022-23/CHEVY SILVERADO ZR2

## BUMPER INSTALL

### □ STEP 21

Install the provided **(B2)** 3/8-16" Long u-nuts in the mounting holes for the skid plate as shown below.

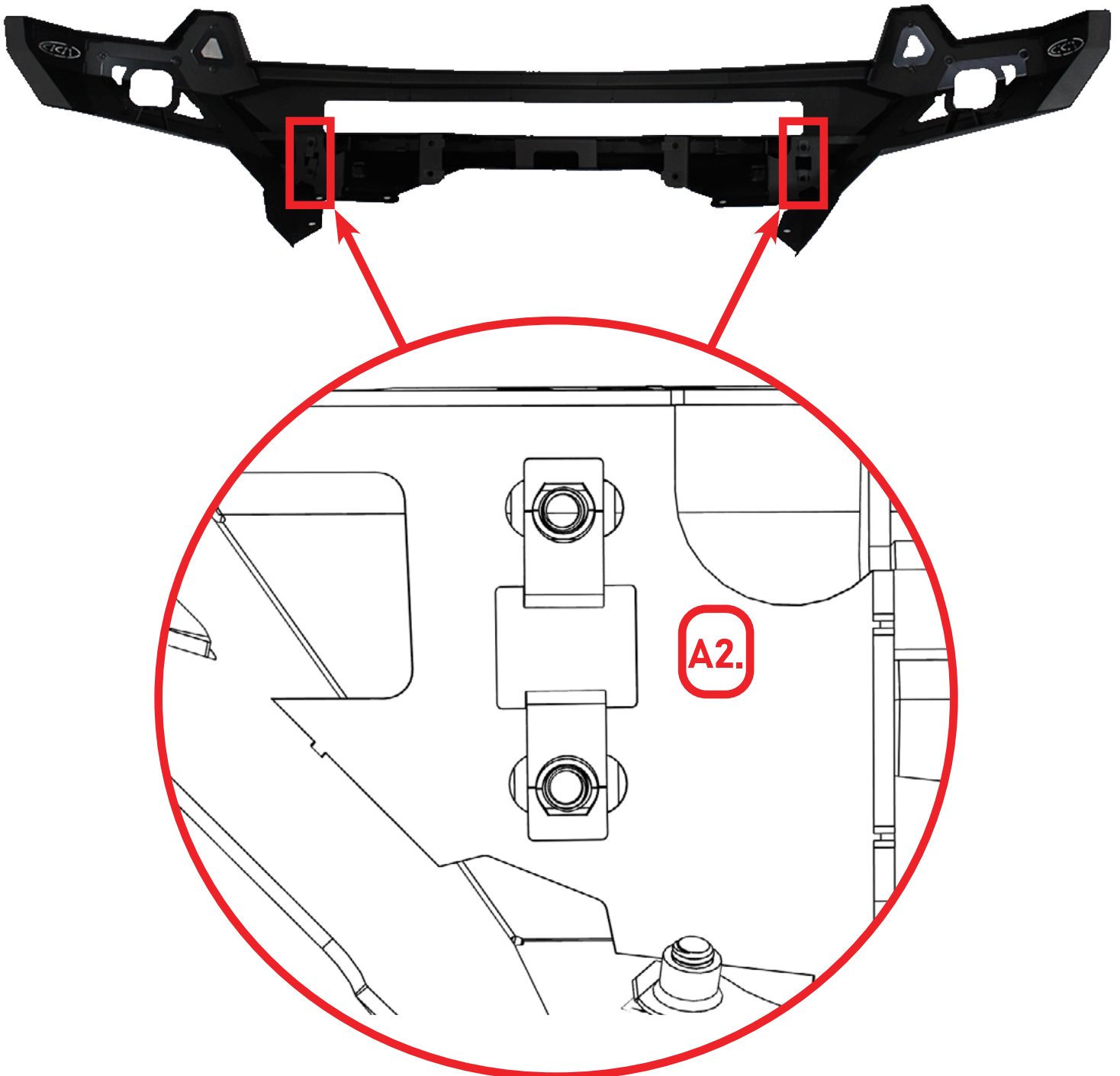


## STEALTH FIGHTER FRONT BUMPER 2022-23/CHEVY SILVERADO ZR2

## BUMPER INSTALL

### □ STEP 22

Install the provided (A2) 3/8-16" short u-nuts in the outer mounting slots as shown below.

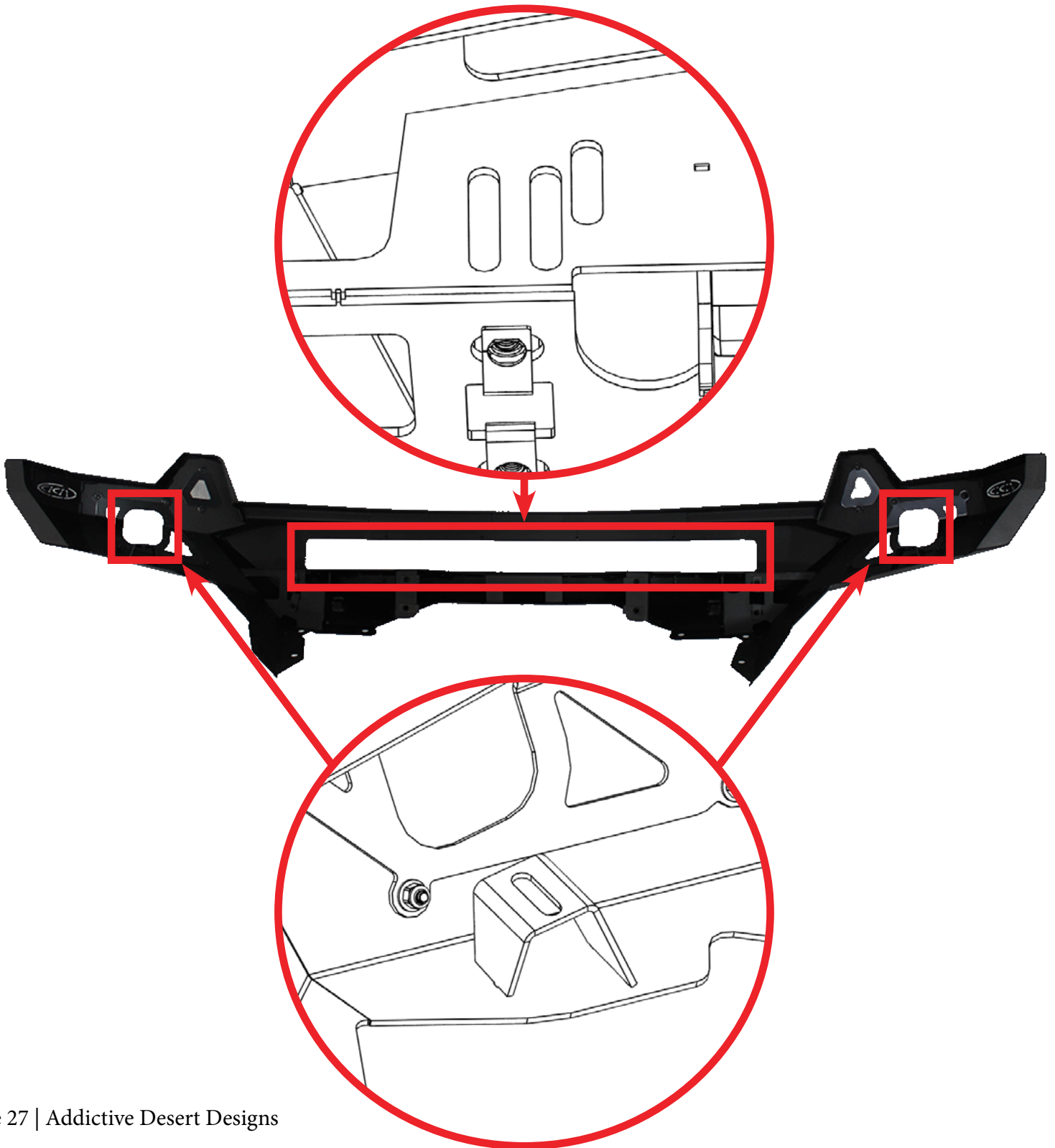


## STEALTH FIGHTER FRONT BUMPER 2022-23/CHEVY SILVERADO ZR2

## BUMPER INSTALL

### □ STEP 23

Now would be a good time to install your lights before continuing with the install.

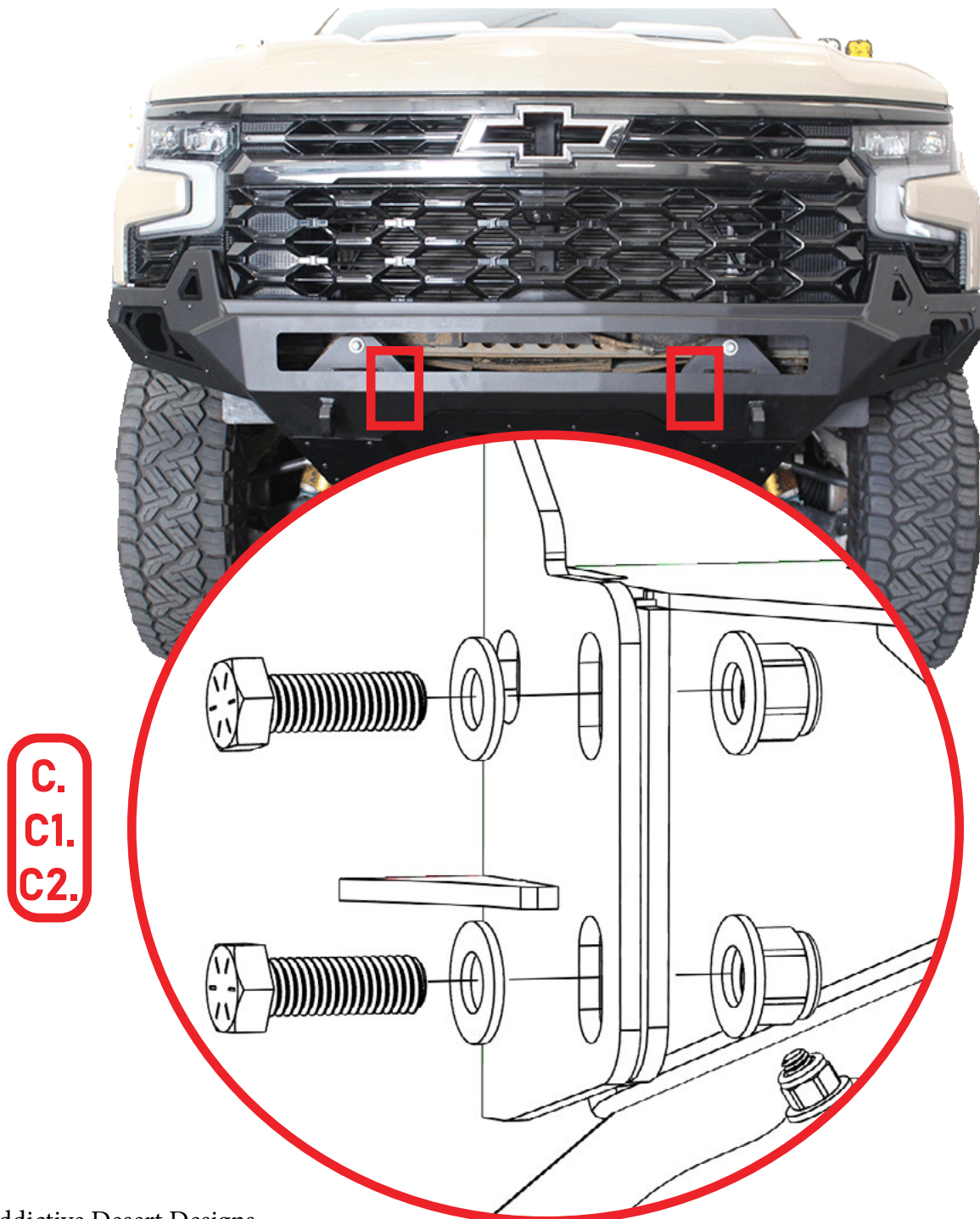


## STEALTH FIGHTER FRONT BUMPER 2022-23/CHEVY SILVERADO ZR2

## BUMPER INSTALL

### □ STEP 24

Using a (3/4 socket) and a (3/4 wrench), **With the skid plate removed**, install the stealth fighter front bumper with the provided **(C, C1, C2)** 1/2-13 X 1 1/2 hex head bolts, 1/2" flat washers, and 1/2-13" nylon lock nut on the **inside** mounting holes as shown below.

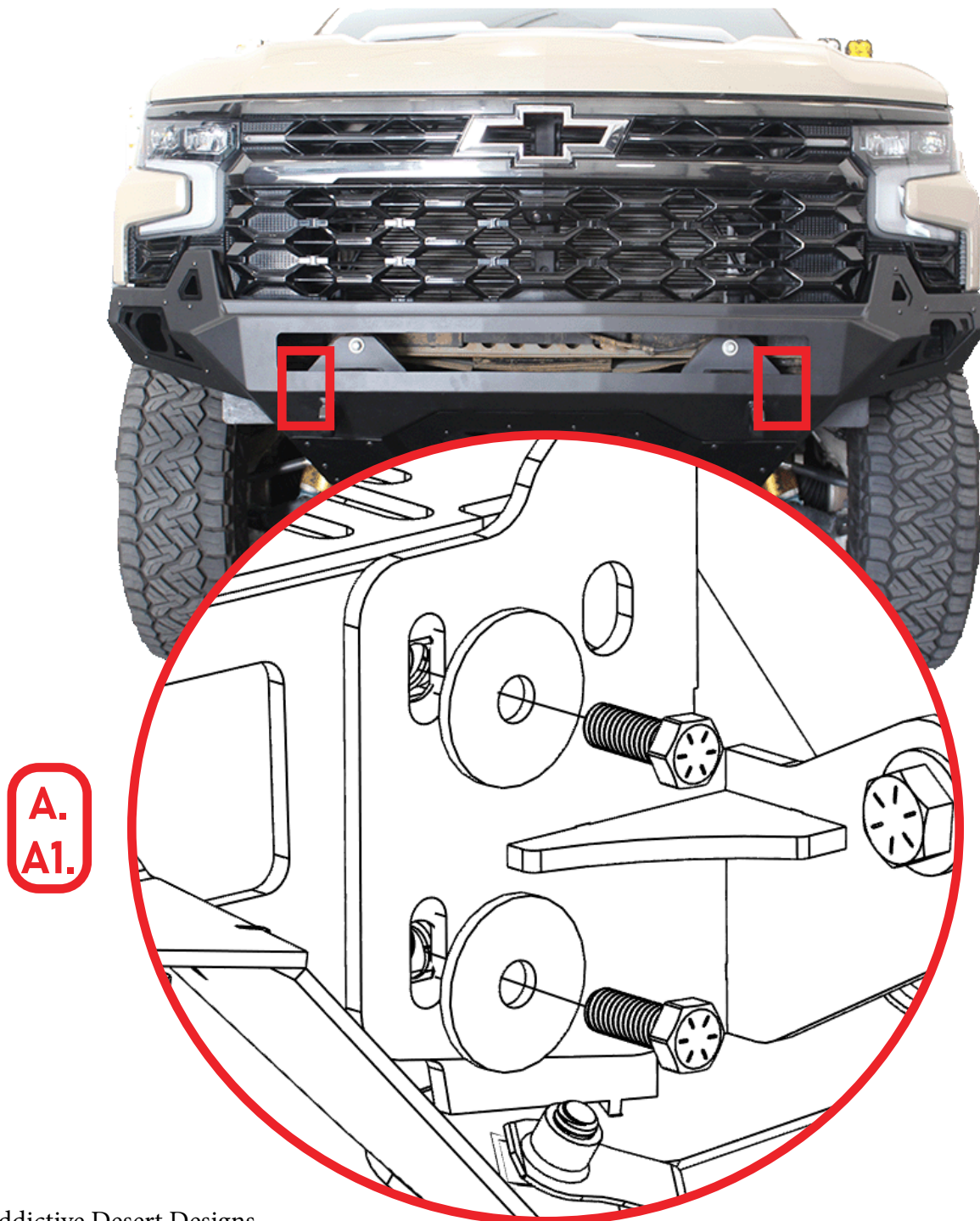


## STEALTH FIGHTER FRONT BUMPER 2022-23/CHEVY SILVERADO ZR2

## BUMPER INSTALL

### □ STEP 25

Using a (9/16 socket), install the stealth fighter front bumper with the provided **(A, A1)** 3/8-16 X 1 1/4" hex head bolts, and 3/8" flat washers, on the **outside** mounting holes as shown below.

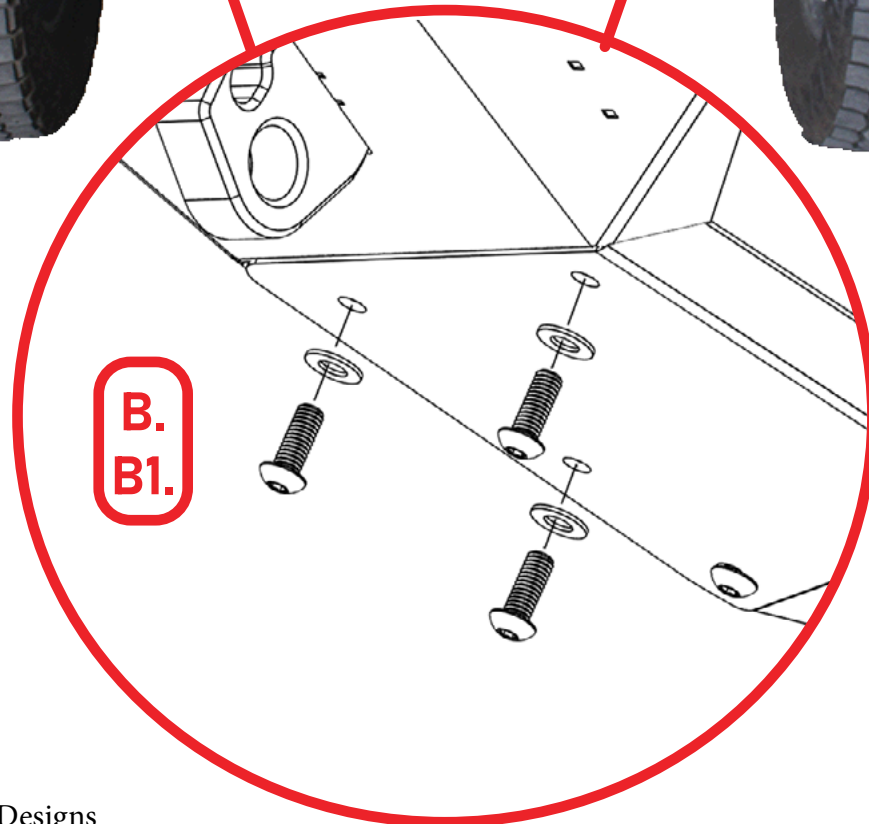
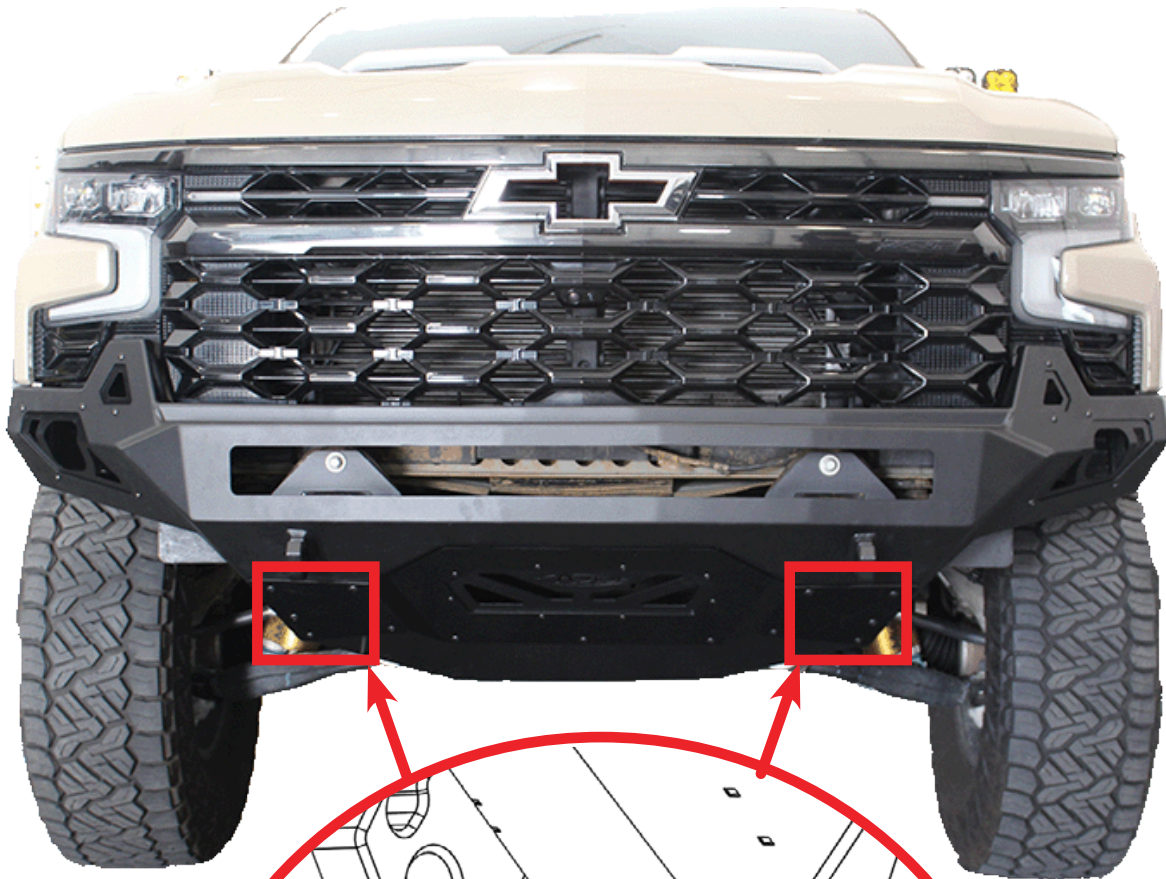


## STEALTH FIGHTER FRONT BUMPER 2022-23/CHEVY SILVERADO ZR2

## BUMPER INSTALL

### □ STEP 26

Using a (7/32 allen) install the skid plate with the provided **(B, B1)** 3/8-16 X 1" button head bolts, and 1/4" flat washers in the u-nuts installed in **step 15**.

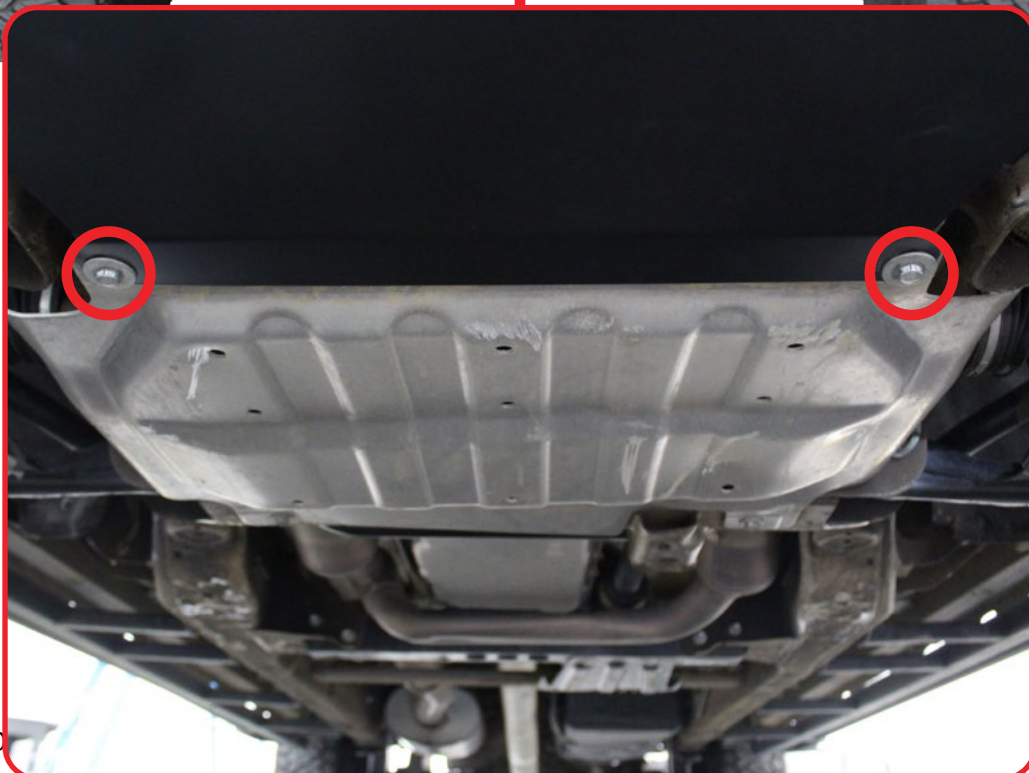


## STEALTH FIGHTER FRONT BUMPER 2022-23/CHEVY SILVERADO ZR2

## BUMPER INSTALL

### □ STEP 27

Using a (13mm socket) install 2x skid plate bolts removed from step 7.



## STEALTH FIGHTER FRONT BUMPER 2022-23/CHEVY SILVERADO ZR2

## BUMPER INSTALL

### □ STEP 28

Trim the inner wheel well using a (razor blade/scissors) as shown below.





## STEALTH FIGHTER FRONT BUMPER 2022-23/CHEVY SILVERADO ZR2

## FINAL

### □ STEP 29

Stand back and enjoy your new ADD Stealth Fighter Front Bumper.

Check and re-tighten, if needed, all mounting bolts after 100 miles and periodically thereafter.



THIS PRODUCT IS PROTECTED BY ONE OR MORE U.S. PATENTS  
[WWW.ADDICTIVEDESERTDESIGNS.COM/PATENTS](http://WWW.ADDICTIVEDESERTDESIGNS.COM/PATENTS)

FOR ADDITIONAL SUPPORT OR TECHNICAL QUESTIONS,  
PLEASE CALL 480-671-0820 OR  
EMAIL [INFO@ADDICTIVEDESERTDESIGNS.COM](mailto:INFO@ADDICTIVEDESERTDESIGNS.COM)