



Installation Instructions

A2 Series – Rear Replacement 2019 - Current RAM 1500

I. SAFETY

THE SAFETY OF YOU AND OTHERS IS VERY IMPORTANT TO US!

In order to minimize this risk and make an informed decision about safety, it is important that you carefully read and follow the installation instructions we have provided.

We urge you to use your own good judgment and allow plenty of time for install.

II. HAZARD CHECKLIST

- Always wear personal protective equipment (PPE) such as: protective eye wear, gloves, close toed shoes, etc.
- We recommend that you use a certified mechanic or shop for professional installation.
- Always set emergency brakes on vehicle and use tire blocks to ensure vehicle stabilization.
- Use caution when lifting, we recommend the use of equipment to help lift bumpers into place.
- Use caution when using power tools such as air ratchet, etc.
- Take caution when installing wiring.
- Perform regular inspections of hardware, bolts, brackets, etc.
- Rigid light brackets are specifically designed to fit Rigid lights, we do not guarantee off brand fitment.
- Our winch mount is designed for Warn and Superwinch products. We do not guarantee off brand fitment.

III. USE & RISK

Bodyguard Products LLC is not responsible for damage to our products, or other subsequent damage that might occur, as a result of misuse or improper installation. While we do manufacture products that appear stronger than factory parts, our products should not be viewed or relied upon as life-saving devices in the event of a collision or rollover. We make no claims relating to airbag compatibility, crashworthiness, or sturdiness. It is the customer's responsibility to check with the vehicle manufacturer or auto dealer regarding airbag compatibility and automobile manufacturer's warranty before installing our products.

IV. PREPARATION

- Ensure personal safety by checking for hazards and identifying risks.
- Check for correct hardware.
- Check for tools needed.
- Use either foam or tape on body side and tailgate to prevent scratches to the truck when installing your bumper.
- Please allow approximately 2-3 hours for installation.

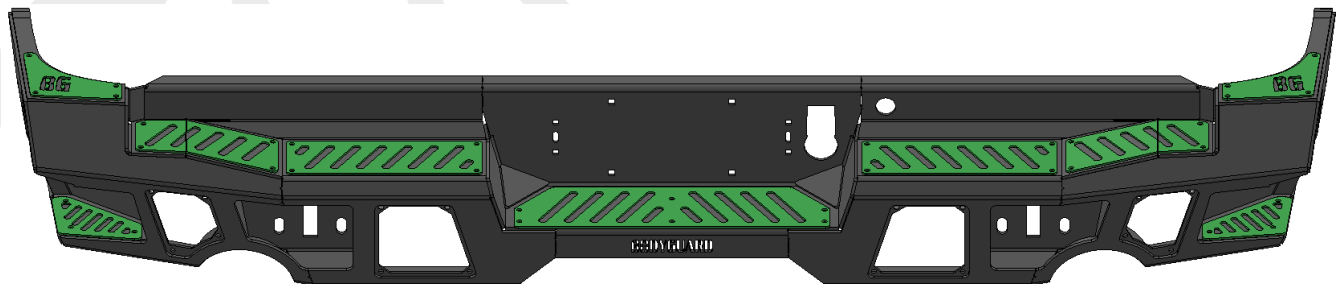
V. PARTS LIST

DO NOT SUBSTITUTE OR USE ANY OTHER HARDWARE.

	A2 Rear License Plate Kit	Qty
T1-HK-LPR	Plastic License Plate Nuts	4
	#14 x 5/8" Zinc License Plate Screw	4
	Plastic Wire Splices	4
	Tag Lights	2
	Tag Light Screws	0
	Plastic Clips For Tag Lights	4

	A2 Rear Mount Kit RAM 19+ 1500	Qty
A2-HK-DRL19	1/2" Washer, Grade 8 Zinc-Yellow	8
	1/2"-13 x 1-1/2" Stainless Steel Hex Bolt	8
	1/2" Stainless Steel Flat Washer	8
	1/2"-13 Grade 8 Steel Serrated Flange Nut Zinc	8
	1/4-20 x 5/8 Long, Stainless Steel SBHCS	60
	1/4-20 Hex Grade 5 Serrated Flange Nut, Stainless Steel	60
	7/16-14 x 1-1/4" Long, Grade 8 HB Zinc-Yellow	4
	7/16 Washer, Grade 8 Zinc-Yellow	8
	7/16-14 Grade 8 Steel Serrated Flange Nut Zinc	4
	6MH8 3RXF AB-001 #10 - Sensor Bezel	3
	6829 5601 AC #10 - Retainer Clip	3
	6MH8 2RXF AB-001 #9 – Sensor Bezel	3
	6829 5600 AC #9 – Retainer Clip	3
	Heyco Sensor Plugs 27mm	2

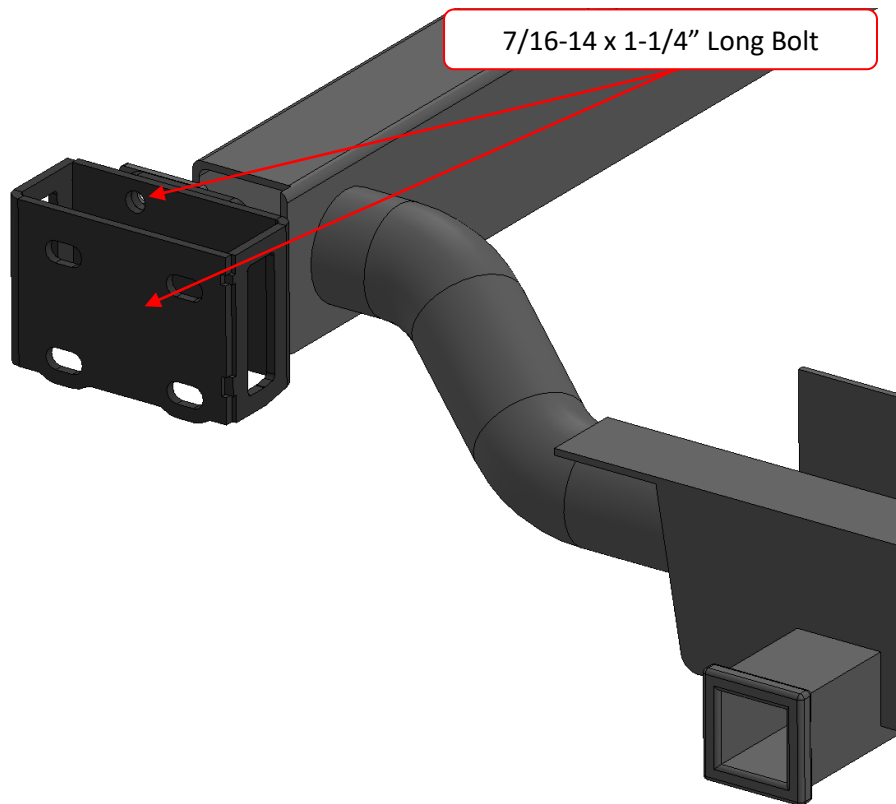
VIII. STEP PAD INSTALL



1. Install all step pads using 36x 1/4-20 x 5/8 Long bolt

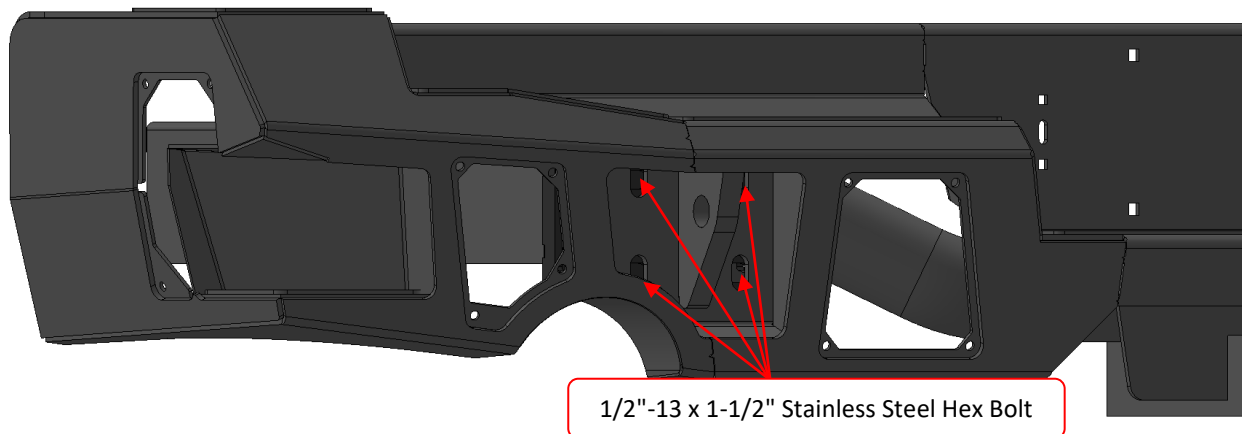
VIII. MOUNT INSTALLATION

1. Use **2x 7/16-14 x 1-1/4" Long Bolt** to secure the truck mounts to the frame. Make sure that the mounts are in the correct orientation showed below.
If the mounts are installed upside down the bumper will sit too high and possibly damage the tailgate if the tailgate is lowered. Slowly open tailgate once bumper is installed to insure correct fitment.



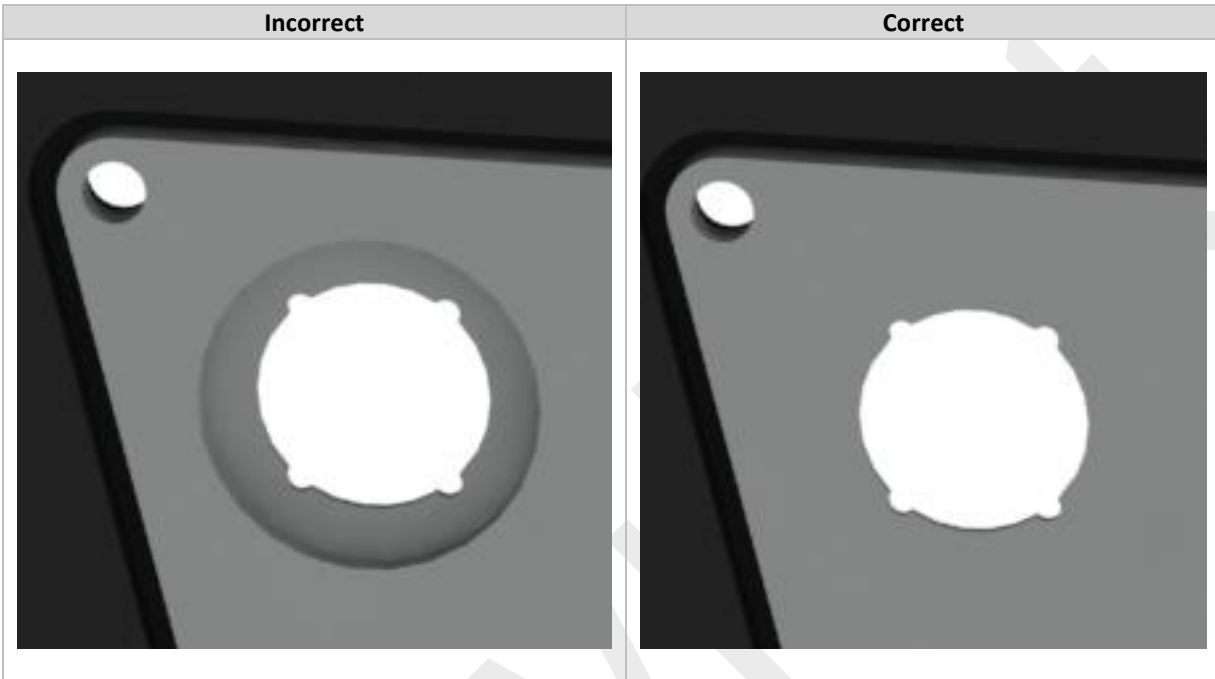
IX. BUMPER INSTALLATION

1. Use **4x 1/2"-13 x 1-1/2" Stainless Steel Hex Bolt** to secure the bumper to the mounts.



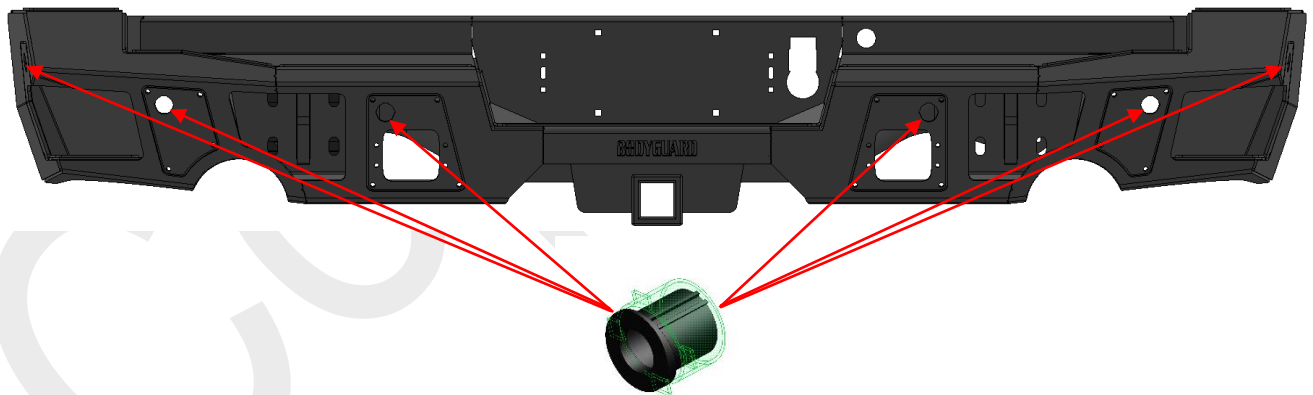
VI. BOLT-ON PLATE INSTALLATION

Sensor plates need to be positioned so that the machined face is to the **inside** of the bumper like shown below. If installed incorrectly the backup sensors may not function correctly.



*Sensor cutout will vary from image shown above

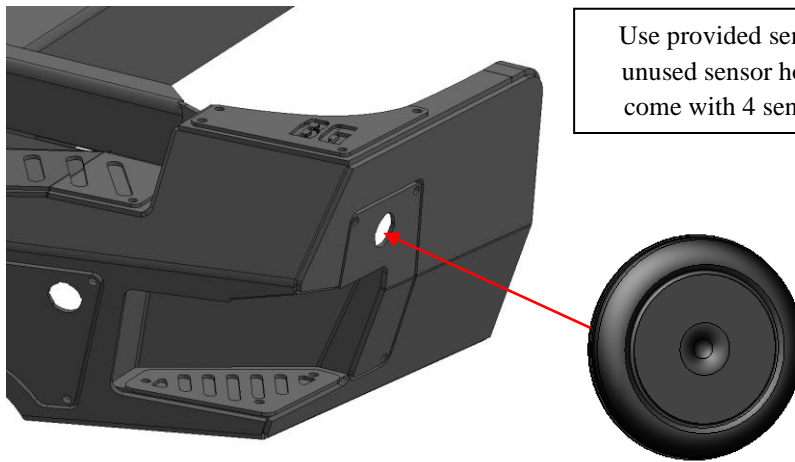
VI. SENSOR BEZELS AND PLUGS



Outside D-Wing	Inside D-Wing	Center D	Center P	Inside P-Wing	Outside P-Wing
3RXF AB #10 6829 5601 AC #10	3RXF AB #10 6829 5601 AC #10	3RXF AB #10 6829 5601 AC #10	2RXF AB #9 6829 5600 AC #9	2RXF AB #9 6829 5600 AC #9	2RXF AB #9 6829 5600 AC #9

Installation Instructions

**A2 Series – Rear Replacement
2019 - Current RAM 1500**



Use provided sensor plugs for any unused sensor holes. Some trucks come with 4 sensors instead of 6.

IX. FINISHING UP

- Re install all factory wiring and tag lights.
- Install shackles.
- Be sure to check for tailgate clearance BEFORE tightening all hardware.
- Confirm that all hardware is tightened and everything is secure.
- Secure wiring harnesses for lights and sensors.
- Test all lighting and wiring before using vehicle (fog lights, sensors, etc.).

X. MAINTENANCE

- Frequently check that all hardware is tightened and that all wiring and connections are secure.

FEEDBACK

We'd love to hear from you! Please send your pictures, testimonials, comments, or suggestions to us by email at info@bodyguardbumpers.com. We frequently use customer pictures for brochures and marketing materials, and we always welcome customer feedback to ensure quality improvements within our company. Thanks for your purchase; we appreciate your business very much!

Where STRENGTH Meets *Style!*™