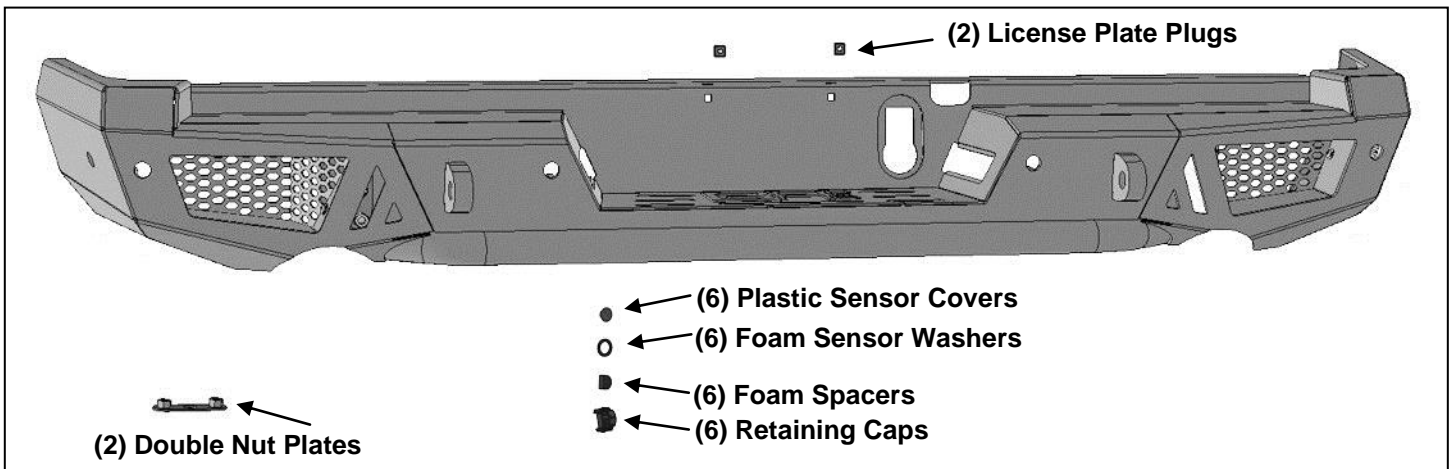


## 2019-2023 DODGE RAM 1500 AMBUSH REAR BUMPER PART #DG-2966

### PARTS LIST:

1	Ambush Rear Bumper Assembly	4	12mm x 37mm x 3mm Flat Washers
2	Plastic Plugs for license plate mount	4	12mm Lock Washers
6	Retaining Caps	12	4mm x 15mm Self Tapping Screws
6	15.5mm x 25mm x 2mm Foam Washers	2	4mm x 10mm Button Head Bolts
6	20mm x 10mm Foam Spacers	4	4mm x 12mm x 1.0mm Flat Washers
6	Plastic Sensor Covers	2	4mm Lock Washers
1	Sensor Cover Kit	2	4mm Hex Nuts
2	12mm Double Nut Plates	1	2.5mm Wrench
4	12-1.75mm x 35mm Hex Bolts	10	Nylon Cable Ties 200mm



### PROCEDURE:

REMOVE CONTENTS FROM BOX. VERIFY ALL PARTS ARE PRESENT. READ INSTRUCTIONS CAREFULLY BEFORE STARTING INSTALLATION. BUMPER IS HEAVY, ASSISTANCE IS HIGHLY RECOMMENDED TO AVOID POSSIBLE INJURY OR DAMAGE TO THE VEHICLE. ALLOW EXHAUST TO COMPLETELY COOL BEFORE STARTING INSTALLATION.

1. Start installation by unplugging all wiring harnesses leading to the rear bumper, **(Figure 1)**. Move harness away from the bumper.
2. Remove the rear license plate and remove the (2) hex bolts behind the license plate, **(Figure 2)**.
3. Place blocks or jack stands under the bumper to support it during bumper bolt removal. Once the bumper has been safely supported, remove the (4) factory hex nuts, (2 per side), and slide the rear bumper off of the end of the frame, **(Figures 3 & 4)**. **WARNING!** Assistance is required to hold the bumper in place during hardware removal and to prevent the bumper from falling. Move the bumper to a clean stable work surface.
4. Disassemble the bumper to remove the wiring harness, license plate lights, towing harness plug, remote antenna module and all sensors as equipped. Pay close attention to the location of all sensors for reinstallation.
5. Determine if the vehicle is equipped with bumper mounted sensors.

#### Models without bumper sensors:

- a. Select the included (6) Plastic Sensor Covers, **(Figure 5)**.
- b. From the front of the bumper, push Covers into sensor mounting holes, **(Figure 5)**.

#### Models with bumper mounted parking sensors:

- a. Remove the silicone seal from the end of the sensor. Slide (1) Foam Washer over front of sensor, **(Figure 6)**.



# INSTALLATION INSTRUCTIONS

- b. Insert sensor with Foam Washer into sensor mount, **(Figure 7)**.
- c. Place Foam Spacer over end of sensor. Push (1) Sensor Retaining Cap into sensor mount and lock into mounting holes, **(Figure 7)**.
- d. Repeat previous Steps to install remaining sensors.
- e. **Optional:** Secure each sensor to the socket with (2) 4mm x 15mm Self Tapping Screws.  
**IMPORTANT:** Sensors fit snug in sockets. The 4mm Screws are used to apply slight pressure to lock the sensors in place. Tighten both screws evenly until they touch the sensor body only. Do not overtighten screws or damage to sensors will result.

## **Models with Tire Pressure Monitoring System (TPMS):**

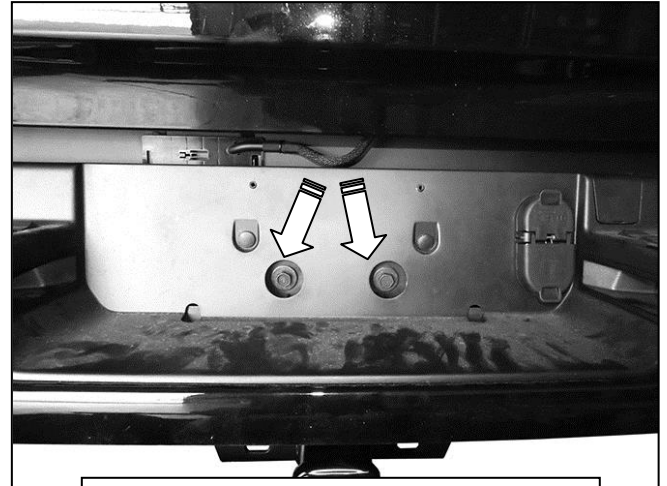
- a. Select the TPMS remote antenna, **(Figures 8 & 9)**.
- b. Attach the TPMS antenna to the (2) mounting tabs on the back of the Bumper with the included (2) 4mm x 20mm Button Head Bolts, (4) 4mm Flat Washers, (2) 4mm Lock Washers and (2) 4mm Hex Nuts, **(Figures 8 & 9)**.
6. Attach bumper wiring harness to Bumper and plug into sensors if equipped. **IMPORTANT:** Run the wiring harness above the Brackets to clear the exhaust tips. It may be necessary to remove a portion of the outer wiring cover on the harness to allow the harness to reach the sensors. Use the included plastic wire ties to secure the harness.
7. Slide the driver/left license plate light into the channel on the back of the Bumper, **(Figure 10)**. Reuse the factory bolt to attach the light to the mounting bracket. Repeat this Step to install the passenger/right license plate light. Plug factory wiring harness into lights.
8. Insert the included (2) push-in plugs to attach the license plate to the Bumper, **(Figure 11)**.
9. Insert the trailer plug into the opening in the Bumper if equipped, **(Figure 11)**.
10. **LED light installation at ends of bumper**, (sold separately).
  - a. Insert light into opening and up to mounting slots. Check for clearance between front and back of light. If necessary, remove the screen from the back of the opening for additional clearance or access to light, **(Figure 12)**.
  - b. Follow the light manufacturer's instructions to attach (1) light to the center slot or (2) lights to the inner and outer slots in the top of the light opening.
  - c. Repeat the above steps for passenger side light installation.
  - d. Follow light manufacturer's instructions to properly wire the light.
  - e. **IMPORTANT:** If lights are to be installed on models with Dual Exhaust, screens must be removed before installing the Bumper.
11. With assistance, position the Bumper up to the bumper brackets on the ends of the frame. Temporarily support the weight of the Bumper Assembly. **WARNING:** To avoid possible injury or damage to the vehicle, do not proceed until the Bumper is fully and safely supported.
12. Line up the (2) mounting holes in the back of the driver/left side of the bumper with the brackets on the end of the frame. Slide (1) 12mm Double Nut Plate into place behind the mounting plate on the back of the Bumper, **(Figure 13)**. Attach the Bumper to the frame and Nut Plate with (2) 12mm Hex Bolts, (2) 12mm Lock Washers and (2) 12mm Flat Washers, **(Figures 13 & 14)**. Leave hardware loose at this time. Repeat to attach the passenger/right side of the Bumper to the frame bracket.
13. Slowly open the tail gate and check for clearance. Level and adjust the Bumper and tighten all hardware.
14. Reattach the bumper wiring harness and towing harness to the main wiring harness. Reuse factory hardware to attach license plate to the plastic plugs in Bumper.
15. Do periodic inspections to the installation to make sure that all hardware is secure and tight.

**To protect your investment,** Do not use any type of polish or wax that may contain abrasives that could damage the finish. Mild soap may be used to clean the Bumper assembly.

Driver/left side installation pictured



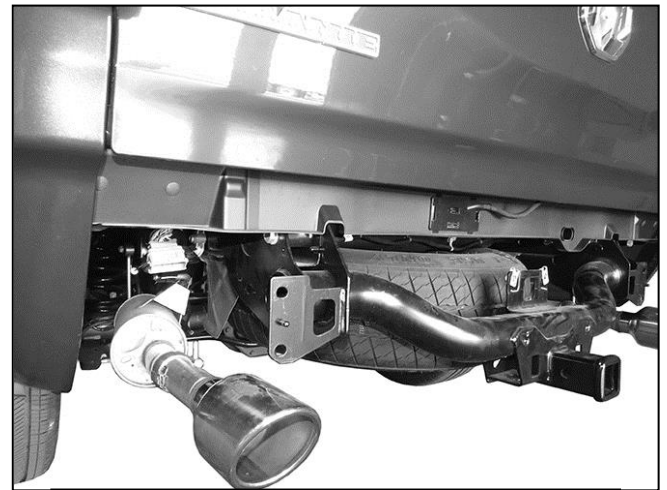
(Fig 1) Unplug wiring harness leading to bumper



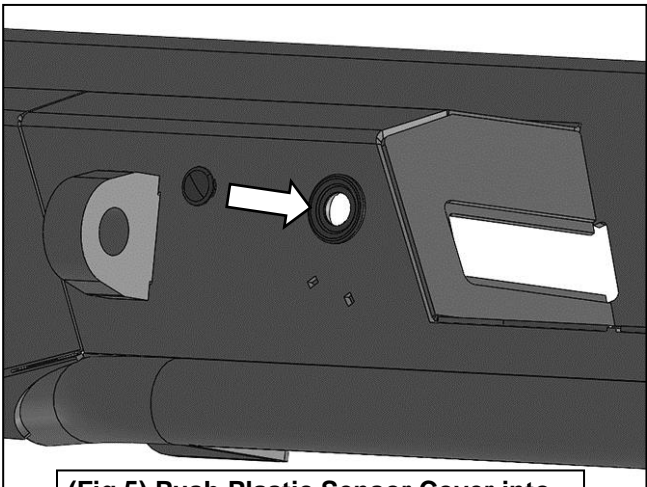
(Fig 2) Remove license plate to access and remove (2) hex bolts (arrows)



(Fig 3) Remove hex nuts to remove bumper (arrow)



(Fig 4) Factory bumper assembly removed



(Fig 5) Push Plastic Sensor Cover into the front of the sensor mounting sleeve

**WARNING!** Do not remove bumper bolts unless the bumper is properly supported on blocks or stands or the bumper may fall.

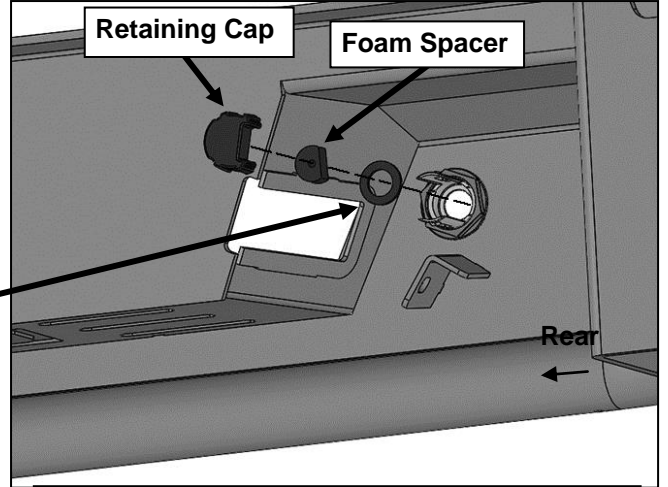
Models with dual exhaust, allow exhaust to completely cool before starting installation

Driver/left side installation pictured

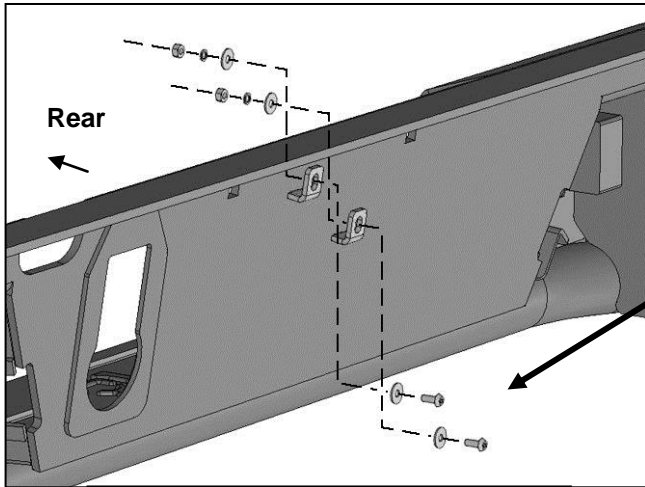


(Fig 6) Remove silicone seal from sensor. Slide Foam Washer over end of sensor

**WARNING!** Do not crawl under bumper unless the bumper is properly supported on blocks or stands or the bumper may fall.

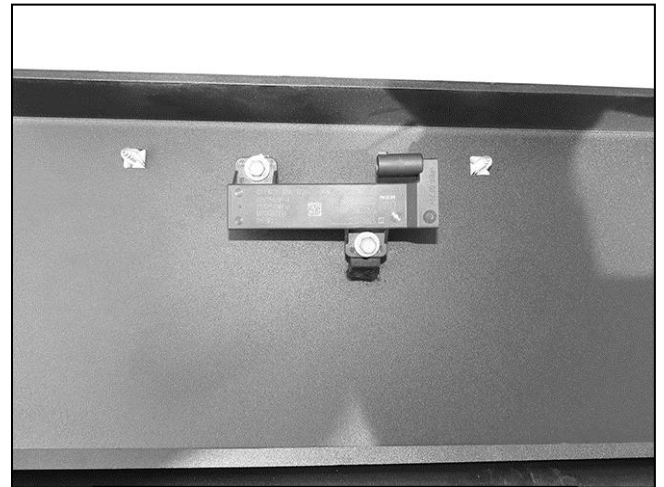


(Fig 7) Slide sensor into sleeve, insert Foam Washer and Clip to lock sensor in sleeve

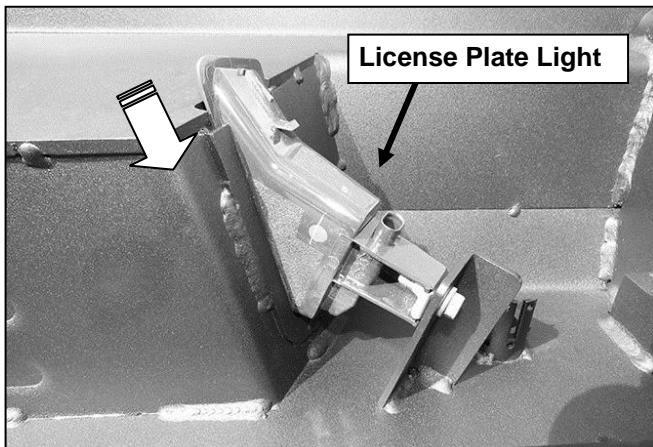


(Fig 8) Attach TPMS remote antenna to tabs on back of Bumper

- (2) 4mm Button Head Bolts
- (4) 4mm Flat Washers
- (2) 4mm Lock Washers
- (2) 4mm Hex Nuts

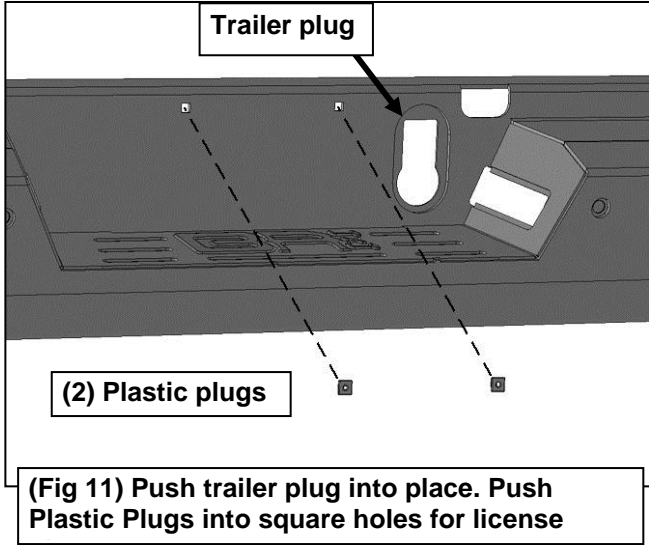


(Fig 9) Attach TPMS remote antenna to tabs on back of Bumper

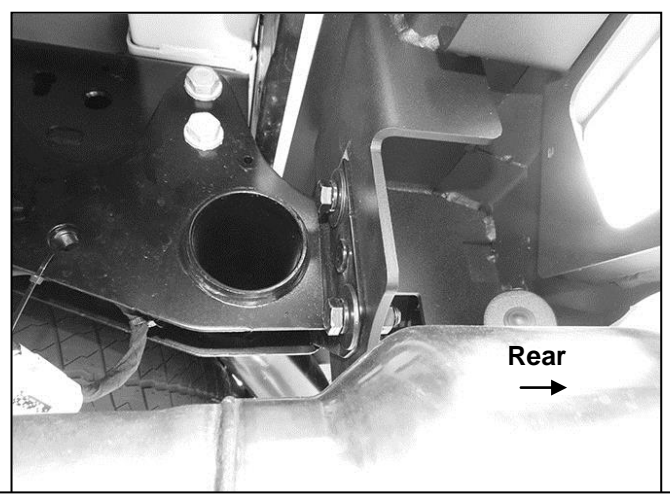
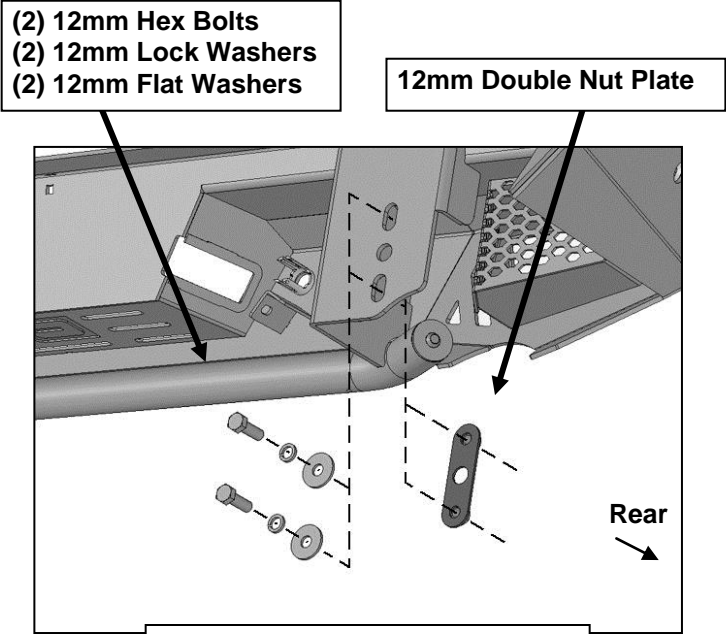
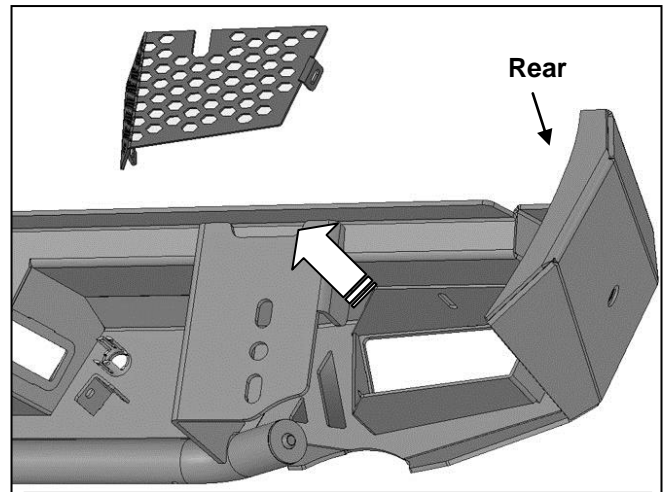


(Fig 10) Slide license plate light into channel on back of Bumper. Reuse factory hex bolt to attach light to bracket

Driver/left side installation pictured



**IMPORTANT:** On models with dual exhaust, if bumper installation will include accessory lights, check for clearance around lights before installing bumper. Screens are difficult to remove once bumper is installed.



**WARNING!** Do not crawl under bumper unless the bumper is properly supported on blocks or stands or the bumper may fall.