

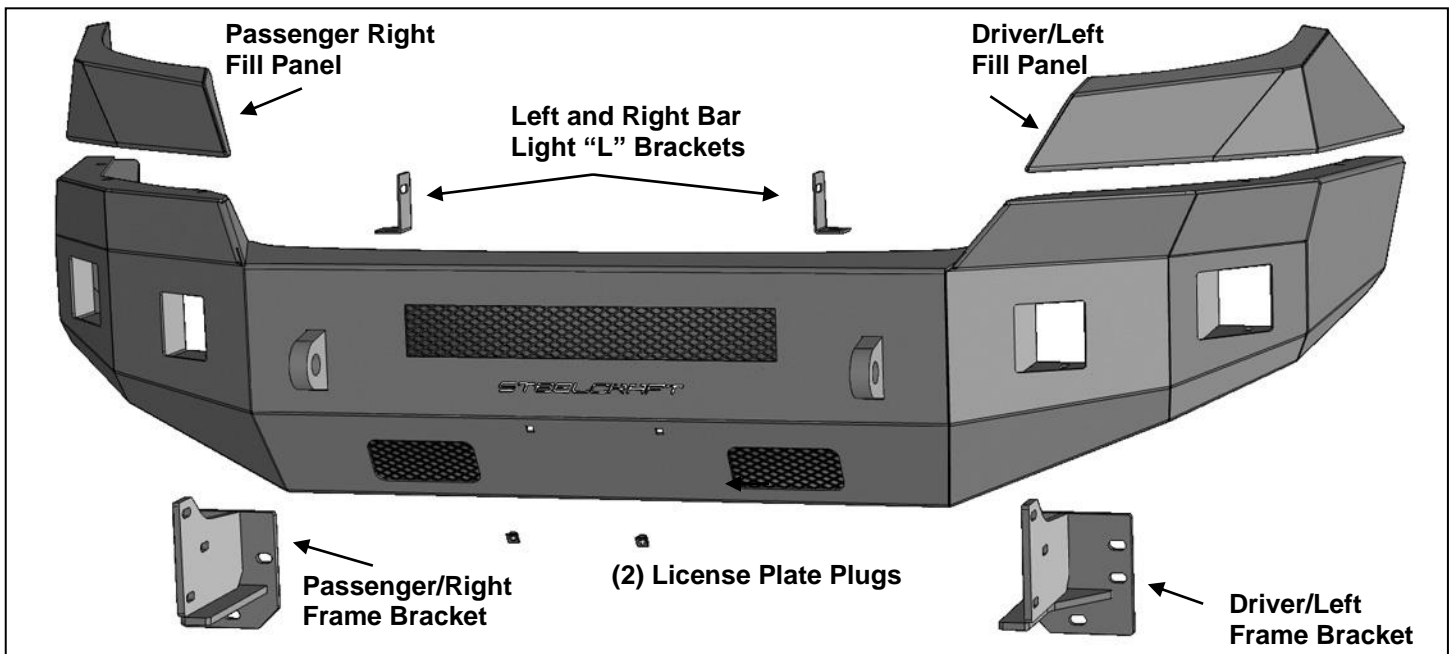
# **INSTALLATION INSTRUCTIONS**

**FORTIS FRONT BUMPER  
2016-18 TOYOTA TACOMA**

**FORTIS FRONT BUMPER  
2016-18 TOYOTA TACOMA**

**PARTS LIST:**

1	Fortis Front Bumper	12	10mm x 30mm x 2.5mm Flat Washers
1	Driver/left Filler Panel	6	10mm Lock Washers
1	Passenger/right Filler Panel	6	10mm Hex Nuts
1	Driver/left Frame Mounting Bracket	2	8-1.25mm x 16mm Hex Bolts
1	Passenger/right Frame Mounting Bracket	2	8-1.25mm x 25mm Hex Bolts
2	Plastic Plugs for License Plate	6	8mm x 24mm x 2mm Flat Washers
1	"L" Light bracket driver side	4	8mm Lock Washer
1	"L" Light bracket passenger side	2	8mm Hex Nut
2	12-1.75mm x 120mm Hex Bolts	6	6mm x 20mm Hex Bolts
4	12mm x 32mm OD x 3mm Flat Washers	12	6mm x 12mm x 1.6mm Flat Washers
2	12mm Nylon Lock Nuts	6	6mm Nylon Lock Nuts
6	10-1.5mm x 40mm Hex Bolts		



**PROCEDURE:**

**REMOVE CONTENTS FROM BOX. VERIFY ALL PARTS ARE PRESENT. READ INSTRUCTIONS CAREFULLY BEFORE STARTING INSTALLATION. ASSISTANCE IS RECOMMENDED TO AVOID POSSIBLE INJURY OR DAMAGE TO THE VEHICLE. CUTTING IS REQUIRED.**

1. Remove the license plate and bracket. Open the hood and remove the plastic cover from the top of the radiator and grille, **(Figure 1)**. Next, carefully remove the plastic grille, **(Figure 2)**. Remove the air dam from the bottom of the bumper.
2. On models with factory fog lights, unplug both lights. Unplug the wiring harness leading to the bumper and move the harness out of the way.
3. Carefully pull the front leading end of the fender flares to release the plastic flare from the bumper cover, **(Figure 3)**. The flares do not need to be fully removed, simply release the front portion and leave the rest of the flare attached.
4. Remove the hardware attaching the plastic bumper cover at the ends, the top and the bottom. With assistance, pop the ends off of the inner clip and pull the bumper off and away from the vehicle. Remove the plastic bumper mount from below the passenger/right side headlight, **(Figure 3)**. Reinstall the factory hardware to secure the headlight to the vehicle. Repeat to remove the bumper mount from the driver/left side of the vehicle.
5. Remove the aluminum inner bumper assembly with brackets from the end of the frame, **(Figures 4 & 5)**. Next, remove the plastic splash guards from both sides, **(Figure 5)**.

6. Select the driver/left Frame Bracket, **(Figure 6)**. Reuse the (3) factory hex nuts to attach the Bracket to the frame, **(Figures 6—8)**.
7. Insert (1) 12mm x 120mm Hex Bolt with (1) 12mm Flat Washer through the lower mounting hole in the Bracket and through the end of the frame channel. Use the included (1) 12mm Flat Washer and (1) 12mm Nylon Lock Nut to secure the Bracket to the lower mounting hole, **(Figures 6, 8 & 9)** Snug but do not fully tighten hardware at this time.
8. Repeat **Steps 6 & 7** to install the passenger/right Frame Bracket.

**Optional Center LED light installation (sold separately).**

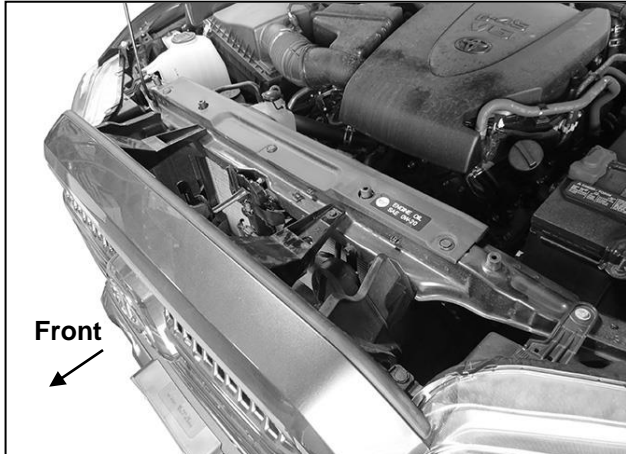
- a. Select the L/R “L” Brackets, **(Figure 10)**. **NOTE:** “L” Brackets are offset for universal fitment for most LED bar style lights. Attach the LED light assembly to the “L” Brackets with the included (2) 8mm x 16mm Hex Bolts, (2) 8mm Lock Washers and (2) 8mm Flat Washers. Do not fully tighten hardware at this time. **NOTE:** “L” Brackets may require modification for hardware larger than 8mm or use brackets supplied with light if possible.
  - b. Attach the light and Brackets to the top of the (2) tabs on the back of the Bumper with the included 8mm x 25mm Hex Bolts, (4) 8mm Flat Washers, (2) 8mm Lock Washers and (2) 8mm Hex Nuts, **(Figure 10)**. Adjust light position and tighten hardware.
  - c. Follow light manufacturer’s instructions to wire the light once Bumper has been fully installed.
9. Select the driver/left Bumper Upper Fill Panel, **(Figure 11)**. Attach the Fill Panel to the top of the Bumper with (3) 8mm x 20mm Hex Bolts, (6) 8mm Flat Washers and (3) 8mm Nylon Lock Nuts. Line up the edges of the Fill Panel with the Bumper and full tighten the hardware. Repeat this Step to install the passenger/right Fill Panel.
  10. With assistance, position the Bumper Assembly up to the outside of the Frame Brackets. Temporarily support the weight of the Bumper. **WARNING:** To avoid possible injury or damage to the vehicle, do not proceed until the Bumper is fully and safely supported.
  11. Line up the driver/left side mounting plate on the back of the Bumper with the (3) slots in the Frame Bracket. Attach the Bumper to the Bracket with the included (3) 10mm x 40mm Hex Bolts, (6) 10mm Flat Washers, (3) 10mm Lock Washers and (3) 10mm Hex Nuts, **(Figures 12 & 13)**. Do not fully tighten hardware at this time. Repeat this Step to attach the passenger/right side of the Bumper.
  12. Level and adjust the bumper and fully tighten all 10mm hardware to 35-37ft-lbs.
  13. Use the included (2) push-in plastic nuts to attach the front license plate, (if required), to the (2) holes in the front bumper, **(Figure 14)**.
  14. Cover the driver/left plastic fender flare with removable tape, (masking tape for example). Hold the fender flare in position on the fender and over the end of the Bumper. Draw a straight line onto the tape to match where the end of the fender and Bumper meet, **(Figure 15)**. Use a sharp knife or hacksaw blade to carefully cut the leading end off of the flare along the line. Reattach the fender flare to the fender. Repeat to cut the passenger/right fender flare.

**LED light installation at ends of bumper (sold separately).**

- a. Insert light into opening and onto mounting slot.
  - b. Follow the light manufacturer’s instructions to attach light to the light opening. **IMPORTANT:** On two light systems, attach the flood light to the outer slot and the spot light to the inner slot.
  - c. Repeat the above steps for passenger side light installation.
  - d. Follow light manufacturer’s instructions to properly wire the light.
15. Do periodic inspections to the installation to make sure that all hardware is secure and tight.

**To protect your investment**, wax this product after installing. Regular waxing is recommended to add a protective layer over the finish. Do not use any type of polish or wax that may contain abrasives that could damage the finish. Mild soap may be used to clean the Front Bumper assembly.

Driver/left Side Installation Pictured



(Fig 1) Remove plastic cover from top of radiator



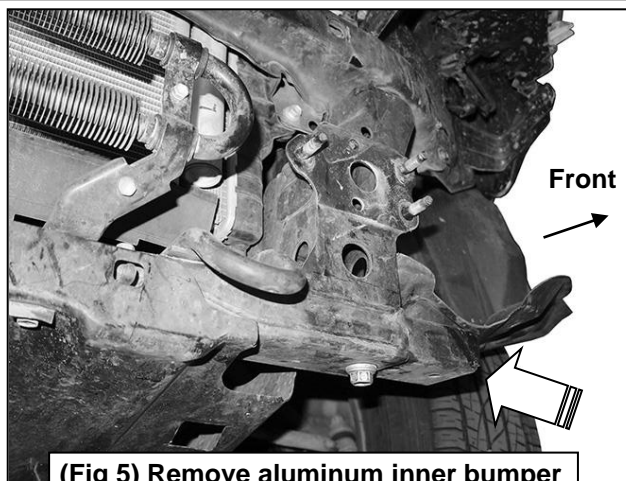
(Fig 2) Remove grille, air dam from below bumper and license plate. Remove plastic bumper cover



(Fig 3) Remove plastic block (arrow) from front edge of fender. Reinstall hardware to secure headlight

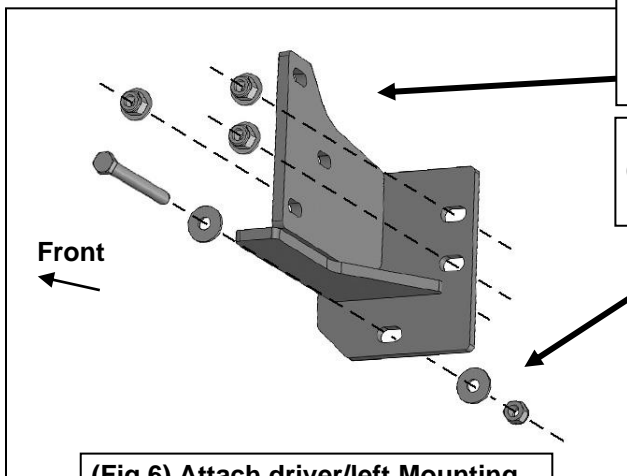


(Fig 4) Remove plastic impact bumper and aluminum crossbar from bumper brackets



(Fig 5) Remove aluminum inner bumper from frame. Also remove outer frame ends from crossmember, (arrow).

Driver/left Side Installation Pictured

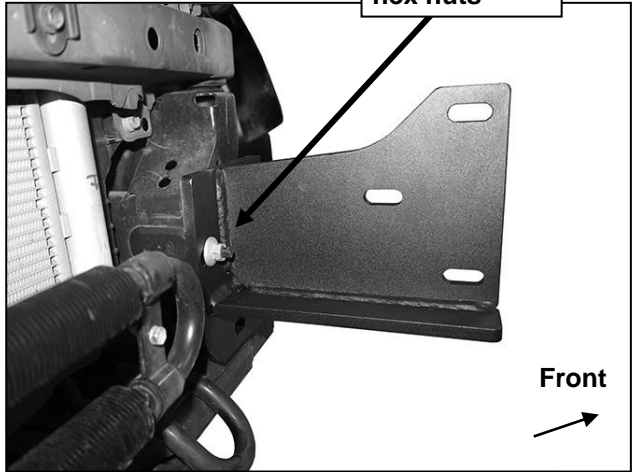


Reuse (3) factory hex nuts to attach driver/left Frame Mounting Bracket to end of frame

12mm x 120mm Hex Bolt  
(2) 12mm Flat Washers  
12mm Nylon Lock Nut

Reuse factory hex nuts

(Fig 6) Attach driver/left Mounting Bracket to end of frame

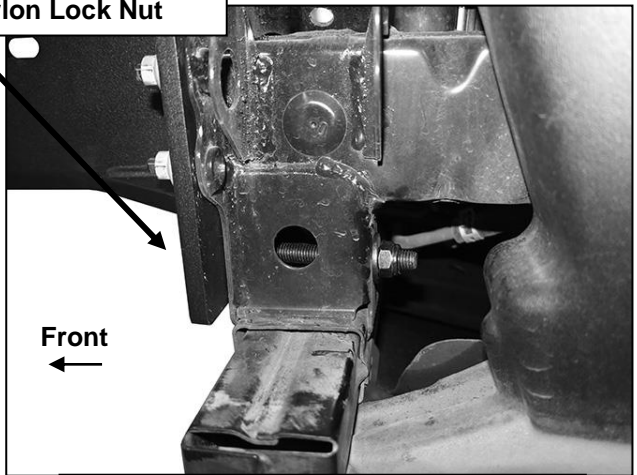


(Fig 7) Driver/left Mounting Bracket attached to end of frame

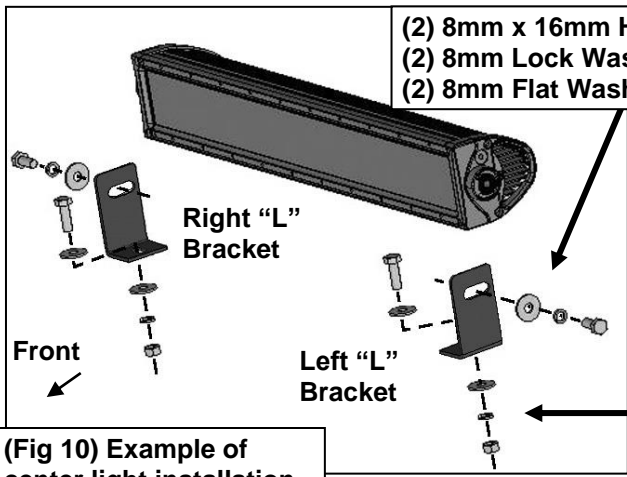


(Fig 8) Driver/left Mounting Bracket attached to end of frame

12mm x 120mm Hex Bolt  
(2) 12mm Flat Washers  
12mm Nylon Lock Nut



(Fig 9) Insert 12mm x 120mm Hex Bolt through Bracket and cross member



(2) 8mm x 16mm Hex Bolts  
(2) 8mm Lock Washers  
(2) 8mm Flat Washers

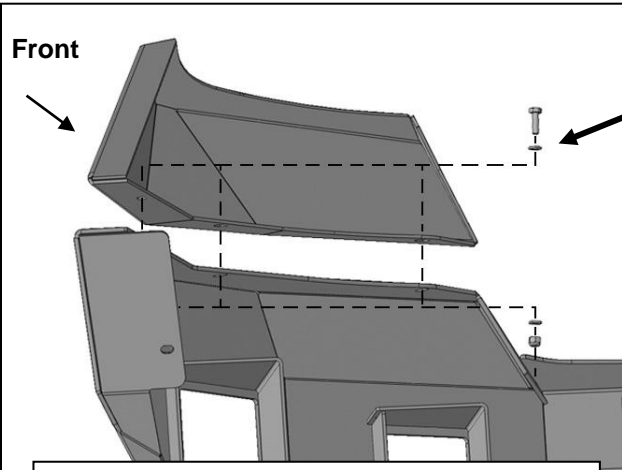
Right "L" Bracket

Left "L" Bracket

(2) 8mm x 25mm Hex Bolts  
(4) 8mm Flat Washers  
(2) 8mm Lock Washers  
(2) 8mm Hex Nuts

(Fig 10) Example of center light installation

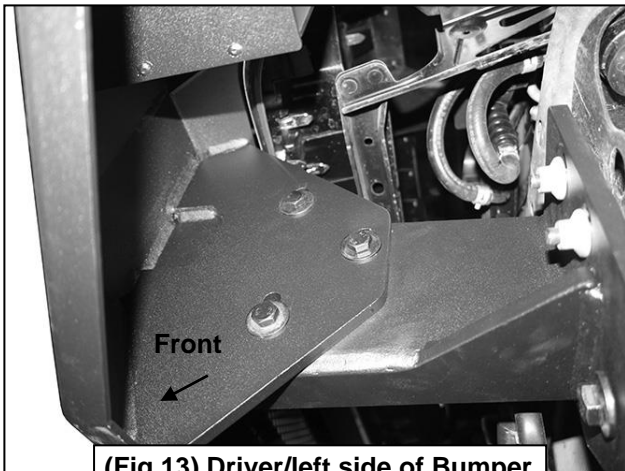
Driver/left Side Installation Pictured



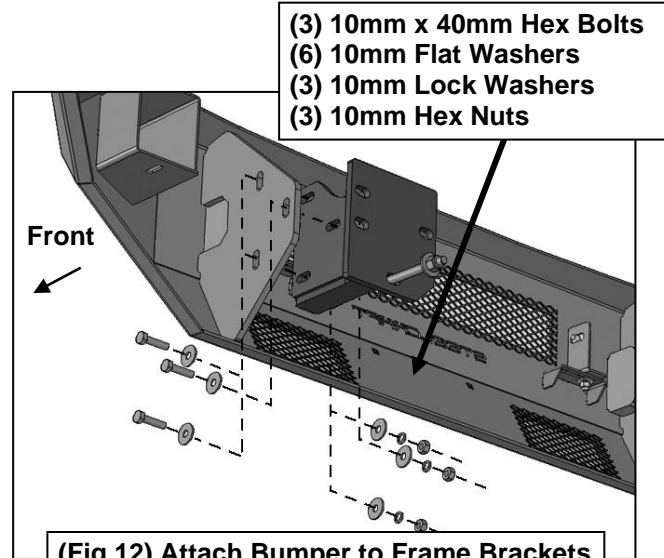
- (3) 6mm x 20mm Hex Bolts
- (6) 6mm Flat Washers
- (3) 6mm Nylon Lock Nuts

**WARNING!** Do not crawl under bumper unless the bumper is properly supported on blocks or stands or the bumper may fall.

(Fig 11) Attach Fill Panel to top of Bumper



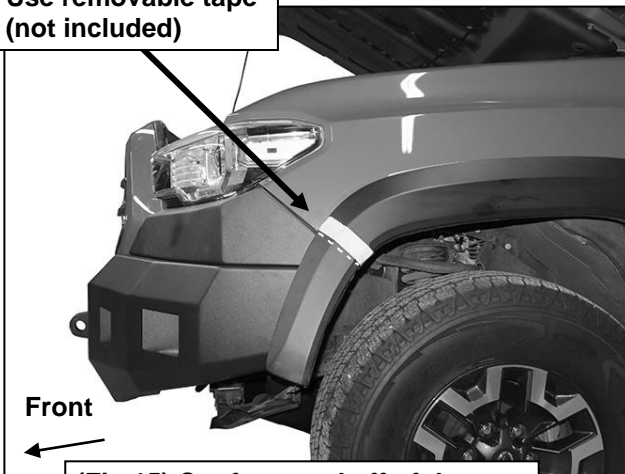
(Fig 13) Driver/left side of Bumper attached to Bracket



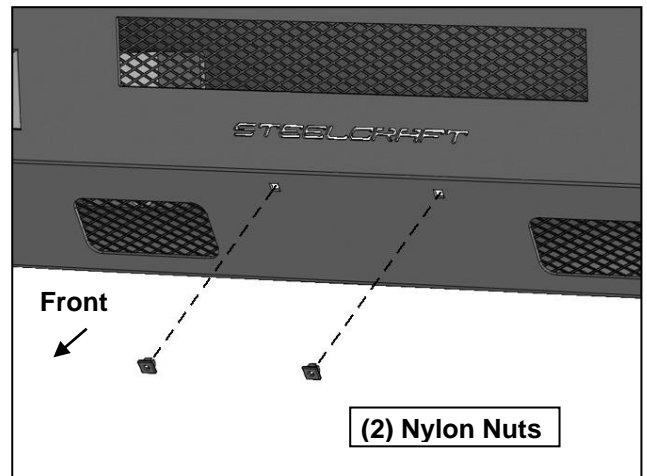
- (3) 10mm x 40mm Hex Bolts
- (6) 10mm Flat Washers
- (3) 10mm Lock Washers
- (3) 10mm Hex Nuts

(Fig 12) Attach Bumper to Frame Brackets

Use removable tape (not included)



(Fig 15) Cut front end off of the fender flare to match up to Bumper



- (2) Nylon Nuts

(Fig 14) Attach License Plate to Bumper