

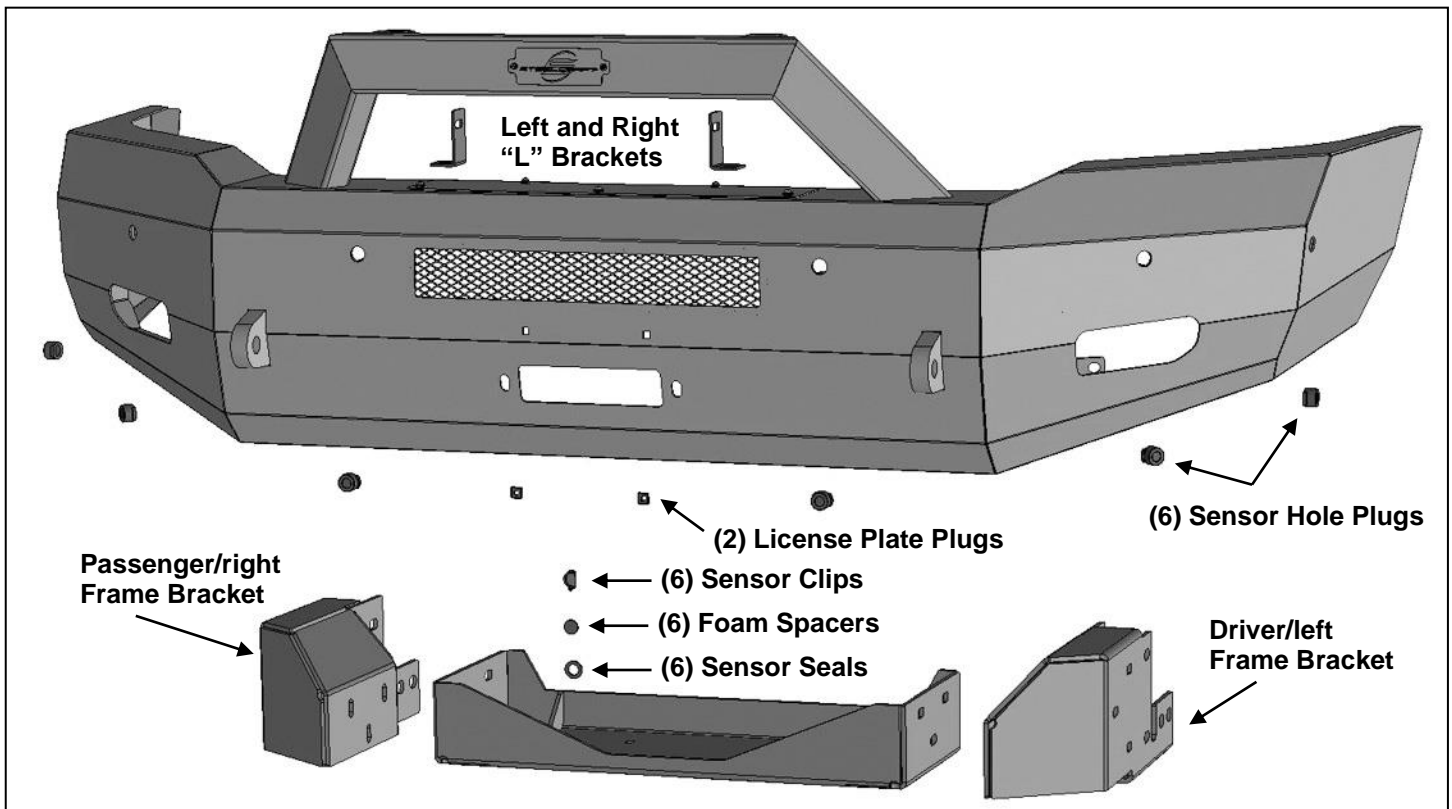
INSTALLATION INSTRUCTIONS

**ELEVATION BULL NOSE FRONT BUMPER
2019 DODGE RAM 2500-3500**

**ELEVATION BULL NOSE FRONT BUMPER
2019 DODGE RAM 2500-3500**

PARTS LIST:

1	Elevation Front Bumper Assembly	12	12mm Lock Washers
1	Driver/left Frame Mounting Bracket	12	12mm Hex Nuts
1	Passenger/right Frame Mounting Bracket	2	8-1.25mm x 25mm Hex Bolts
1	Winch Tray	2	8-1.25mm x 16mm Hex Bolts
1	Access Cover	6	8mm x 24mm x 2mm Flat Washers
2	License Plate Mounting Plugs	4	8mm Lock Washers
1	Driver/left "L" LED Light Mounting Bracket	2	8mm Hex Nuts
1	Passenger/right "L" LED Light Mounting Bracket	5	6mm x 25mm Combo Bolts (access cover only)
6	15.5mm x 25mm x 2mm Foam Washers	6	6mm x 25mm Hex Bolts
6	Retaining Clips	12	6mm x 22mm x 2mm Flat Washers
6	20mm x 2mm Foam Spacer	6	6mm Nylon Lock Nuts
1	Sensor Cover kit	12	4mm x 10mm Socket Head Screws
6	Rubber Sensor Plugs	1	4mm Allen Wrench
12	12-1.75mm x 50mm Hex Bolts	1	2.5mm Allen Wrench
24	12mm x 37mm OD x 3mm Flat Washers		



PROCEDURE:

REMOVE CONTENTS FROM BOX. VERIFY ALL PARTS ARE PRESENT. READ INSTRUCTIONS CAREFULLY BEFORE STARTING INSTALLATION. BUMPER IS HEAVY, ASSISTANCE IS HIGHLY RECOMMENDED. CUTTING MAY BE REQUIRED.

1. Remove the license plate. On models with bumper mounted sensors and/or fog lights, unplug the wiring harness leading to the front bumper. Move the wiring harnesses out of the way.
2. Remove the hardware attaching the fender liners to the ends of the bumper, **(Figure 1)**.
3. Remove the tow hooks and hardware, **(Figure 2)**. **NOTE:** Tow hooks cannot be reinstalled.
4. Locate the factory bumper bolts attaching the inner bumper brackets to the end of the frame, **(Figure 2)**. With assistance, remove the (2) long hex bolts per side to remove the bumper assembly, **(Figure 2)**.

**ELEVATION BULL NOSE FRONT BUMPER
2019 DODGE RAM 2500-3500**

WARNING! Assistance is required to hold the bumper in place during hardware removal to prevent the bumper from falling.

5. Remove the lower frame extension from the driver/left side of the frame, **(Figure 3)**. **NOTE:** Lower frame extensions cannot be reinstalled.
6. Select the driver/left Frame Mounting Bracket, **(Figure 4)**. Line up the holes in the Bracket with the holes through the frame for the bumper bracket. Reuse the factory hex bolts to attach the Mounting Bracket to the frame, **(Figures 4 & 5)**. Snug but do not fully tighten hardware at this time. Repeat this Step to install the passenger/right side Mounting Bracket, **(Figure 5)**.
7. Select the Winch Tray assembly. Line up the Winch Tray between the Mounting Brackets. Attach the Winch Tray to the Mounting Brackets with (6) 12mm x 50mm Hex Bolts, (12) 12mm Flat Washers, (6) 12mm Lock Washers and (6) 12mm Hex Nuts, **(Figures 6—8)**. Do not fully tighten hardware.
8. If installing winch, attach winch to Winch Tray at this time. Winch must be installed before Bumper is placed in position against Brackets. Attach winch cable guide, (available separately), to Bumper assembly. Follow manufacturer's instructions to properly wire the winch to the electrical system.
9. **Optional Center LED light installation** (sold separately). **NOTE:** Light must be installed before Bumper Assembly is attached to the Winch Tray. **IMPORTANT:** Clearance between the bar style LED light and the winch and/or winch tray must be determined before installing Bumper assembly.
 - a. Select the L/R "L" Brackets, **(Figure 9)**. **NOTE:** "L" Brackets are offset for universal fitment for most LED bar style lights. Attach the LED light assembly to the "L" Brackets with the included (2) 8mm x 16mm Hex Bolts, (2) 8mm Lock Washers and (2) 8mm Flat Washers, **(Figure 10)**. Do not fully tighten hardware at this time. **NOTE:** "L" Brackets may require modification for hardware larger than 8mm or use brackets supplied with light if possible.
 - b. Attach the light and brackets to the top of the (2) tabs on the back of the Bumper with the included 8mm x 25mm Hex Bolts, (4) 8mm Flat Washers, (2) 8mm Lock Washers and (2) 8mm Hex Nuts, **(Figure 10)**. Adjust light position and tighten hardware.
 - c. Follow light manufacturer's instructions to wire the light once Bumper has been fully installed.
10. Carefully remove both fog light assemblies, all sensors and the wiring harness from the back of the OE bumper, **(Figure 11)**. Note location of each sensor for correct reinstallation.

Models without bumper sensors:

- a. Select the included (6) Rubber Plugs.
- b. From behind bumper, push plugs into sensor mounting holes, **(Figure 12)**. Use the included 4mm Screws to lock Plugs in mounting sleeves if desired.

Models with bumper mounted sensors:

- a. Select the driver/left outer sensor. Remove the seal from the end of the sensor, **(Figure 13)**. Replace the seal with the included larger Foam Seal.
 - b. Push the sensor into the matching mounting socket in the back of the Bumper.
 - c. Apply (1) Foam Washer to the plug end of the sensor, **(Figure 14)**. Trim Washer as required.
 - d. Secure the sensor to the socket with (1) Sensor Retaining Clip, **(Figure 14)**.
 - e. Move to the next sensor location. Repeat previous Steps to install the next sensor as you go across the Bumper.
 - f. Reinstall the factory wiring harness. **NOTE:** It may be necessary to remove some of the outer wiring cover to extend the reach of the harness to the sensors.
 - g. Secure harness to the Bumper as required.
11. With assistance, position the Elevation Bumper assembly up to the outside of the (2) Frame Brackets. **WARNING:** To avoid possible injury or damage to the vehicle, do not proceed until the Bumper is fully and safely supported. Attach the Bumper to the Frame Brackets with (6) 12mm x 50mm Hex Bolts, (12) 12mm Flat Washers, (6) 12mm Lock Washers and (6) 12mm Hex Nuts, **(Figures 15 & 16)**. Snug but do not fully tighten hardware.
12. Level and adjust the Bumper to the vehicle and tighten all hardware.
13. Models equipped with fog lights:
- a. Select the driver/left fog light assembly. Attach the assembly to the (3) mounting tabs on the back of the Bumper with the included (3) 6mm Bolts, (6) 6mm Flat Washers and (3) 6mm Nylon Lock Nuts, **(Figure 17)**. Repeat this Step to attach the passenger/right fog light assembly.
 - b. Plug in the fog light harness to the light and secure it to the Bumper, **(Figure 18)**.

**ELEVATION BULL NOSE FRONT BUMPER
2019 DODGE RAM 2500-3500**

14. Install (2) Plastic License Plate Plugs into the holes in the Bumper, **(Figure 19)**. Reuse factory screws to attach license plate to Plugs.
15. Do periodic inspections to the installation to make sure that all hardware is secure and tight.

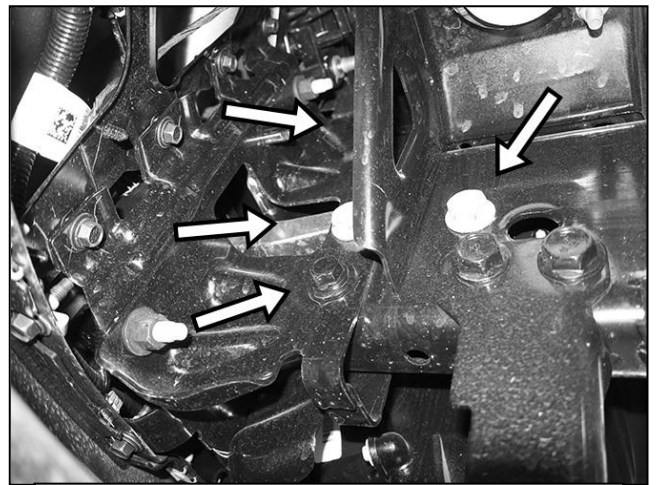
To protect your investment, Do not use any type of polish or wax that may contain abrasives that could damage the finish. Mild soap may be used to clean the Bumper Assembly.

Driver Side Installation Pictured

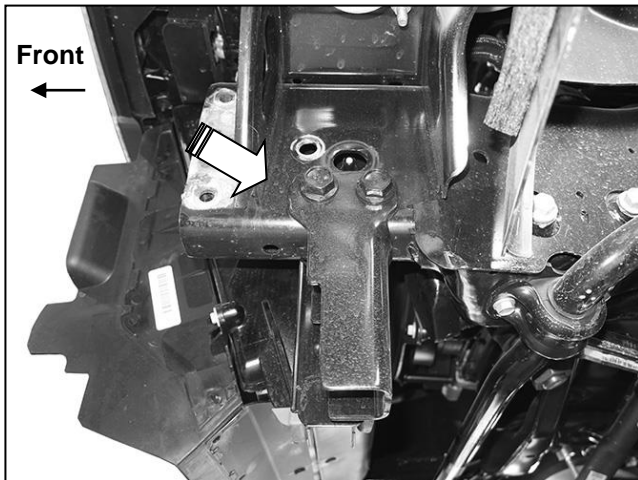


(Fig 1) Remove screws attaching ends of bumper to fender liners

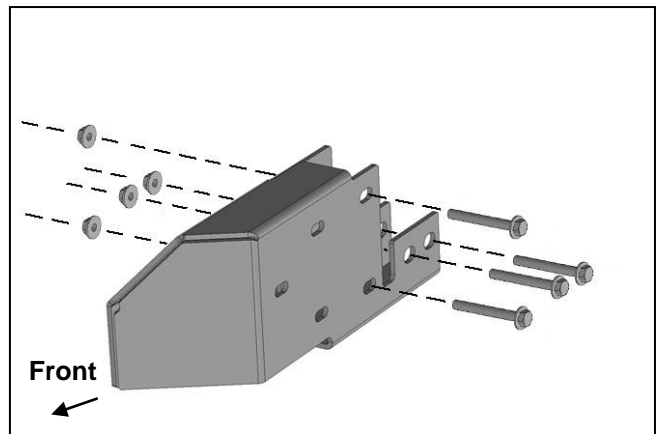
WARNING! To avoid possible injury or damage to vehicle, do not remove bumper bolts unless the bumper is properly supported on blocks or stands or the bumper may fall.



(Fig 2) Remove driver/left side tow hook and bumper bracket to frame hardware (arrows)



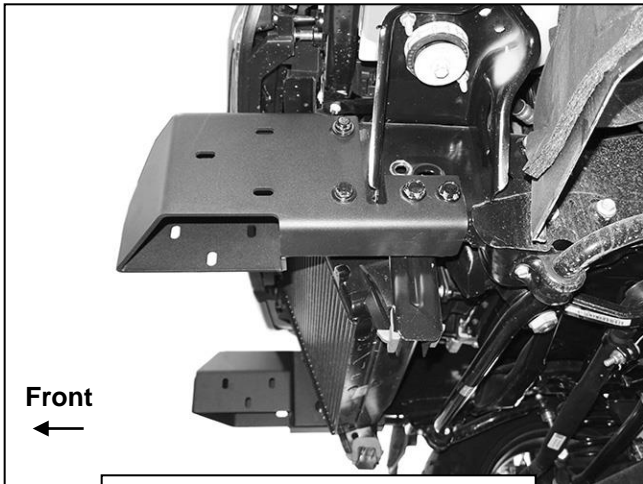
(Fig 3) Remove lower frame extensions (arrow) from bottom of the frame



(Fig 4) Reuse the factory hardware to attach the driver/left Frame Bracket to the outside of the frame

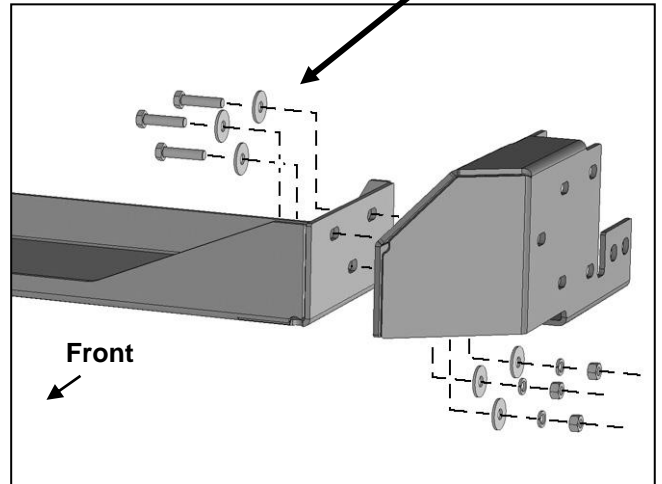
ELEVATION BULL NOSE FRONT BUMPER
2019 DODGE RAM 2500-3500

Driver Side Installation Pictured

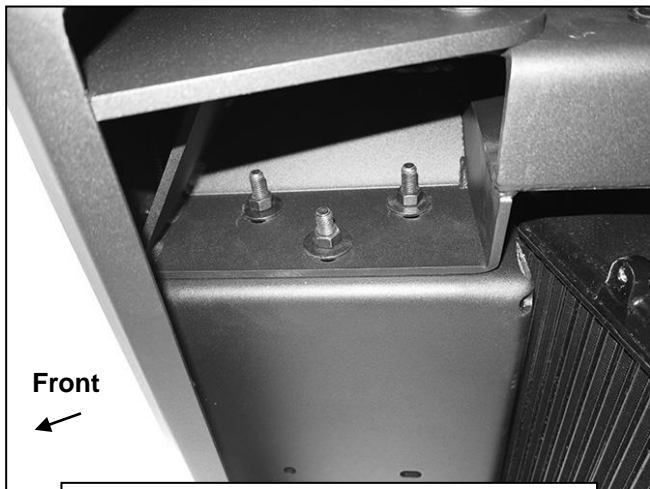


(Fig 5) Frame Brackets installed

- (3) 12mm x 50mm Hex Bolts
- (6) 12mm Flat Washers
- (3) 12mm Lock Washers
- (3) 12mm Hex Nuts

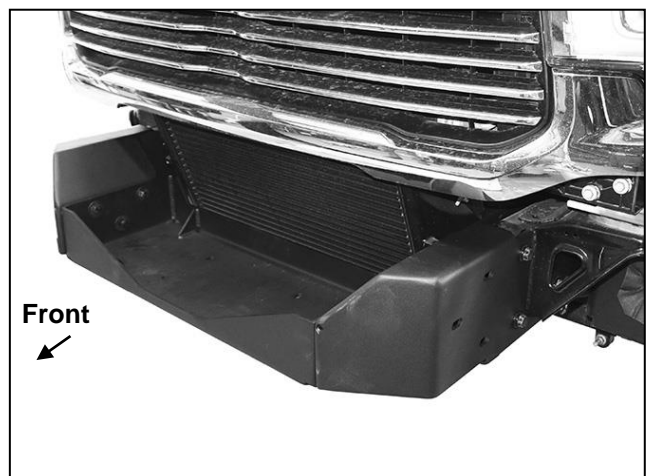


(Fig 6) Attach Winch Tray to Frame Brackets



(Fig 7) Driver/left side of Winch Tray and Frame Bracket pictured from below

WARNING! Do not crawl under bumper unless the bumper is properly supported on blocks or stands or the bumper may fall.



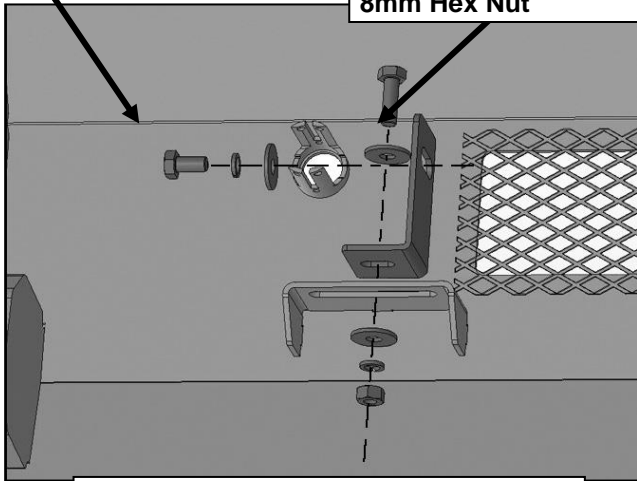
(Fig 8) Winch Tray and Frame Brackets installed

ELEVATION BULL NOSE FRONT BUMPER
2019 DODGE RAM 2500-3500

Driver Side Installation Pictured

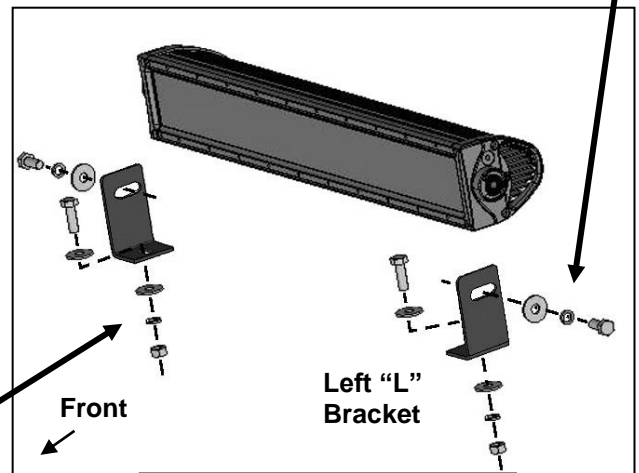
8mm x 16mm Hex Bolt
8mm Lock Washer
8mm Flat Washer

8mm x 25mm Hex Bolt
(2) 8mm Flat Washers
8mm Lock Washer
8mm Hex Nut



(Fig 9) Attach LED Brackets and light
(light not included)

(2) 8mm x 16mm Hex Bolts
(2) 8mm Lock Washers
(2) 8mm Flat Washers



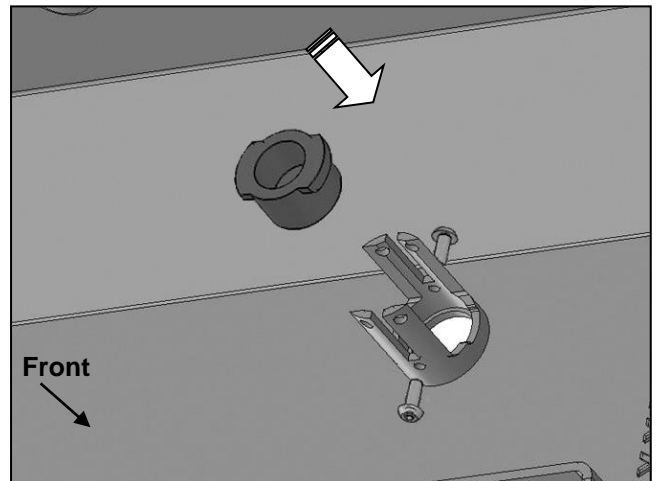
(Fig 10) Example of typical
center light installation

(2) 8mm x 25mm Hex Bolts
(4) 8mm Flat Washers
(2) 8mm Lock Washers
(2) 8mm Hex Nuts



(Fig 11) Remove the wiring harness, sensors and
fog light assemblies from bumper (if equipped)

WARNING! Do not crawl under bumper
unless the bumper is properly supported on
blocks or stands or the bumper may fall.



(Fig 12) Push Sensor Hole Plug into mounting
sleeve. Use 4mm Screws to lock plug in place.

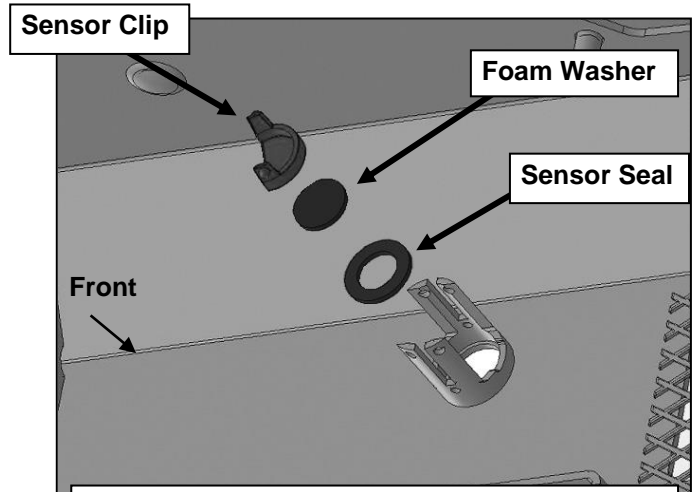
**ELEVATION BULL NOSE FRONT BUMPER
2019 DODGE RAM 2500-3500**

Driver Side Installation Pictured

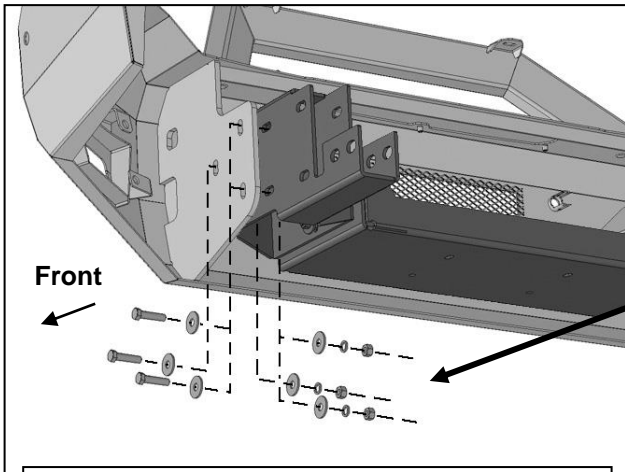


(Fig 13) Remove silicone seal from sensor. Slide large Seal over end of sensor (arrow)

WARNING! Do not crawl under bumper unless the bumper is properly supported on blocks or stands or the bumper may fall.

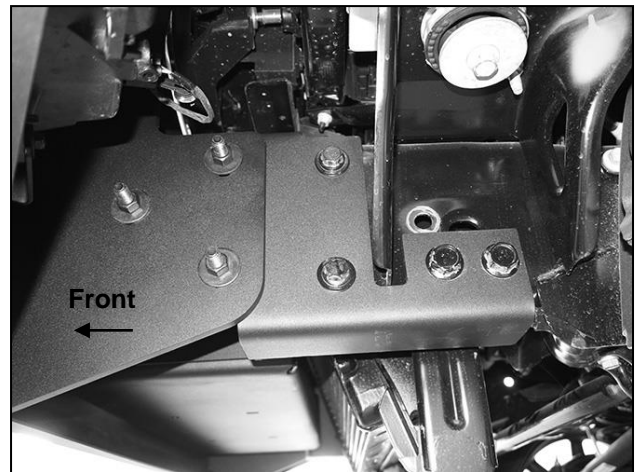


(Fig 14) Slide sensor into sleeve, insert Foam Washer and Clip to lock sensor in sleeve



(Fig 15) Attach Bumper to driver/left Bracket

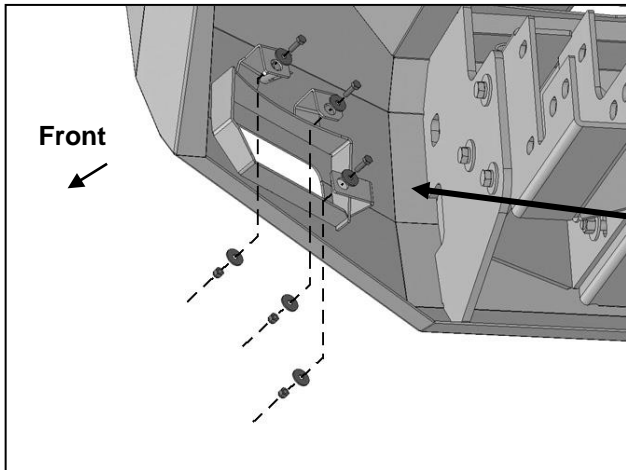
- (3) 12mm x 50mm Hex Bolts
- (6) 12mm Flat Washers
- (3) 12mm Lock Washers
- (3) 12mm Hex Nuts



(Fig 16) Driver/left side of Bumper installed

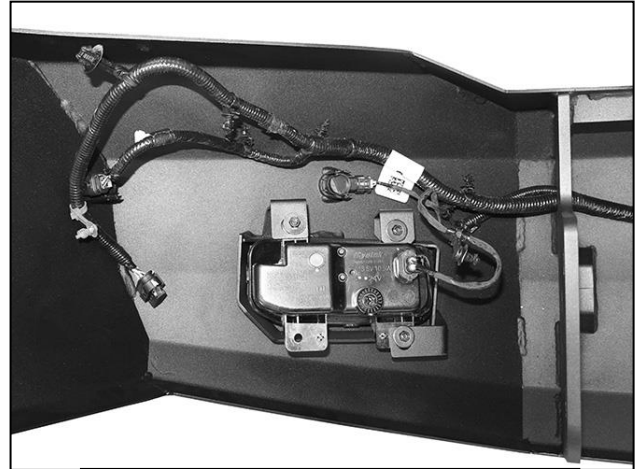
**ELEVATION BULL NOSE FRONT BUMPER
2019 DODGE RAM 2500-3500**

Driver Side Installation Pictured

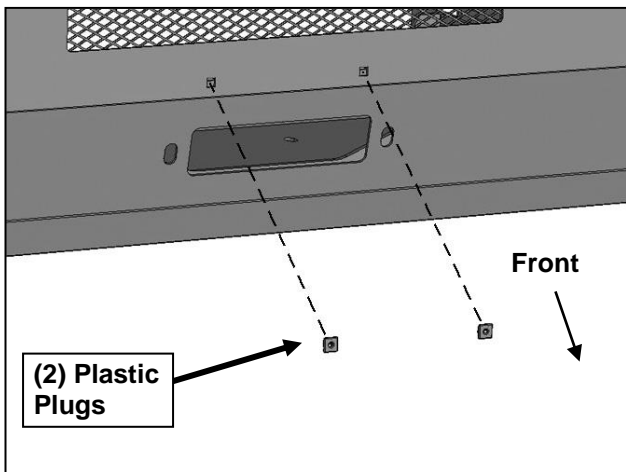


- (3) 6mm x 25mm Hex Bolts
- (6) 6mm Flat Washers
- (3) 6mm Nylon Lock Nuts

(Fig 17) Attach fog light assembly to mounts on back of Bumper



(Fig 18) Driver/left fog light assembly, wiring harness and sensors installed



- (2) Plastic Plugs

(Fig 19) Attach License Plate to Plastic Plugs in Bumper



Complete Installation