

INSTALL INSTRUCTIONS

Identity Rear Bumper

Product : 6172DR

Application : 2017+ Ford Super Duty

(THIS APPLIES TO ALL IDENTITY SERIES REAR BUMPERS)

I WARNING

Read the instructions completely before beginning installation. Before tightening bolts, drilling or cutting where required, check to make sure there are no obstructions such as brake, fuel or electrical lines which may be damaged. Also keep in mind this is an after-market product and MAY require minor shimming and/or trimming, reaming, etc. for proper fit. Road Armor is not responsible for any damages to vehicle.

ⓘ IMPORTANT NOTICE

- Be sure to inspect and test fit your product to ensure proper fitment before having it coated, painted, bed lined, etc.
- Road Armor will not be responsible for the cost of coating your unit if any problems with fit or finish are not noted and addressed beforehand.

SAFETY FIRST!

- FOLLOW ALL INSTRUCTIONS, YOUR SAFETY AND THE SAFETY OF OTHERS IS MOST IMPORTANT.
- WEAR APPROPRIATE EYE PROTECTION AND EXERCISE CAUTION WHEN DRILLING / CUTTING

REQUIRED TOOLS

SAE & METRIC Socket set and wrenches

Screw drivers, pry tool, pick tool, pliers

RECOMMENDED TOOLS

Adjustable Table Cart / Table/Pallet Lift or Hoist

Impact driver

INCLUDED HARDWARE

- 18 #10-24 x 1/2" Button Socket Cap Screw
- 22 1.5" Single Bolt Tab
- 6 1/2" x 1.375" Flat Washer
- 6 1/2" Split Lock Washer
- 14 1/2" - 13 Hex Nut
- 8 #10-24 External Tooth Lock washer K—Lock Nut
- 6 1/2" Bolt 15/16" O.D. Zinc Push nut Bolt Retainer
- 8 1/2" - 13 x 1-1/2" Hex Cap Screw
- 8 1/2" Medium Split Lock Washer
- 8 1/4" x 0.734" Flat Washer
- 4 1/4" - 20 x 3/4" Button Socket Cap Screw
- 4 1/4" - 20 Nylon Insert Lock Nut
- 4 1/4" License Plate Nut White Nylon
- 4 M6 x 16mm Phillips Hex Washer Head Tap Screw
- 2 Rear 8" Accent Lights
- 1 Accent Light Module
- 1 Rear RA Logo Shield

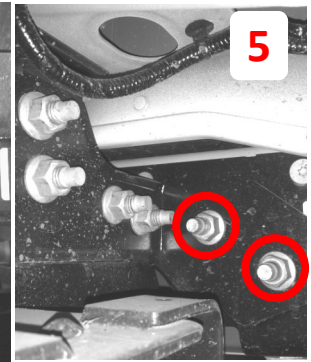
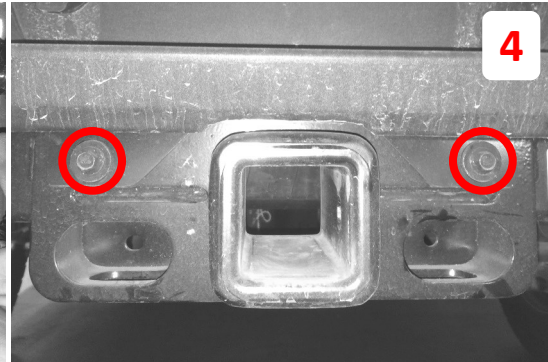
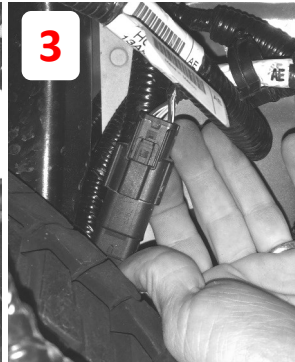
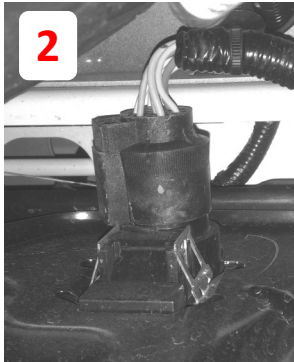
KIT COMPONENT LIST

- 1 Main Center Section
- 1 Driver Side End Pod
- 1 Passenger Side End Pod
- 1 Driver Side Frame Bracket
- 1 Passenger Side Frame Bracket
- 1 Hitch Plug Plate
- 1 Step Plate
- 1 Driver Side Mesh
- 1 Passenger Side Mesh
- 1 Driver Side 6" SR Light Bracket
- 1 Passenger Side 6" SR Light Bracket
- 1 Driver Side Beauty Ring Mesh Kit
- 1 Passenger Side Beauty Ring Mesh Kit
- 1 Driver Side Hyve Mesh Kit
- 1 Passenger Side Hyve Mesh Kit
- 1 Driver Side iD Mesh Kit
- 1 Passenger Side iD Mesh Kit
- 1 Driver Side Block-Off Plate Kit
- 1 Passenger Side Block-Off Plate Kit

1 Park the vehicle on a flat, level surface if possible.

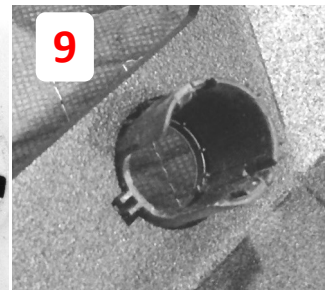
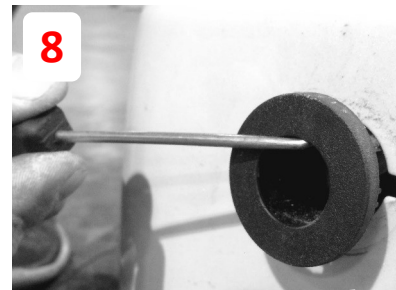
2 Disconnect the trailer plug from the inside of the bumper.

3 Disconnect the bumper harness plug, located above the spare tire. (This one is a little hard to find)



4 Remove the two bolts on either side of the receiver hitch.

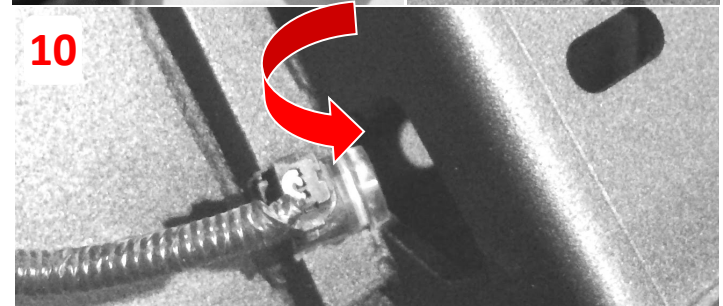
5 Remove the two nuts as indicated on both the driver and passenger sides from the inside of the bumper brackets.



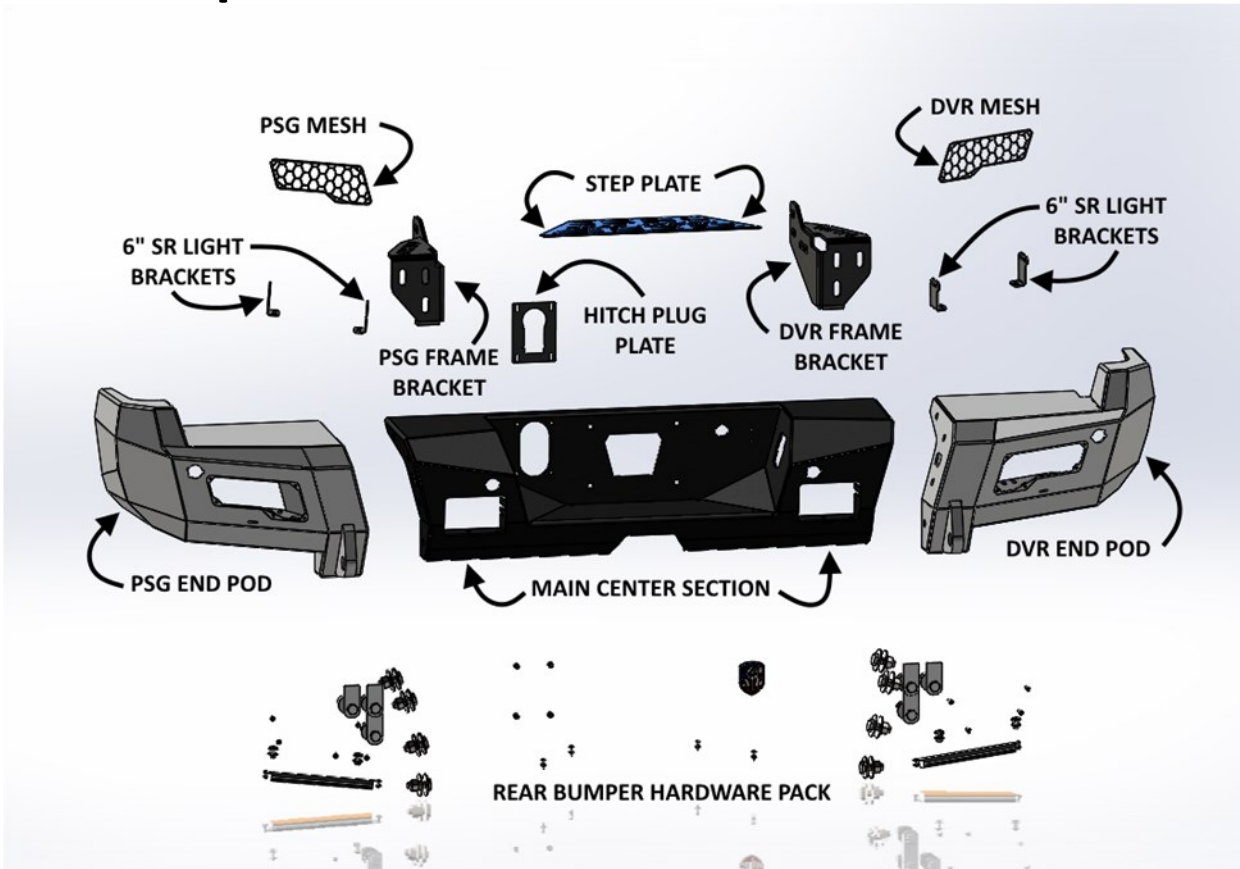
6 Free up the wiring harness by removing all of

7 Disconnect the wiring harness from the

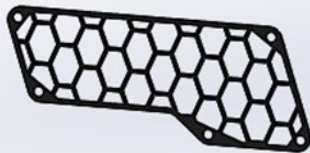
8 Use a right angled pick tool to carefully pry the sensor grommet from the stock bumper.



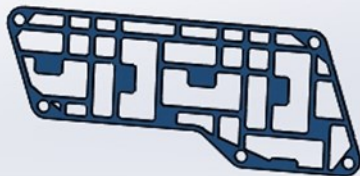
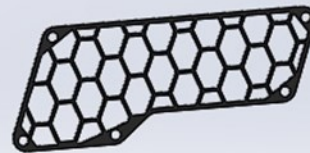
Kit Components Included:



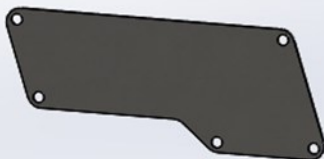
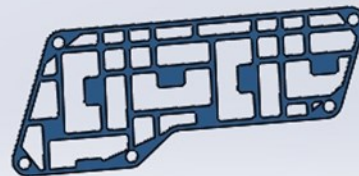
BEAUTY RING MESH KIT



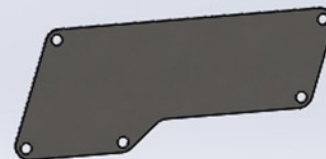
HYVE MESH KIT



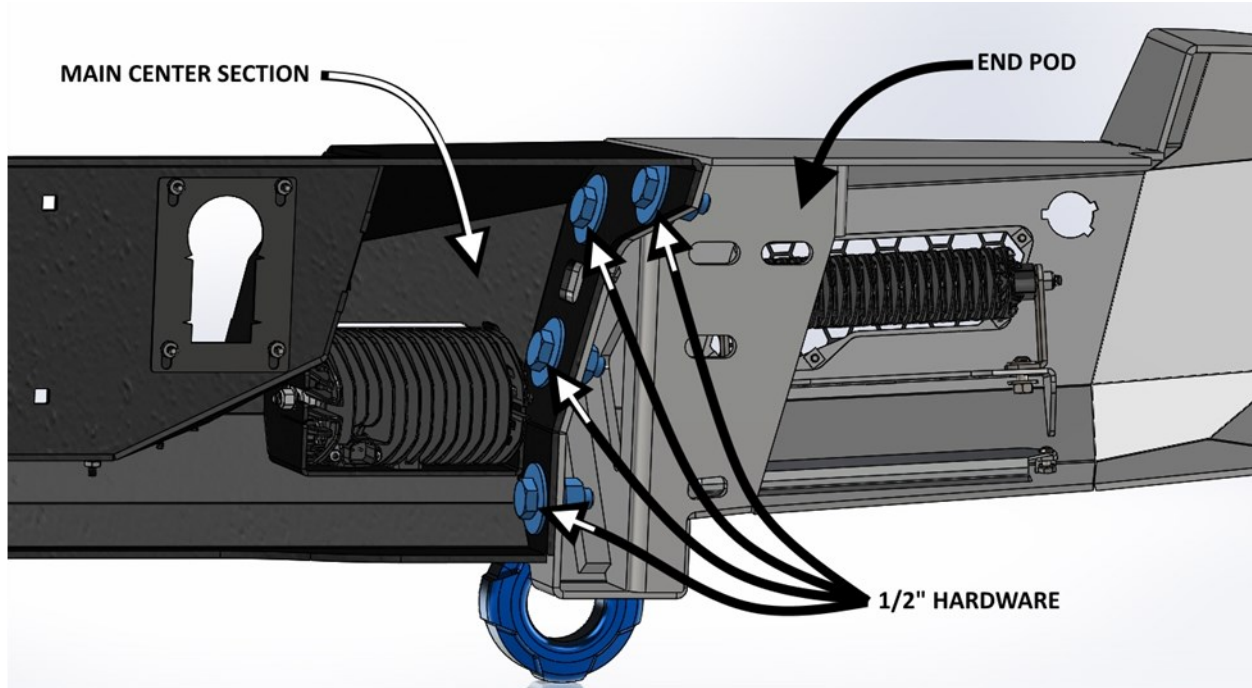
iD MESH KIT



BLOCK-OFF PLATE KIT

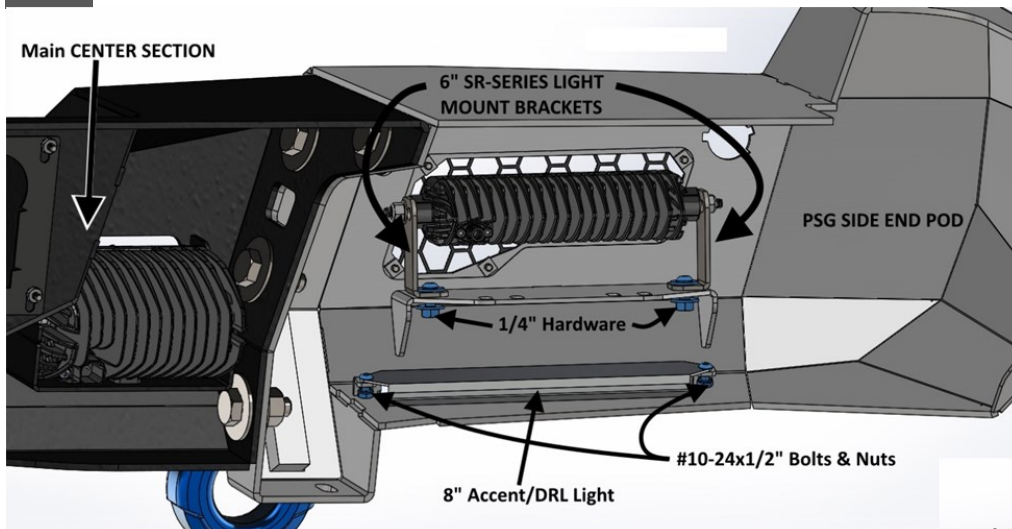


- 1 Assembly each Rear End Pods to Main Center Section using 4 – ½" x 1 ½" Bolts, Nuts, Lock Washers & Washers.

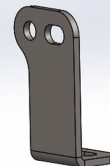


- 2 Install Kit 8" Accent Light into each Kit End Pod using 2 - #10-24x ½" Bolts & Lock Nuts.

- 3 Install Kit 6" Light Bar Brackets onto Kit End Pod Bracket using 2 – ¼" x ¾" Hardware supplied.

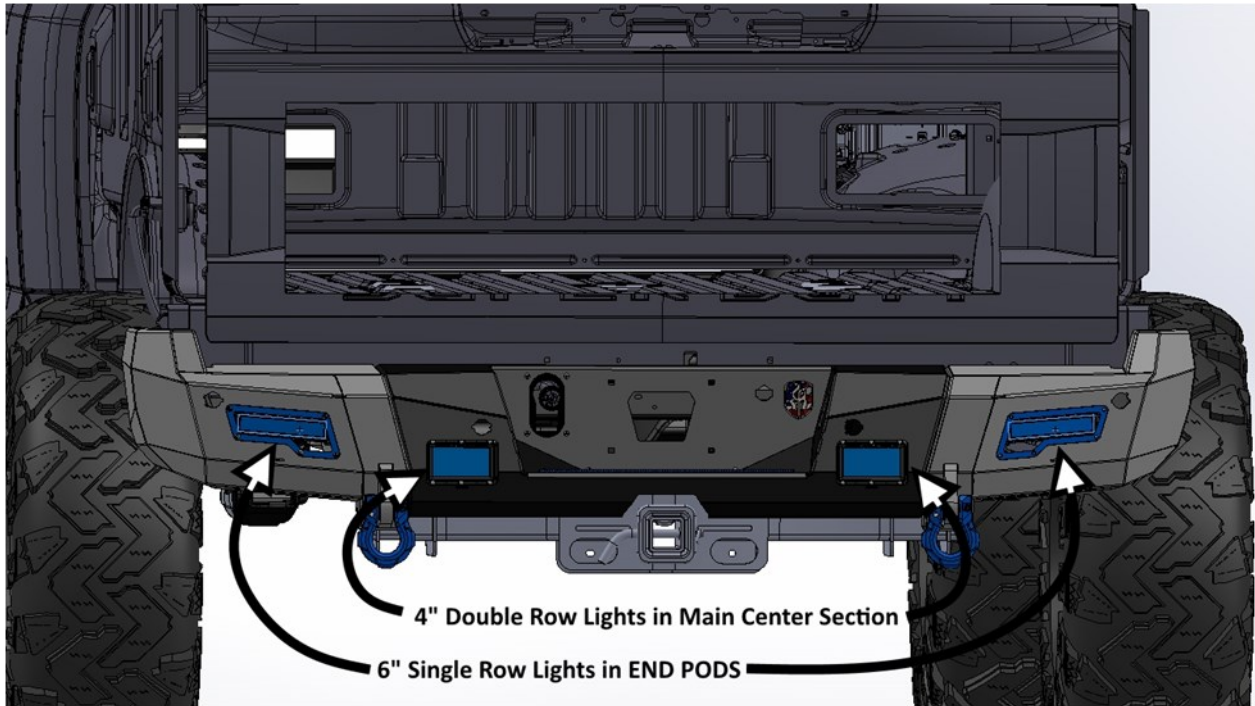


Left Side Light Bracket

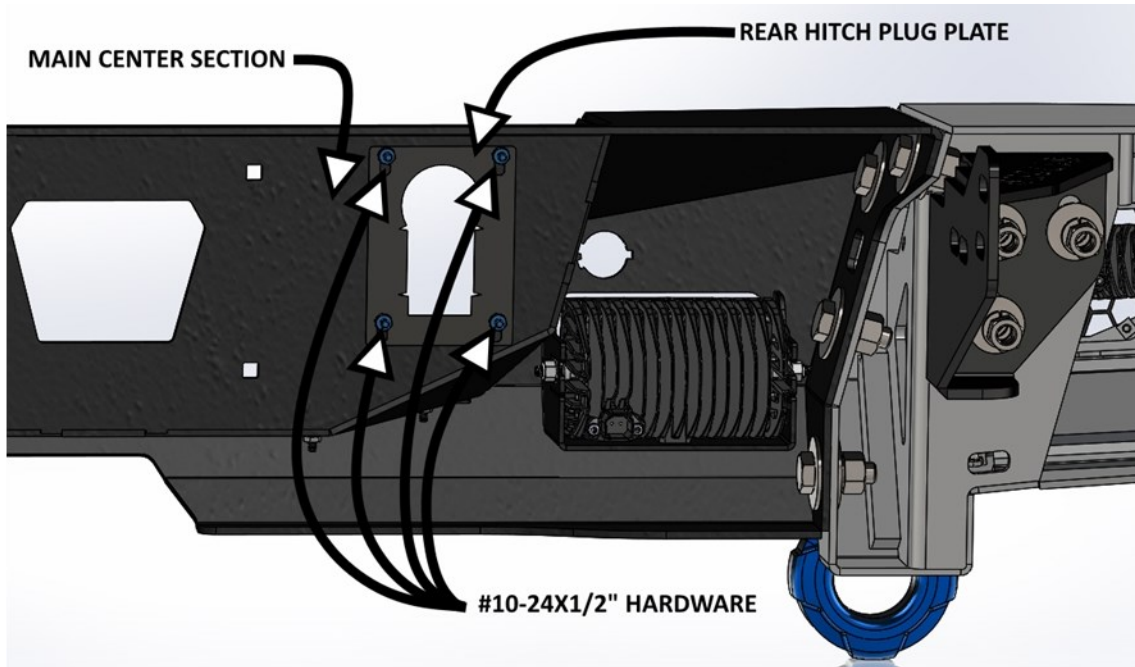


Right Side Light Bracket

4 Install lights into Main Center Section and End Pods as Shown Below:

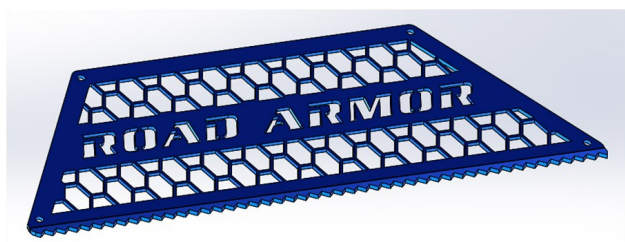
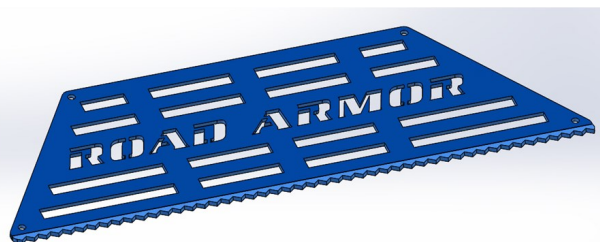
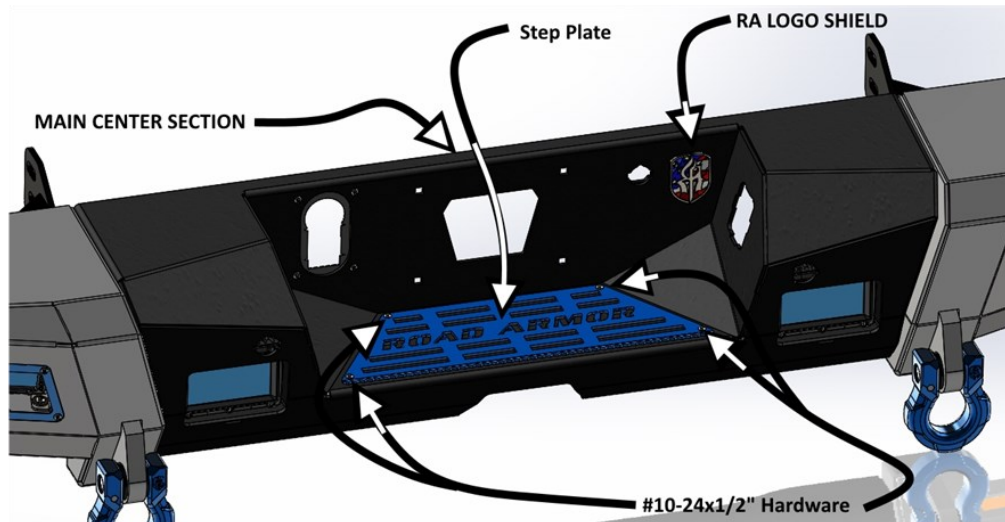


5 Install Hitch Plug Plate onto back of Main Center Section using 4 - #10-

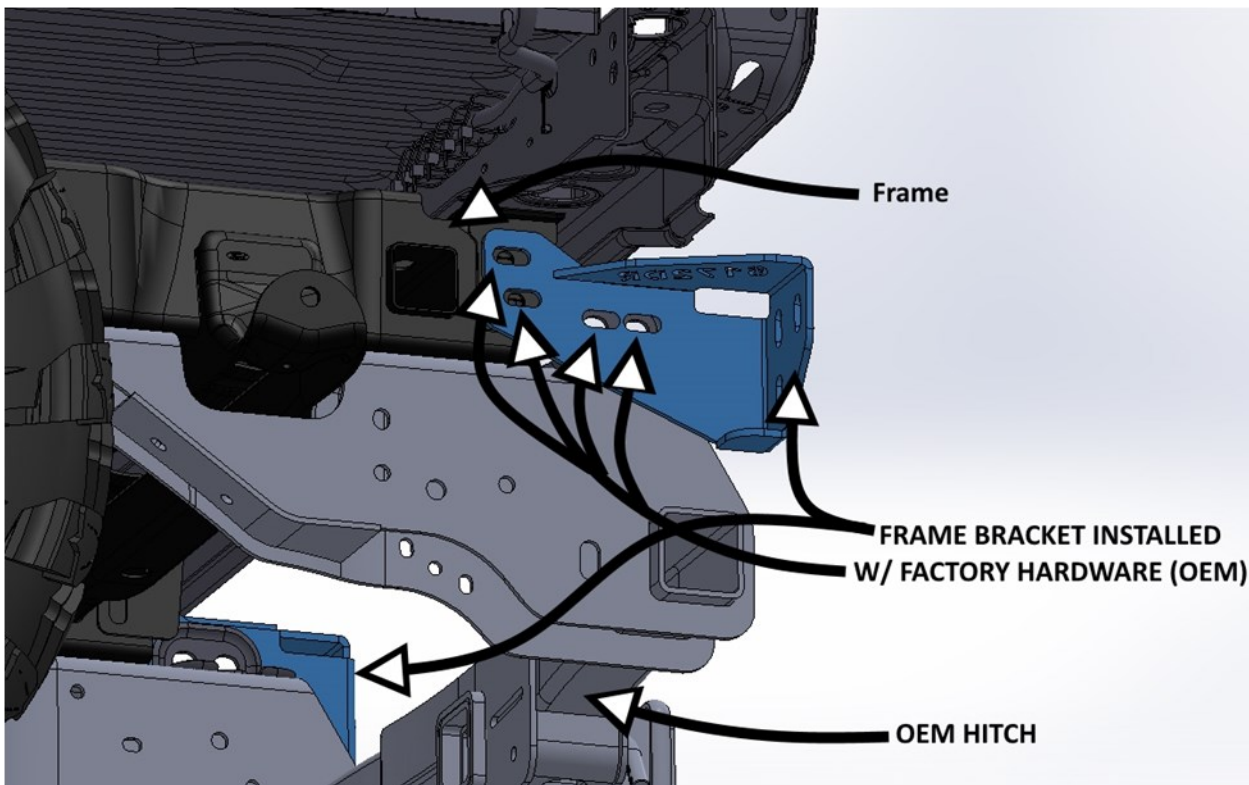
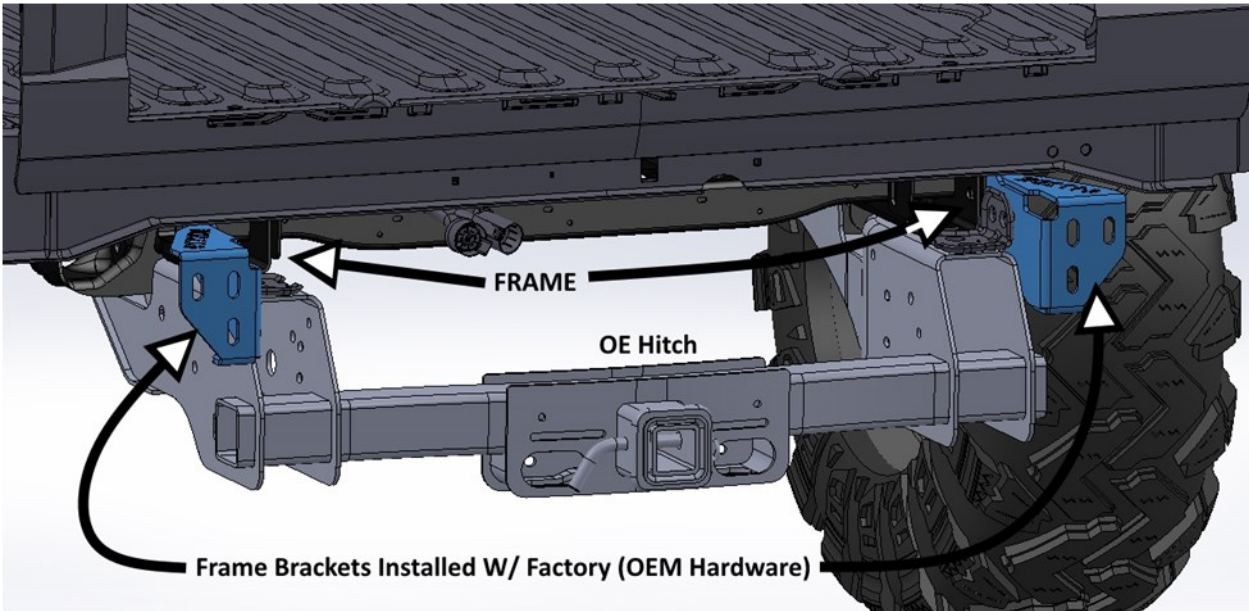


6 Install RA LOGO SHIELD onto Main Center Section.

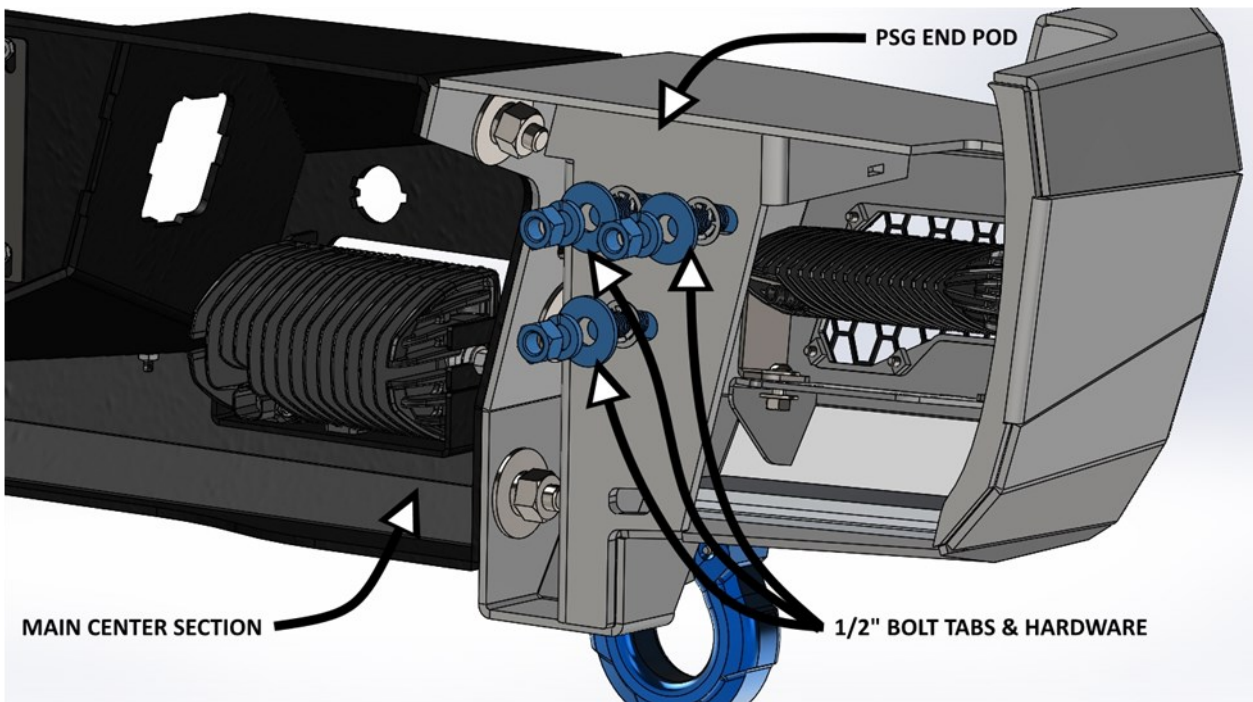
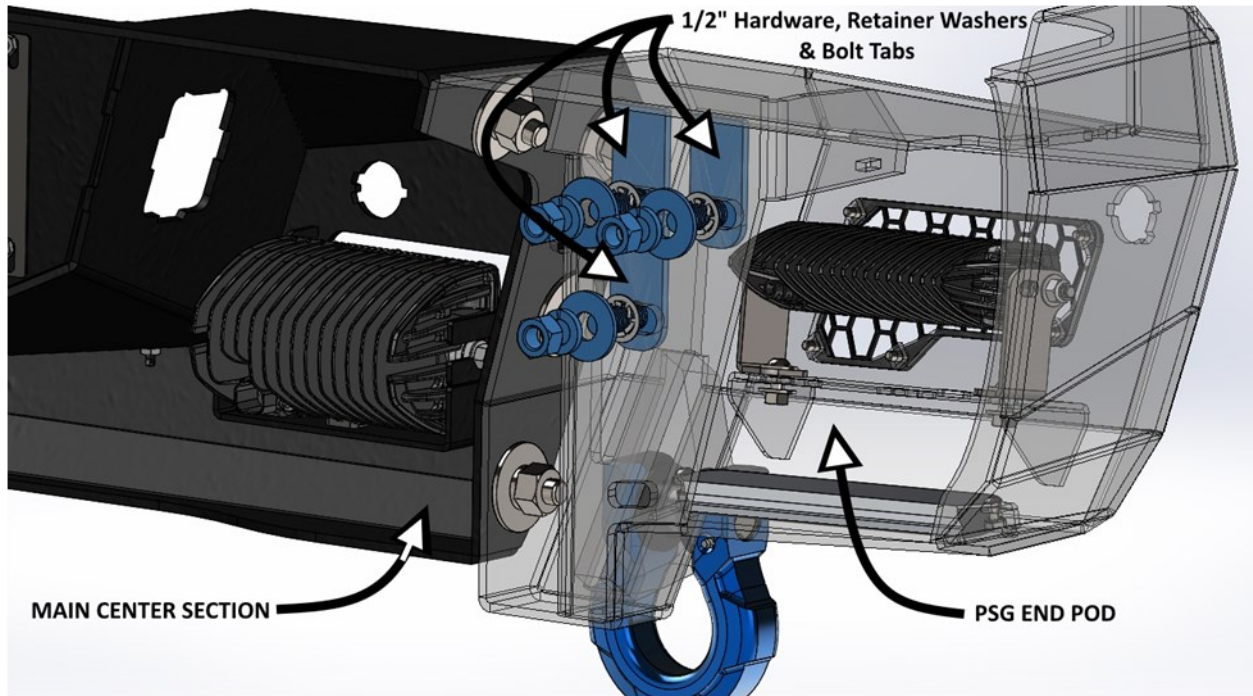
7 Install Kit Step Plate onto Main Center Section using 4 - #10-24x1/2"



8 Install Kit Frame Brackets using Factory (OEM) Hardware



9 Install 3 - 1/2" Bolt Tabs into each End Pod Bumper Bracket with 1/2" Retainer Washers.



10 Install Bumper assembly onto Kit Frame Brackets using 1/2" Nuts, Lock Washers and Washers.

