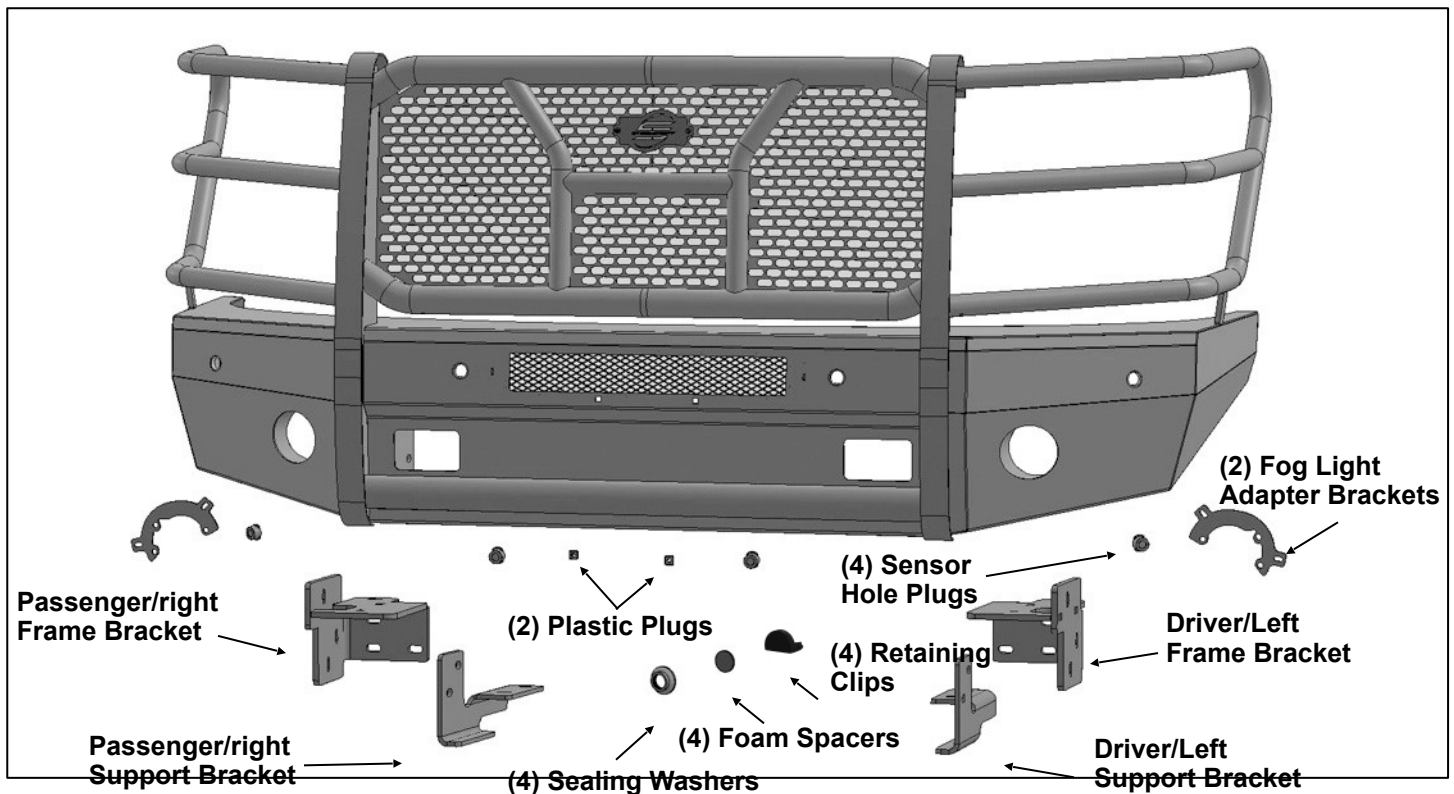


**ELEVATION FRONT BUMPER
2016-19 NISSAN TITAN XD ONLY**

PARTS LIST:

1	Elevation Front Bumper Assembly	4	12mm Lock Washers
1	Driver/left Frame Mounting Bracket	10	12mm Nylon Lock Nuts
1	Passenger/right Frame Mounting Bracket	10	6mm x 25mm Hex Bolts
1	Driver/left Support Bracket	20	6mm x 18mm x 1.6mm Flat Washers
1	Passenger/right Support Bracket	10	6mm Nylon Lock Nuts
2	Fog Light Adapter Brackets (L or R)	8	4mm x 10mm Button Head Bolts
2	Plastic Plugs for license plate mount	1	2.5mm Wrench
4	Sensor Hole Plugs	1	Sensor Cover Kit
4	12-1.25mm x 55mm Special Fine Thread Hex Bolts	4	Sealing Washers
10	12-1.75mm x 60mm Hex Bolts	4	20mm x 2mm Foam Spacers
24	12mm x 32mm x 3mm Flat Washers	4	Retaining Clips



PROCEDURE:

REMOVE CONTENTS FROM BOX. VERIFY ALL PARTS ARE PRESENT. READ INSTRUCTIONS CAREFULLY BEFORE STARTING INSTALLATION. BUMPER IS HEAVY, ASSISTANCE IS HIGHLY RECOMMENDED TO AVOID POSSIBLE INJURY OR DAMAGE TO THE VEHICLE.

1. Remove license plate. On models with factory fog lights and/or sensors, unplug wiring harness leading to bumper. Release harness from clips attached to back of bumper and move harness out of the way.
2. Starting on the driver/left side, remove the plastic panel next to the opening in the bumper, **(Figure 1)**. On models with sensors, remove the panel and unplug the sensor, **(Figure 2)**. On models with tow hooks, remove the tow hooks and the plastic fill panel directly above the tow hook, **(Figure 3)**. On models with skid plate, remove the skid plate. **IMPORTANT:** On models with factory skid plate, skid plate cannot be reinstalled, **(Figure 4)**. Repeat this Step on passenger/right side of vehicle.

**ELEVATION FRONT BUMPER
2016-19 NISSAN TITAN XD ONLY**

3. Next, move to the driver/left inner wheel opening. Remove the hardware attaching the inner bumper reinforcement to the outside of the frame, **(Figure 5)**. Repeat on the passenger/right side of the vehicle.
4. Place blocks or jack stands under the front bumper to support it during mounting bolt removal. Once the bumper has been safely supported, remove the (3) hex bolts attaching each side of the bumper to the bracket on the end of the frame, **(Figure 6)**. **WARNING!** Assistance is required to hold the bumper in place during hardware removal to prevent the bumper from falling. Slide bumper off.
5. Once bumper has been removed, remove both bumper brackets from end of frame, **(Figures 6 & 7)**.
6. Select the driver/left Support Bracket. Reuse the (2) factory tow hook hex bolts or the included (2) 12-1.25mm x 55mm **Special Fine Thread** Hex Bolts, (2) 12mm Lock Washers and (2) 12mm Flat Washers to attach the Support Bracket to the bottom of the frame, **(Figures 8 & 13)**. Do not tighten.
7. Next, select the driver/left Frame Mounting Bracket. Reuse the (4) factory hex bolts from the bumper bracket to attach the Frame Bracket to the end of the frame, **(Figures 9 & 13)**. Snug but do not fully tighten all Bracket hardware at this time
8. On models equipped with tow hooks, attach the driver/left tow hook to the inside of the bumper bracket assembly with the included (2) 12-1.75mm x 60mm Coarse Thread STD Hex Bolts, (4) 12mm Flat Washers and (2) 12mm Nylon Lock Nuts, **(Figure 10)**. Fully tighten tow hook hardware at this time.
9. Repeat **Steps 6—8** to install the passenger/right side Brackets and tow hook.
10. **Determine if the vehicle is equipped with parking sensors. NOTE:** Depending on tow package, it may be necessary or easier to install sensors, (if equipped), before attaching the Bumper.

Models without parking sensors:

- a. Select (1) Rubber Plug.
- b. Insert the Plug into sensor mounting sleeve on the back of the bumper, **(Figure 12)**. Screws have been provided to lock the Plugs into the sleeves. Use is optional.
- c. Repeat previous **Steps** to insert the remaining (3) Rubber Plugs.

Models with bumper mounted sensors:

- a. Disassemble the factory bumper to remove the wiring harness and sensors.
 - b. Select (1) parking sensor. Remove the seal from the end of the sensor. Slide (1) Sensor Seal over the front of the sensor, **(Figure 13)**.
 - c. Insert the sensor with Seal into sensor sleeve on the back of the Bumper, **(Figure 14)**.
 - d. Place (1) Foam Spacer over end of the sensor. Push Sensor Retaining Clip into sensor mount and lock into mounting holes, **(Figure 14)**.
 - e. Repeat previous **Steps** to attach the (3) remaining sensors. **NOTE:** The L-shaped sensors will insert into the inner (2) sensor mounting sleeves and the Z-shaped sensors will insert into the outer (2) sensor mounting sleeves.
 - f. Attach the wiring harness to sensors.
 - g. **Optional:** Secure each sensor to the sensor sleeve with (2) 4mm x 10mm Button Head Screws. **IMPORTANT:** Sensors fit snug in sockets. The 4mm Screws are used to apply slight pressure to lock the sensors in place. Tighten both screws evenly until they touch the sensor body only. Do not overtighten screws or damage to sensors will result.
11. With assistance, position the Bumper Assembly up to the Mounting Brackets. Temporarily support the weight of the Bumper. **WARNING:** To avoid possible injury or damage to the vehicle, do not proceed until the Bumper is fully and safely supported.
 12. Attach the driver/left side of the Bumper to the Mounting Bracket and Support Bracket with the included (3) 12-1.75mm x 60mm Coarse Thread STD Hex Bolts, (6) 12mm Flat Washers and (3) 12mm Nylon Lock Nuts, **(Figures 15—17)**. Snug but do not fully tighten hardware at this time. Repeat this Step to attach the passenger/right side of the Bumper to the Brackets.
 13. Level and adjust the bumper and fully tighten all hardware.
 14. On models equipped with factory fog lights, select (1) Fog Light Adapter Bracket. Attach Bracket to the driver/left fog light with (3) 6mm x 25mm Hex Bolts, (6) 6mm Flat Washers and (3) 6mm Nylon Lock Nuts, **(Figure 18)**. Do not overtighten hardware. Next, attach the light with Bracket to the mounting tabs on the back of the bumper with the included (2) 6mm x 25mm Hex Bolts, (4) 6mm Flat Washers and (2) 6mm Nylon Lock Nuts, **(Figures 18 & 19)**. Repeat this Step to attach the passenger/right fog light.
 15. Reinstall the wiring harness to the sensors and/or fog lights.
 16. If front license plate is required, insert (2) Plastic Plugs into the square holes in the Bumper. Reuse the factory screws to attach the license plate to the plastic plugs, **(Figure 20)**.
 17. Remove screen from grille for models with grille mounted camera, **(Figure 21)**.
 18. Do periodic inspections to the installation to make sure that all hardware is secure and tight.

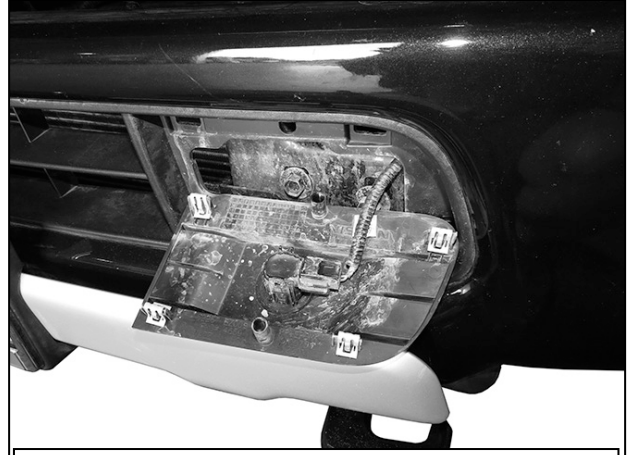
**ELEVATION FRONT BUMPER
2016-19 NISSAN TITAN XD ONLY**

To protect your investment, Do not use any type of polish or wax that may contain abrasives that could damage the finish. Mild soap may be used to clean the Bumper assembly.

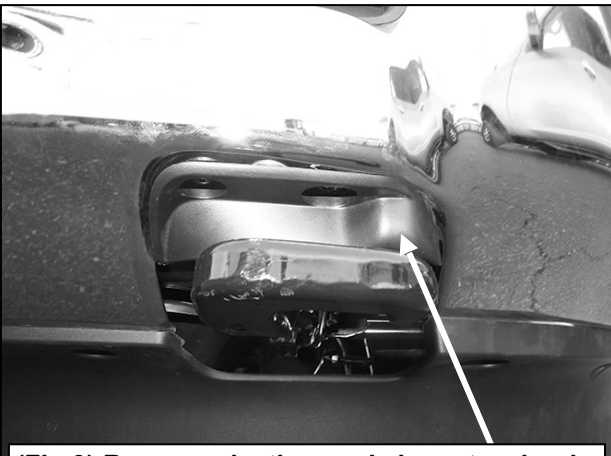
Driver Side Installation Pictured



(Fig 1) Remove fill panel to access bumper bolts



(Fig 2) Models with sensors, unplug sensors

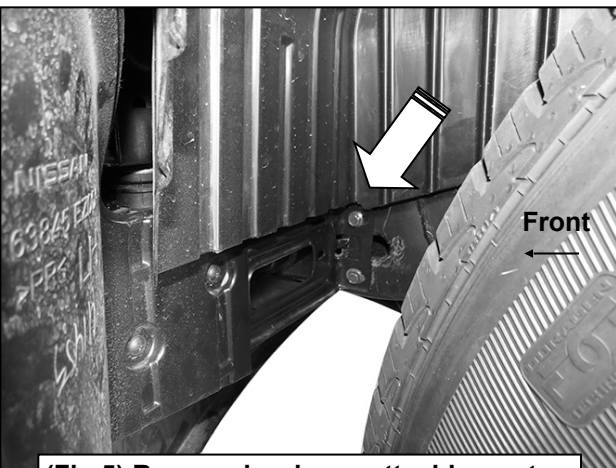


(Fig 3) Remove plastic panel above tow hook

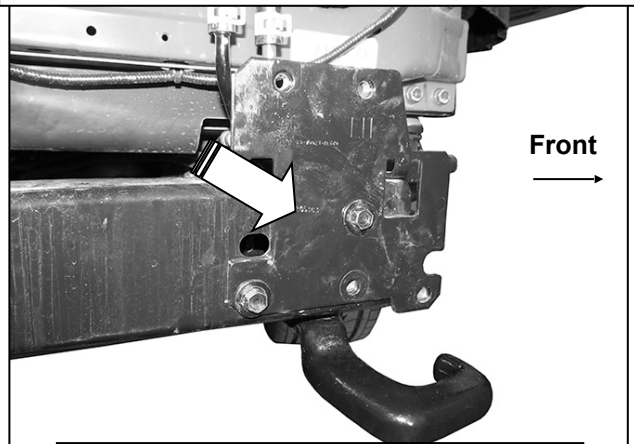


(Fig 4) Remove skid plate if equipped

WARNING! Do not remove bumper bolts unless the bumper is properly supported on blocks or stands or the bumper may fall.

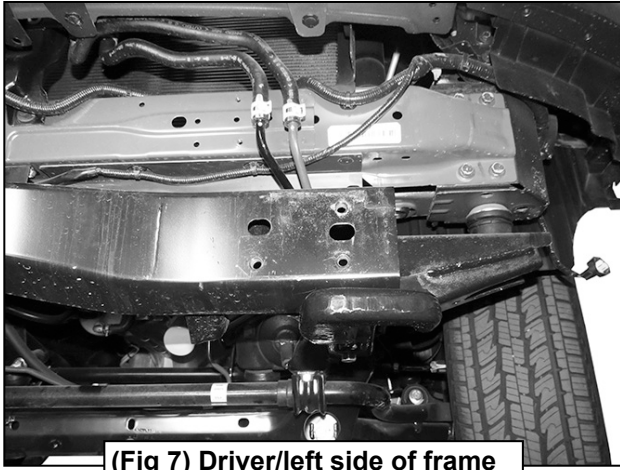


(Fig 5) Remove hardware attaching outer bumper support to side of frame (arrow)



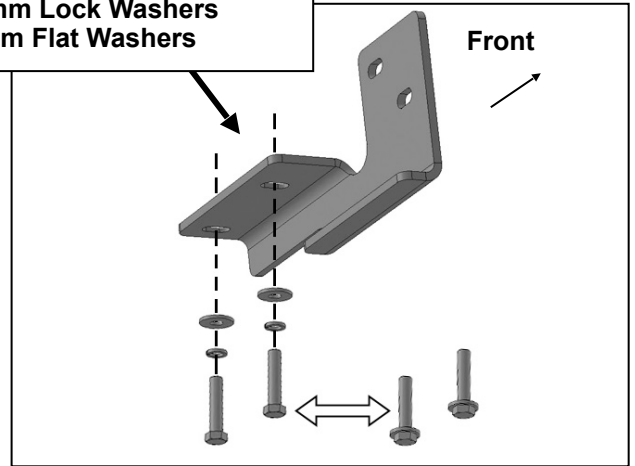
(Fig 6) Remove bumper bracket (arrow) and tow hook if equipped

Driver Side Installation Pictured



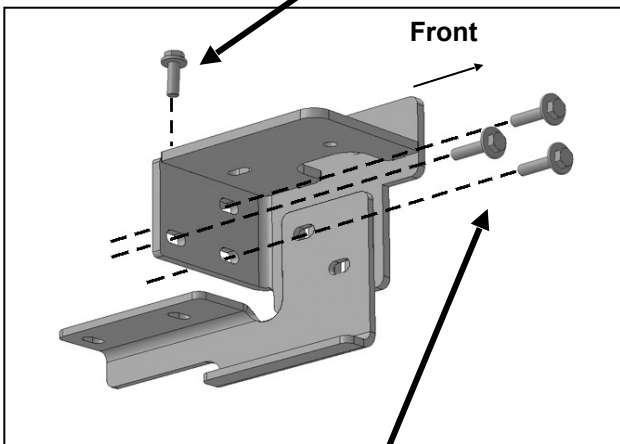
(Fig 7) Driver/left side of frame

Reuse tow hook bolts or...
Models without tow hooks use
the included:
(2) 12-1.25mm x 55mm Special
Fine Thread Hex Bolts
(2) 12mm Lock Washers
(2) 12mm Flat Washers



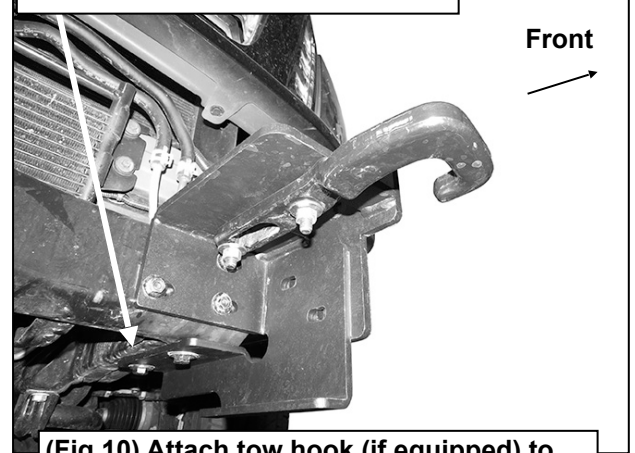
(Fig 8) Attach driver/left Support Bracket to threaded holes (tow hook) in bottom of frame

Reuse factory bumper bracket hardware to
attach driver/left Frame Bracket to threaded
holes in end of frame for bumper bracket

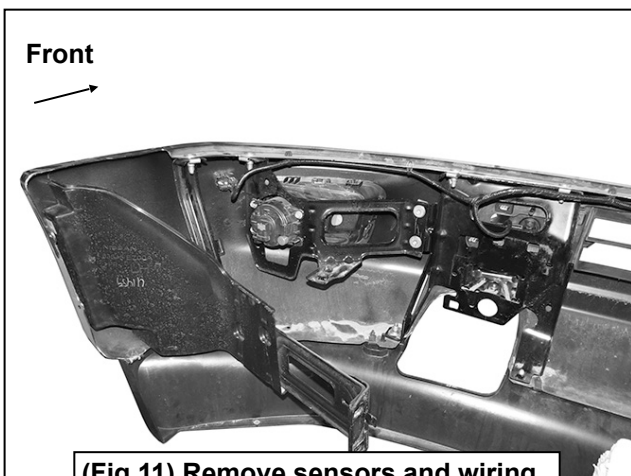


(Fig 9) Reuse factory bumper bracket hardware to attach driver/left Frame Bracket to threaded holes in end of frame for bumper bracket

(2) 12-1.75mm x 60mm Hex Bolts
(4) 12mm Flat Washers
(2) 12mm Nylon Lock Nuts



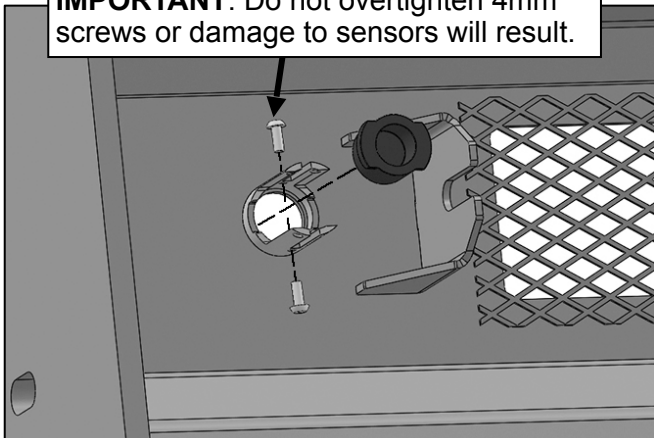
(Fig 10) Attach tow hook (if equipped) to inside of Frame Bracket, (driver/left side pictured from below)



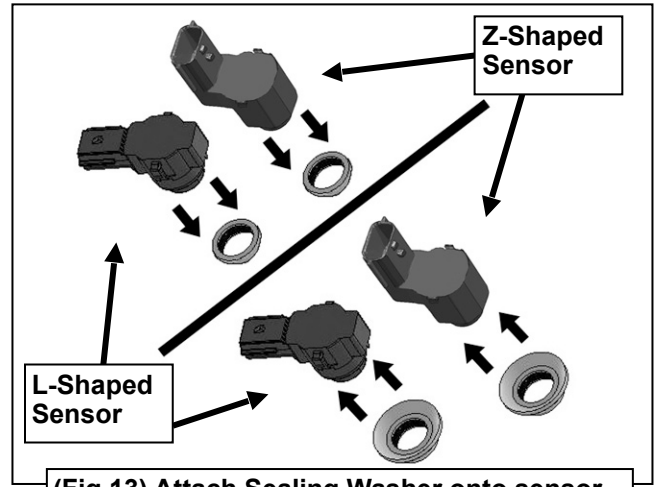
(Fig 11) Remove sensors and wiring harness (if equipped) from bumper

Driver Side Installation Pictured

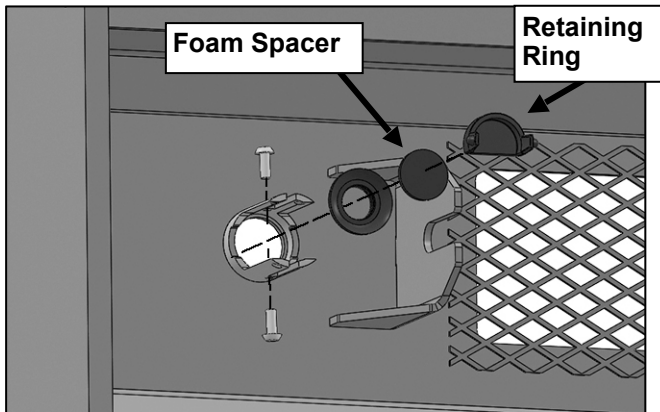
IMPORTANT: Do not overtighten 4mm screws or damage to sensors will result.



(Fig 12) Insert Sensor Plug into the mounting sleeves (Optional, use 4mm screws to hold the Plug in place)

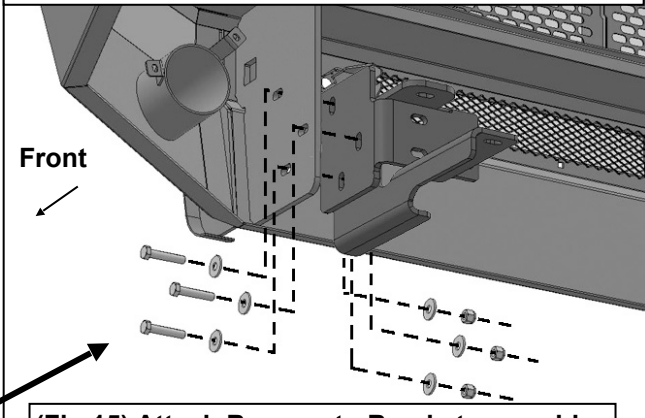


(Fig 13) Attach Sealing Washer onto sensor



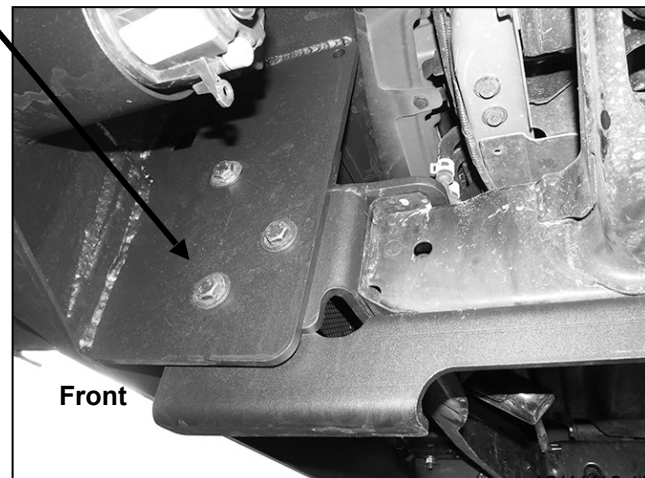
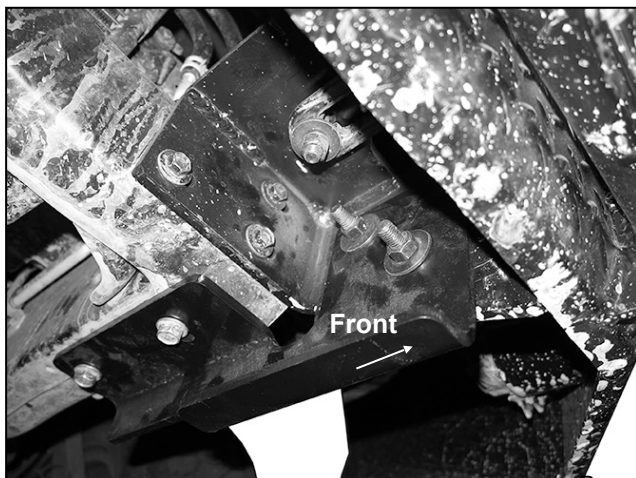
(Fig 14) Push sensor into the mounting sleeve. Use Retaining Ring to secure sensor in place

WARNING! Do not crawl under bumper unless the bumper is properly supported on blocks or stands or the bumper may fall.



(Fig 15) Attach Bumper to Bracket assembly

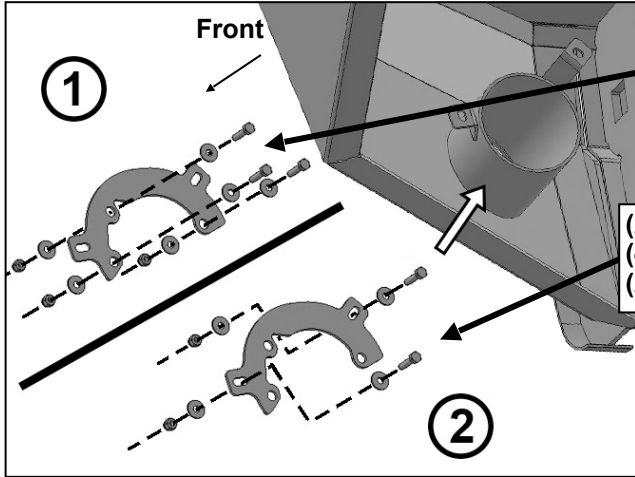
- (3) 12-1.75mm x 60mm Hex Bolts
- (6) 12mm Flat Washers
- (3) 12mm Nylon Lock Nuts



(Fig 16) Attach Bumper to Frame Bracket and Support Bracket, (driver/ left side pictured from below)

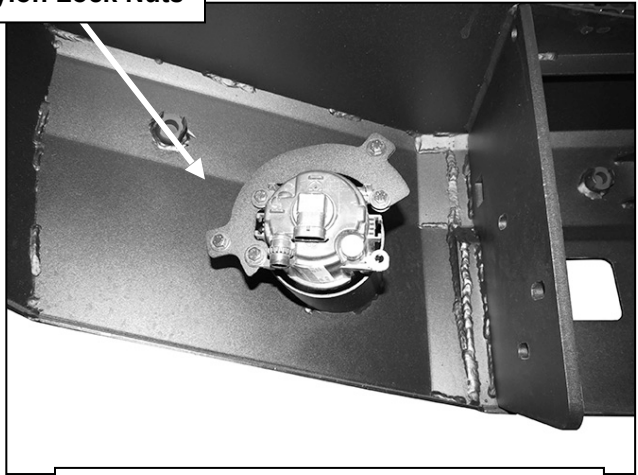
(Fig 17) Attach Bumper to Frame Bracket and Support Bracket, (driver/ left side pictured from below)

Driver Side Installation Pictured



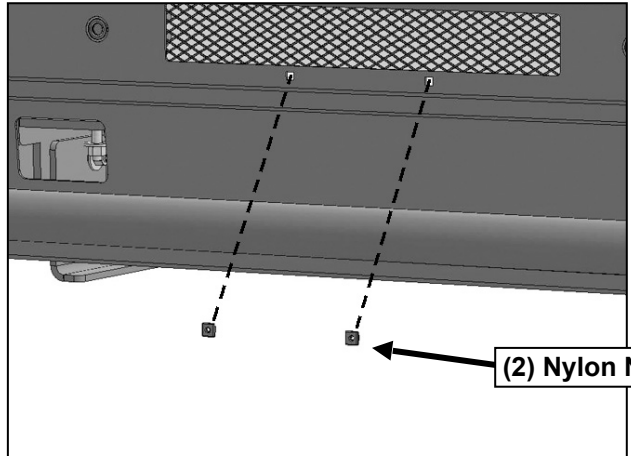
Attach the Adapter Bracket to the fog light first if equipped
(3) 6mm Hex Bolts
(6) 6mm Flat Washers
(3) 6mm Nylon Lock Nuts

(2) 6mm Hex Bolts
(4) 6mm Flat Washers
(2) 6mm Nylon Lock Nuts



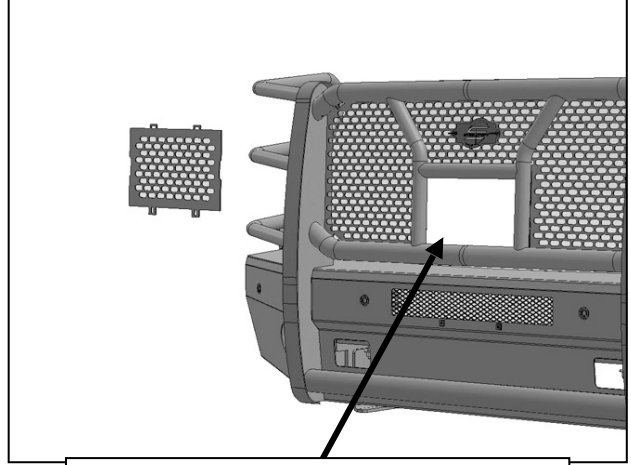
(Fig 19) Fog light with Bracket installed

(Fig 18) Attach the light with Bracket to mounting tabs on the Bumper (arrow)



(2) Nylon Nuts

(Fig 20) Attach License Plate Bracket to Bumper



(Fig 21) Remove screen from grille for models with grille mounted camera



Complete Installation

**ELEVATION FRONT BUMPER
2016-19 NISSAN TITAN XD ONLY**