



AUTOMOTIVE PRODUCTS,

INSTALLATION INSTRUCTIONS

HDX GRILLE GUARD

APPLICATION:

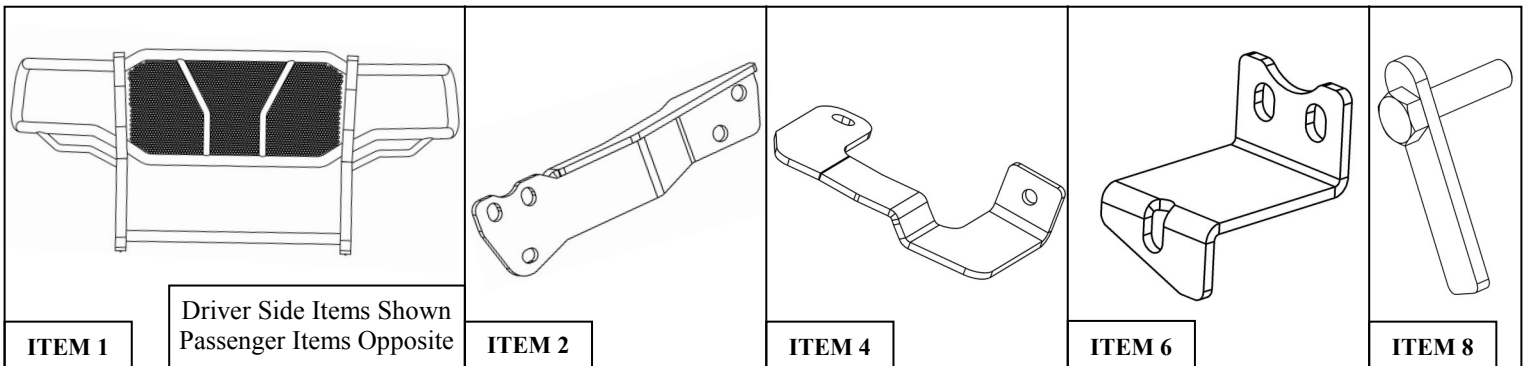
2016 GMC Sierra 1500

PART NUMBER:

57-3925

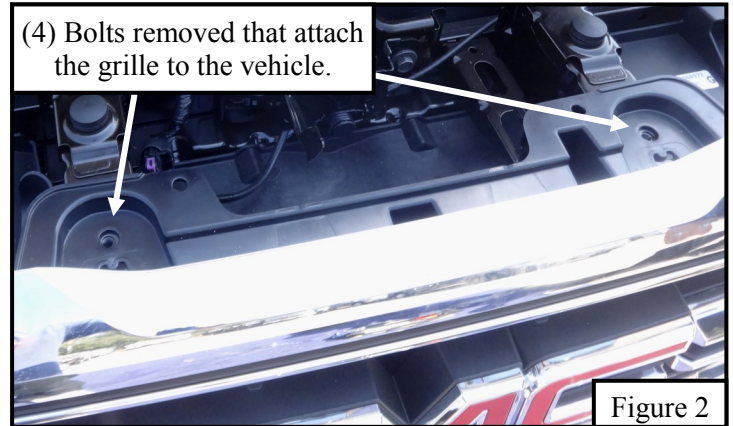
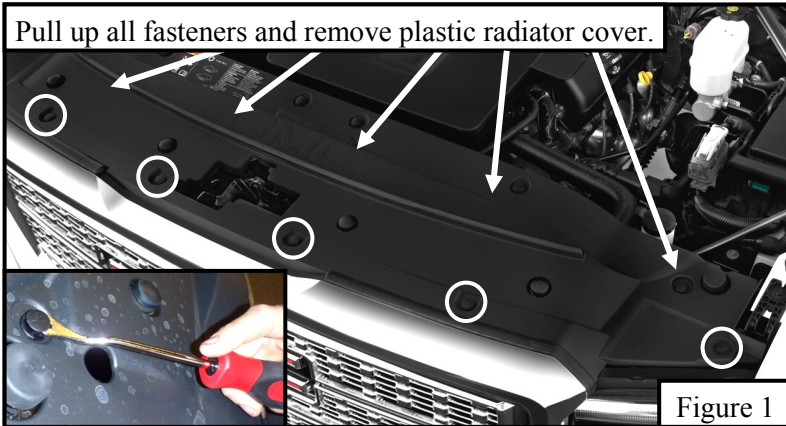
CONTENT			
ITEM	QUANTITY	DESCRIPTION	TOOLS NEEDED
1	1	HDX GRILLE GUARD	7MM SOCKET
2,3	2	LOWER MOUNT BRACKET, DRIVER(2) AND PASSENGER(3)	10MM SOCKET
4,5	2	UPPER SUPPORT STRAP, DRIVER(4) AND PASSENGER(5)	16MM SOCKET
6,7	2	LOWER SUPPORT BRACKET, DRIVER(6) AND PASSENGER(7)	18MM SOCKET
8	2	M10 BOLT PLATE	19MM SOCKET
9	2	SHORT M12 HEX HEAD CAP SCREW (YELLOW ZINC)	3/8" DRIVE
10	2	LONG M12 HEX HEAD CAP SCREW (YELLOW ZINC)	1/4" DRIVE
11	4	M12 SPLIT LOCK WASHER (YELLOW ZINC)	1/2" DRIVE
12	8	M12 FLAT WASHER (YELLOW ZINC)	RATCHET EXT.
13	4	M12 HEX NUT (YELLOW ZINC)	ALLEN WRENCH
14	2	M10 HEX NUT (YELLOW ZINC)	RATCHET
15	2	M10 FLAT WASHER (YELLOW ZINC)	TORQUE WRENCH
16	2	M10 SPLIT LOCK WASHER (YELLOW ZINC)	
17	2	M10 FISH WIRE	
18	2	M10 HEX SOCKET BUTTON HEAD BOLT (BLACK ZINC)	
19	2	M10 CUP WASHER (BLACK ZINC)	
20	2	M10 SERRATED FLANGE NUT (BLACK ZINC)	
21	4	M12 HEX SOCKET BUTTON HEAD BOLT (BLACK ZINC)	
22	4	M12 SERRATED FLANGE NUT (BLACK ZINC)	
23	4	M12 CUP WASHER (BLACK ZINC)	

ANTI-SEIZE LUBRICANT MUST BE USED ON ALL STAINLESS STEEL FASTENERS TO PREVENT THREAD DAMAGE AND GALLING

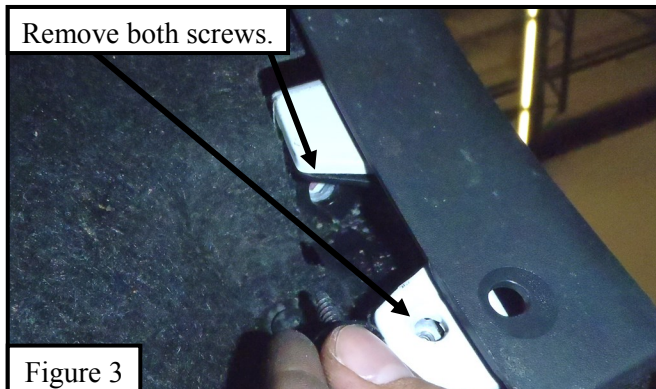


PROCEDURE

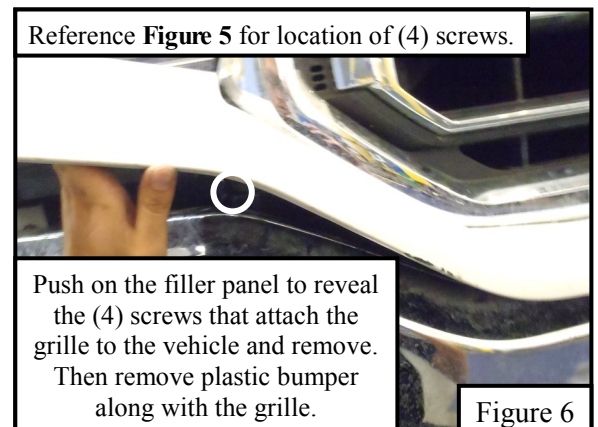
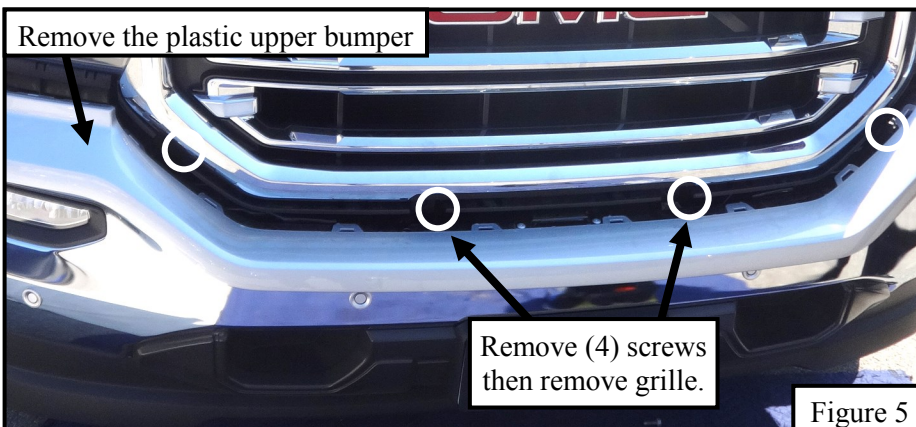
1. Remove contents from box, verify if all parts listed are present and free from damage. Carefully read and understand all instructions before attempting installation.
Failure to identify damage before installation could lead to a rejection of any claim.
2. Remove the radiator cover to reveal bolts that attach the grille to the front of vehicle. **Refer to Figure 1.**
3. Remove the bolts that attach the grille to the front of vehicle. **Refer to Figure 2.**



4. Partially detach the front fender covers by removing (2) screws and then using an appropriate pry tool to finish partially detaching them. Repeat for passenger/driver side. **Refer to Figures 3 and 4.**

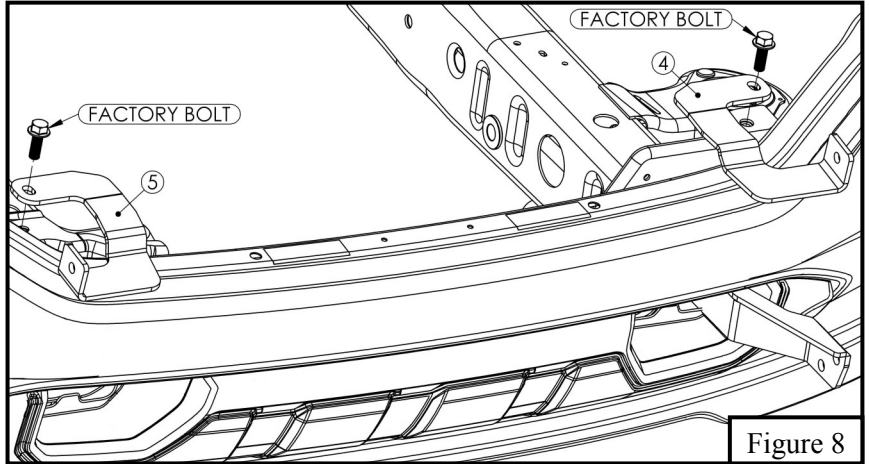
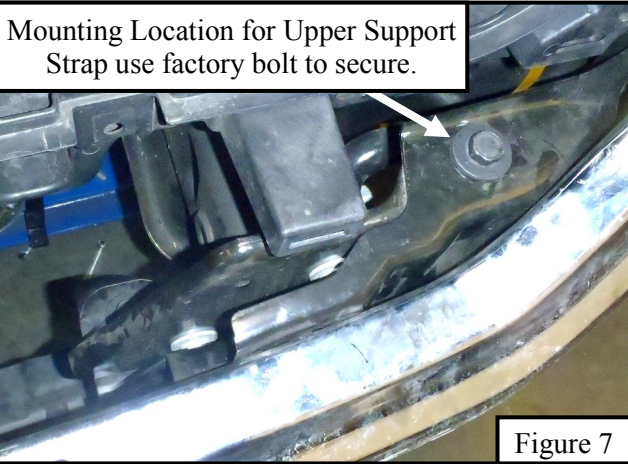


5. Carefully pull off the plastic filler panel and remove it to reveal four screws. Remove the four screws and then remove the grille. **Refer to Figure 5.** If having difficulty in removing the plastic filler panel, remove the (4) screws holding the grille by pushing/pulling upwards to reveal the screws. Remove grille with the filler panel. **See Figure 6.**



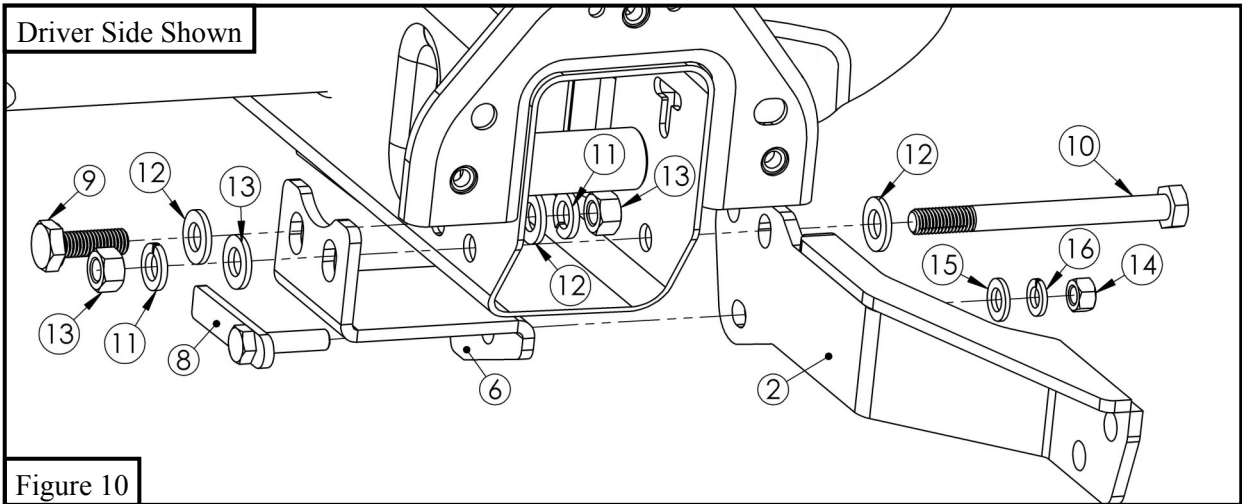
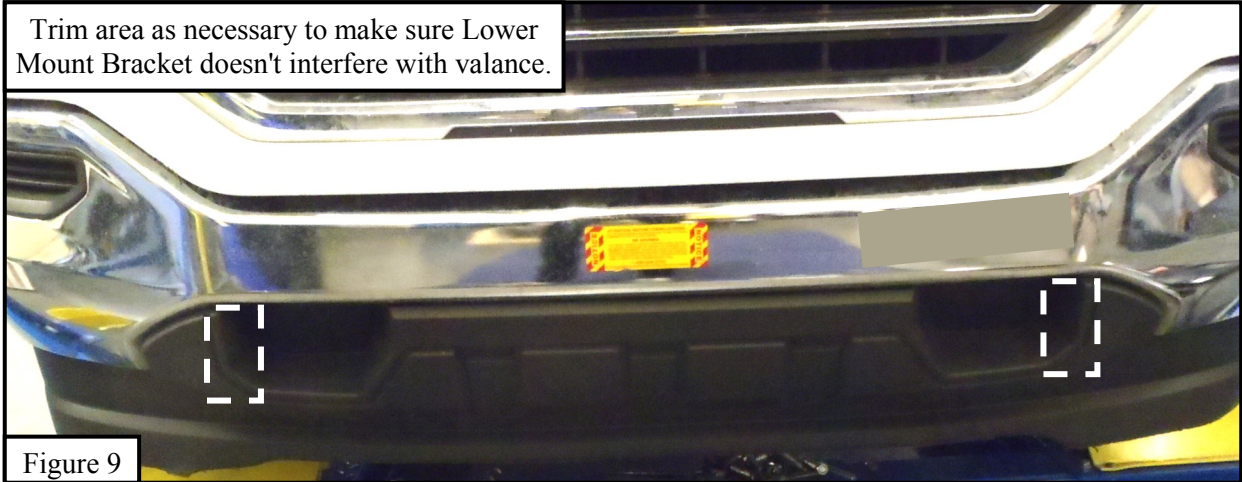
Westin Automotive Products, Inc.
320 W. Covina Blvd
San Dimas, Ca. 91773

- Starting on either side, locate (1) Upper Support Strap (Item 4/5) and loosely secure it onto the vehicle using the factory hardware located at the mounting location. **Refer to Figures 7 and 8.**



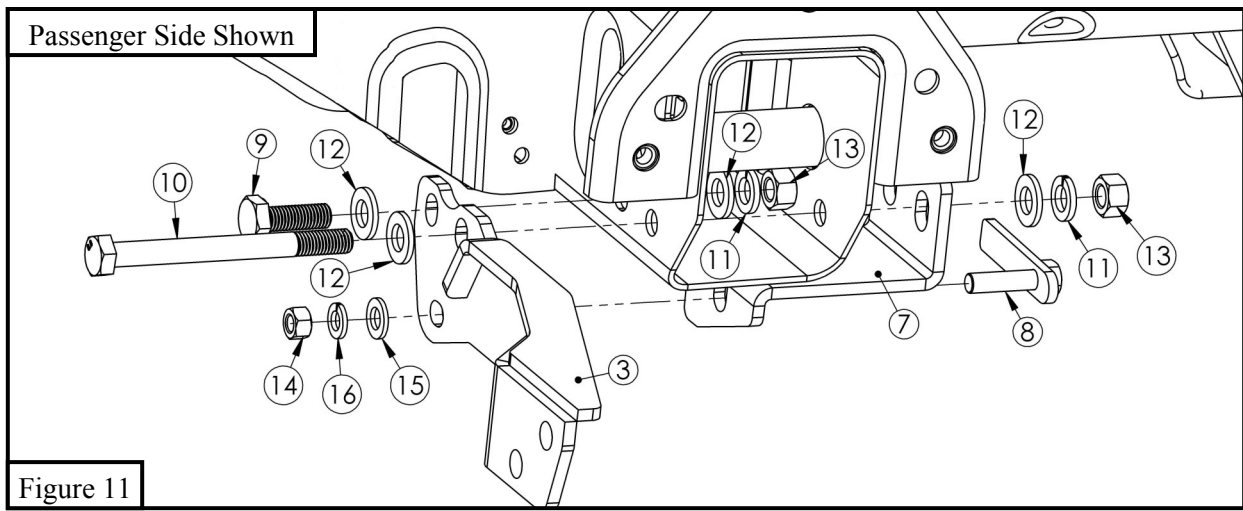
- Trim front lower valance as necessary in order to make room to for the Lower Mount Brackets. **See Figure 9.**
- Locate (1) Lower Mount Bracket (Item 2/3) and (1) Lower Support Bracket (Item 6/7) and loosely secure onto vehicle frame using the provided M10 and M12 hardware (Items 9-13). **See Figures 10 and 11.** **Note:** If vehicle is equipped with factory tow hooks the factory tow hooks cannot be reused.

Trim area as necessary to make sure Lower Mount Bracket doesn't interfere with valance.



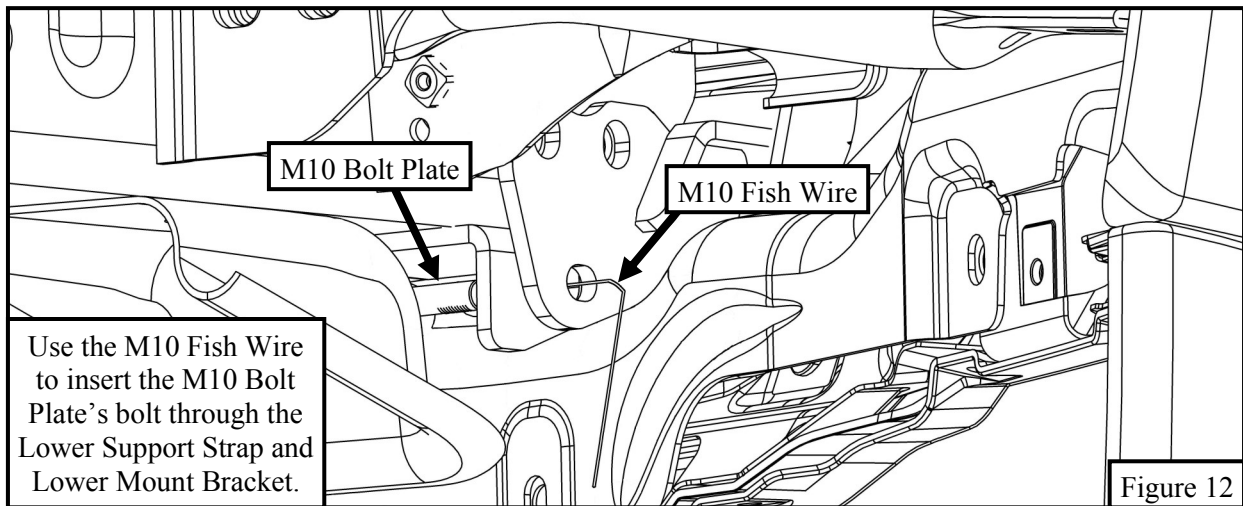
Westin Automotive Products, Inc.
320 W. Covina Blvd
San Dimas, Ca. 91773

Thank you for choosing Westin products
for additional installation assistance please call
Customer Service (800) 793-7846



9. Locate (1) M10 fish wire and (1) M10 Bolt Plate (Item 8). Use the M10 fish wire to insert the M10 bolt plate's bolt through the Lower Mount Bracket (Item 2/3) and Lower Support Bracket (Item 6,7) slots. **Refer to Figure 12.** Secure using the provided M10 hardware (Items 14-16). **Refer to Figures 10 and 11.**

10. Repeat **Steps 6-9** for opposite side.



11. With assistance align the Upper Support Straps and Lower Mount Brackets with the HDX Grille Guard and loosely secure using the provided M10 / M12 hardware (Items 18-23). Adjust and align as necessary and then tighten hardware on the vehicle: M12 hardware to 50-55 ft-lbs and M10 hardware 30-35 ft-lbs. **Refer to Figure 13.**

12. With assistance remove the HDX Grille Guard.

13. Reinstall the upper plastic bumper and the grille guard.

14. With assistance install the HDX Grille Guard onto the brackets using the provided M10 / M12 hardware (Items 18-23). **Refer to Figure 13.**

15. Adjust and align the HDX Grille Guard as necessary and then tighten hardware on the vehicle: M12 hardware to 50-55 ft-lbs and M10 hardware 30-35 ft-lbs.

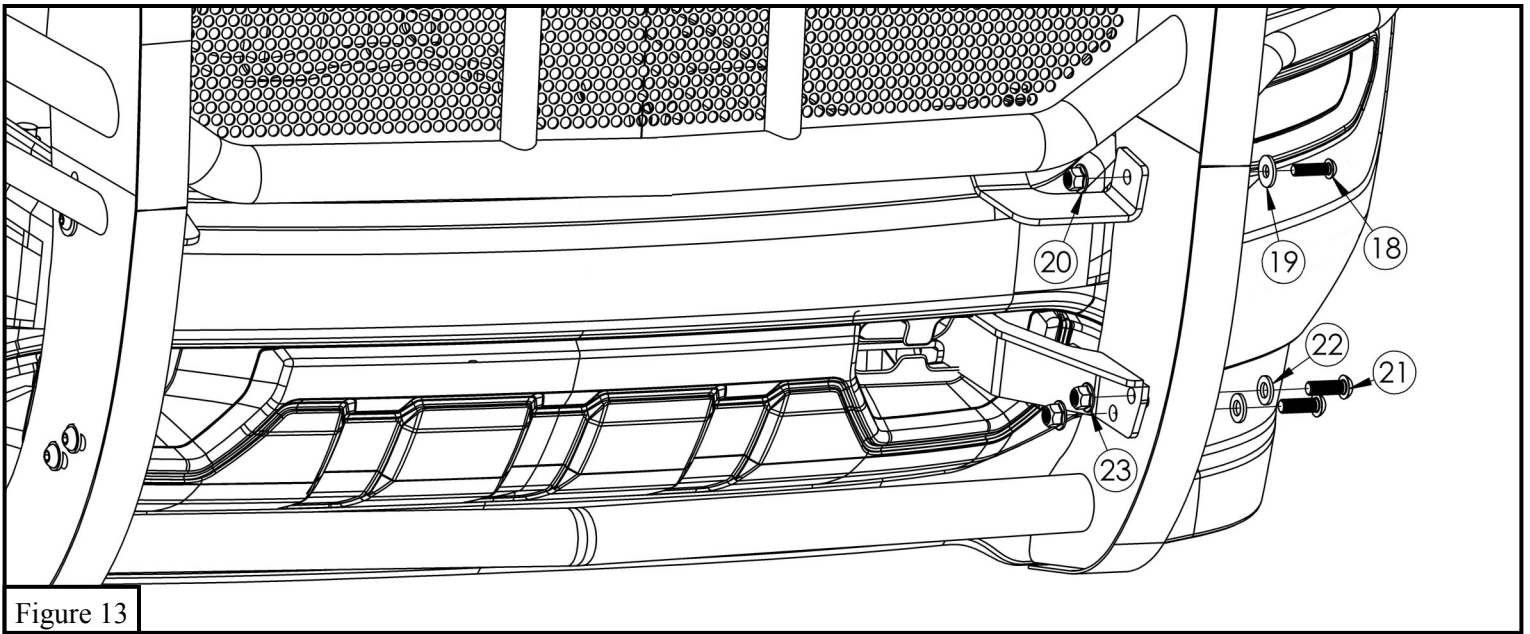


Westin Automotive Products, Inc.
320 W. Covina Blvd
San Dimas, Ca. 91773

Thank you for choosing Westin products
for additional installation assistance please call
Customer Service (800) 793-7846

www.westinautomotive.com

DATE: 9/26/16



Care Instructions

- REGULAR WAXING IS RECOMMENDED. DO NOT USE ANY TYPE OF POLISH OR WAX THAT MAY CONTAIN ABRASIVES.
- STAINLESS STEEL PRODUCTS CAN BE CLEANED WITH MILD SOAP AND WATER. STAINLESS STEEL POLISH SHOULD BE USED TO POLISH SMALL SCRATCHES.
- GLOSS BLACK FINISHES SHOULD BE CLEANED WITH MILD SOAP AND WATER.



Westin Automotive Products, Inc.
 320 W. Covina Blvd
 San Dimas, Ca. 91773

Thank you for choosing Westin products
 for additional installation assistance please call
 Customer Service (800) 793-7846
www.westinautomotive.com

Westin

SIGNATURE OF QUALITY

AUTOMOTIVE PRODUCTS, INC.



WARNING



Failure to follow these instructions could lead to death, personal injury, and / or property damage.

FASTENERS:

All Westin supplied fasteners must be utilized and installed in accordance with the installation instructions and apply torque to the specifications as defined. **DOUBLE CHECK ALL FASTENERS BEFORE INITIAL USE, AND PERIODICALLY IN THE FUTURE TO ENSURE PROPER FUNCTION AND SAFETY.**

DRILLING:

Most Westin products do not require drilling for installation. If drilling is defined as required, use caution when drilling a vehicle. **FAILURE TO REVIEW AN AREA TO BE DRILLED MAY RESULT IN PERSONAL INJURY AND/OR INJURY TO OTHERS AS WELL AS VEHICLE DAMAGE.**

EYE PROTECTION:

ALWAYS WEAR SAFETY GLASSES OR GOGGLES DURING THE INSTALLATION PROCESS TO AVOID PERSONAL INJURY.

MAXIMUM TOWING/CARRYING CAPACITY:

The Westin Receiver Hitches will have a visible tow rating label affixed directly on the product. User should never exceed the vehicle manufacturers maximum tow and weight rating regardless of the capacity of the hitch. **FAILURE TO FOLLOW THESE GUIDELINES WILL VOID THE WESTIN WARRANTY AND MAY RESULT IN PERSONAL INJURY AND/OR INJURY TO OTHERS AS WELL AS VEHICLE DAMAGE.**

Westin Automotive Products, Inc.
320 W. Covina Blvd
San Dimas, Ca. 91773