

ROAD



ARMOR

2003 - 2007 CHEVY 2500/3500 FRONT BUMPER INSTALL INSTRUCTIONS



Warning!

Read the instructions completely before beginning the installation. Before tightening bolts, drilling or cutting where required, check to make sure that there are no obstructions such as brake, fuel or electrical lines that may be damaged. Also keep in mind this is an aftermarket product and MAY require some minor shimming and or trimming, reaming etc. to fit properly.

IMPORTANT NOTICE

IF YOU ARE RECEIVING THIS ROAD ARMOR PRODUCT RAW/UNCOATED.

BE SURE TO INSPECT AND OR TEST FIT YOUR PRODUCT TO ENSURE PROPER FITMENT AND ADEQUATE SURFACE PREPERATION BEFORE HAVING YOUR PRODUCT COATED, PAINTED, BED LINED, ETC.

ROAD ARMOR WILL NOT BE RESPONSIBLE FOR THE COST OF COATING YOUR UNIT IF ANY PROBLEMS WITH FIT OR FINISH ARE NOT NOTED AND ADDRESSED PRIOR TO HAVING YOUR PRODUCT COATED.

THANK YOU

SUGGESTED LIGHTS THAT FIT THIS UNIT:

One Set of PIAA 510 - www.piaa.com - Part Numbers (5161, 5164, 5192, 5190, 5196).

OR

One Set of Warn 350F - www.warn.com Part Number (82410).

One Set of PIAA 540 - Part Number (5461, 5462)



TOOLS NEEDED

- Yourself and a strong friend / bumper jack.
(Don't worry, we're not calling you or your friend a "tool")
- Socket set, Ratchet & Wrenches (metric & standard)
(... more than likely metric for your rig, cause everything's imported these days,
and standard for your new bad ass Made in USA bumper.
Road Armor thanks you for supporting the American Economy!)
- Metal Cutting tool
- Common Sense a Tape Measure and a bit of Patience
(And also a cold drink to celebrate afterwards)



STEP 1: Make sure you have all necessary tools and hardware.

- (6) SINGLE BOLT PLATES (mfg. part)
- (6) 1/2" PUSH ON RETAINERS
- (6) 1/2" GR8 FLAT WASHERS
- (6) 1/2" LOCK WASHERS
- (4) 3/8 SOCKET CAP WINCH BOLTS
- (4) 7/16 ALLEN HEAD WINCH BOLTS
- (6) Hex Nut 1/2-13 GR8
- (4) ALLEN HEAD BOLT & NUT (for logo)
- (1) Large Road Armor Logo

STEP 2 - Uninstalling OEM Bumper

- Park on level surface and disconnect battery.

Picture: 1

- Looking from the top of the grill, remove all the plastic rivets that hold the top grill cover in place and set the cover aside.

Picture: 2

- Remove the front grill and the rubber cover shown with the arrow.

Picture:3

- From the top of the bumper remove the four 15mm bolts. At this time if you have factory fog lights unplug the connectors on the back side of the bulbs.

Picture: 4 A-B

- Remove the front bumper. If equipped with front factory two hooks remove.
- With either a cut off wheel, torch, plasma cutter, etc.. cut the welds that the arrows point to in the pictures and remove the upper part of the frame.

Picture: 5 A-D

- After cutting the frame horns take a grinder and remove and excessive welds and slag that may be left then paint to prevent rust.
- Picture: 6

STEP 3 - Installing Road Armor Bumper

- Mount the driver and the passenger bumper brackets to the frame horns using the 1/2" bolts, washers, lock washers, and the nuts welded on a tab. Make sure to put the 3/8" space between the inside frame horn and the bracket as shown with the arrow. Leave brackets loose to allow adjustment for the bumper.

Picture: 5 A-C

- At this time you install optional winch /or lights at this time according to manufactures instructions.

Picture: 11





- Place tape on the edges of the body to prevent the paint from scratching.
- Place the four 1/2" bolts welded to tabs in the bumper and push on the retainer washers onto the bolts (use a small socket to help push them on). Place bumper onto the brackets making sure that all four bolt line up. Then use four washer, lock washers and nuts to hold bumper in place.
- Picture: 9 A-B
- With the bumper in place adjust one side a a time till you get the it in the right location then tight all the bolts. After bumper is tight trim inner fender to aline with bumper (be careful on drivers side the windshield washer fluid bottle is right behind fender).
- Picture: 10
- Now replace front grill and plastic cover using the rivets that you took out

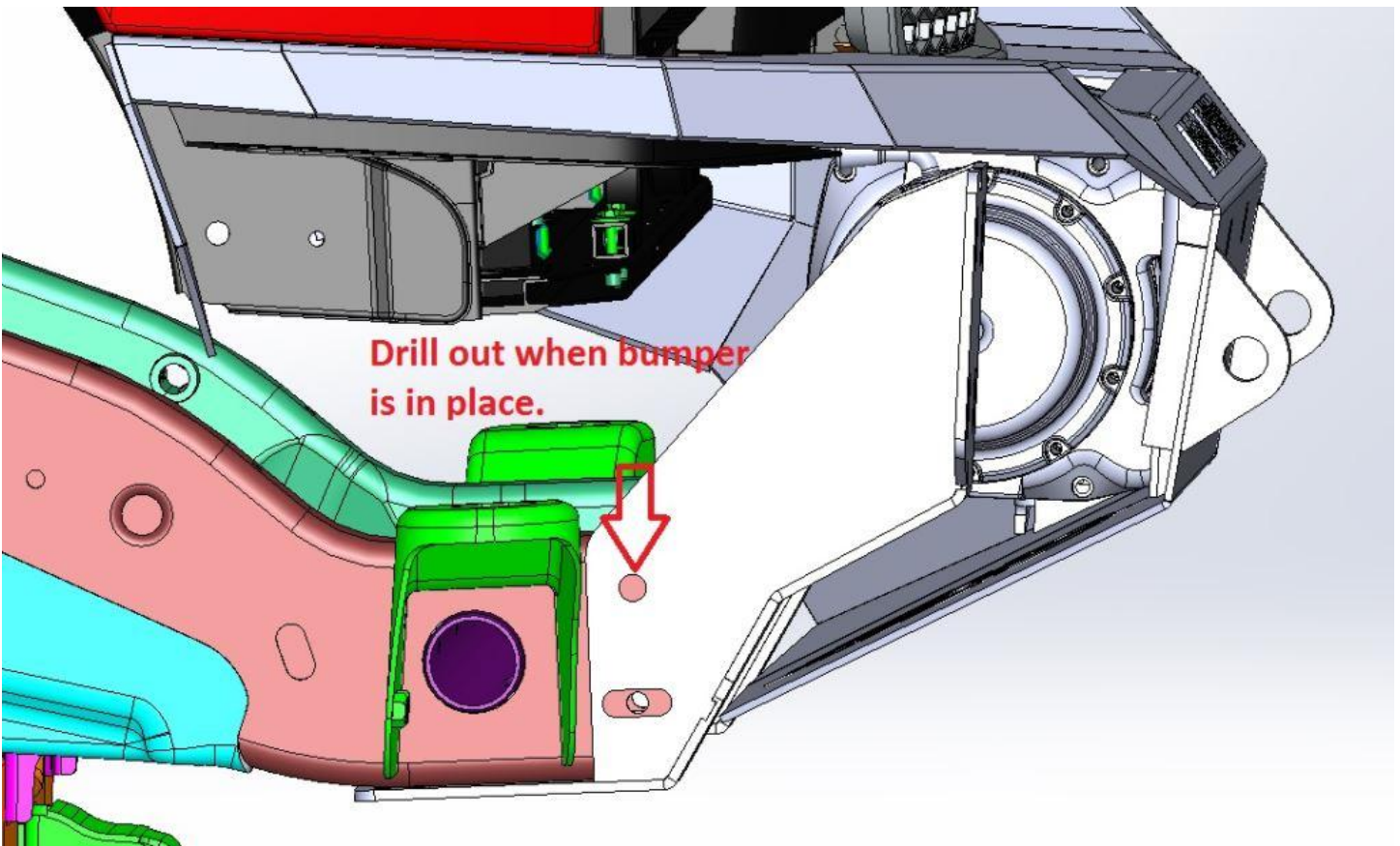
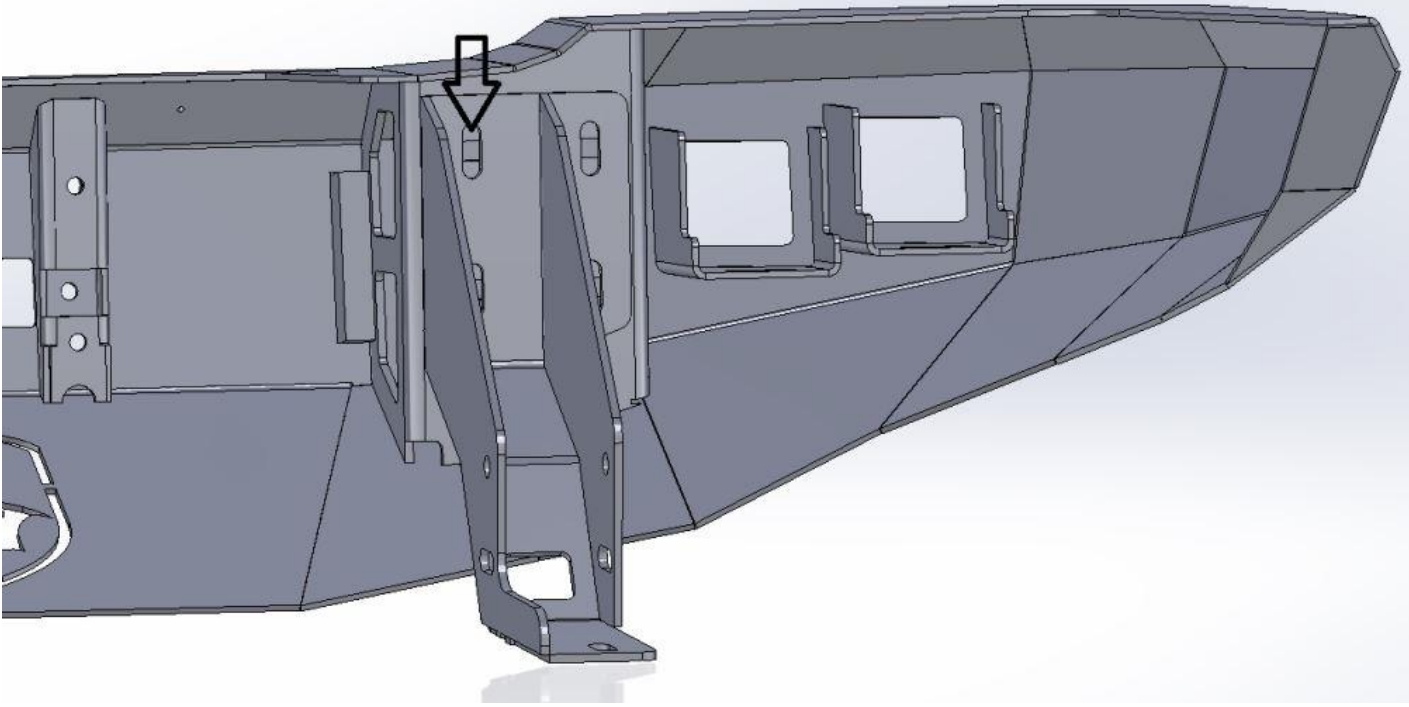




CUT AT THE RED LINES & REMOVE



Use the bolt tabs on the inside of the bumper.





- Install the winch to the bumper using the supplied Allen Bolts and Washers.
Note - Install the Flairlead bolts before you mount the winch.

