

INSTALLATION MANUAL

PRODUCT: FRONT BUMPER
MODEL: JEEP WRANGLER JK (2007-2018)
JEEP WRANGLER JL (2018-)
JEEP GLADIATOR JT (2019-)
PART NO: 2D.2701.1-NL
2D.2702.1-NL



CAUTION!

To reduce the risk of serious injury or damage, please read and understand all instructions and procedures before attempting to install or use this product.
Safety glasses must be worn at all times during installation or maintenance of this product.
Ensure all mounting bolts are tensioned after 400 kms/250 miles and periodically thereafter.

NOTICE

Whilst the bumper adds additional protection to your vehicle, precautionary measures still need to be taken to avoid damage.
Always drive to the conditions and your surroundings

FRONT BUMPER



Part Number: 2D.2701.1-NL (FULL WIDTH)
Suited to vehicle: JEEP WRANGLER JL 2018-
JEEP WRANGLER JK 2007-2018
JEEP GLADIATOR JT 2019-
Material: Aluminum/Steel
Dimensions: 1946x473x457 mm
76,6x18.6x18 inch
Weight: 55 kg / 121,2 pound



Part Number: 2D.2702.1-NL (STUBBY)
Suited to vehicle: JEEP WRANGLER JL 2018-
JEEP WRANGLER JK 2007-2018
JEEP GLADIATOR JT 2019-
Material: Aluminum/Steel
Dimensions: 1296x523x407 mm
51x20.6x16 inch
Weight: 49 kg / 108 pound

SAFETY NOTICE

- * The RIVAL Bumper is designed to compliment the use and design of the specified vehicle under conditions specified by the vehicle manufacturer.
- * While driving the vehicle at any speed, collision with any other vehicle, animal or object must always be avoided.
- * Following any collision with any other vehicle, animal or object, the RIVAL Bumper and the vehicle must be inspected by a specialized or suitably qualified vehicle repairer for possible damage to the components and assemblies in order to confirm suitability for further use of the vehicle.
- * It is strongly recommended that you do not operate a vehicle with a damaged bumper or its components. In the case of damage, please contact the nearest RIVAL dealer. Vehicle, or where the bumper has been damaged, is extremely dangerous and must be avoided at all cost.
- * The operation of a vehicle where the bumper is not properly attached and fastened to the vehicle, or where the bumper has been damaged, is extremely dangerous and must be avoided at all cost.
- * It is recommended that you carry out regular inspections of all the bumper elements such as all bolts, wires, connectors.
- * A winch with a pull capacity of up to and including 12000 lb can be installed with the RIVAL Bumper. It is not advisable to exceed this pulling capacity since damage, injury or death may occur where the 12000lb recommended capacity is exceeded. The Rival bumper provides standard 4 1/2"x10" mounting holes.

INSTALLATION NOTICE

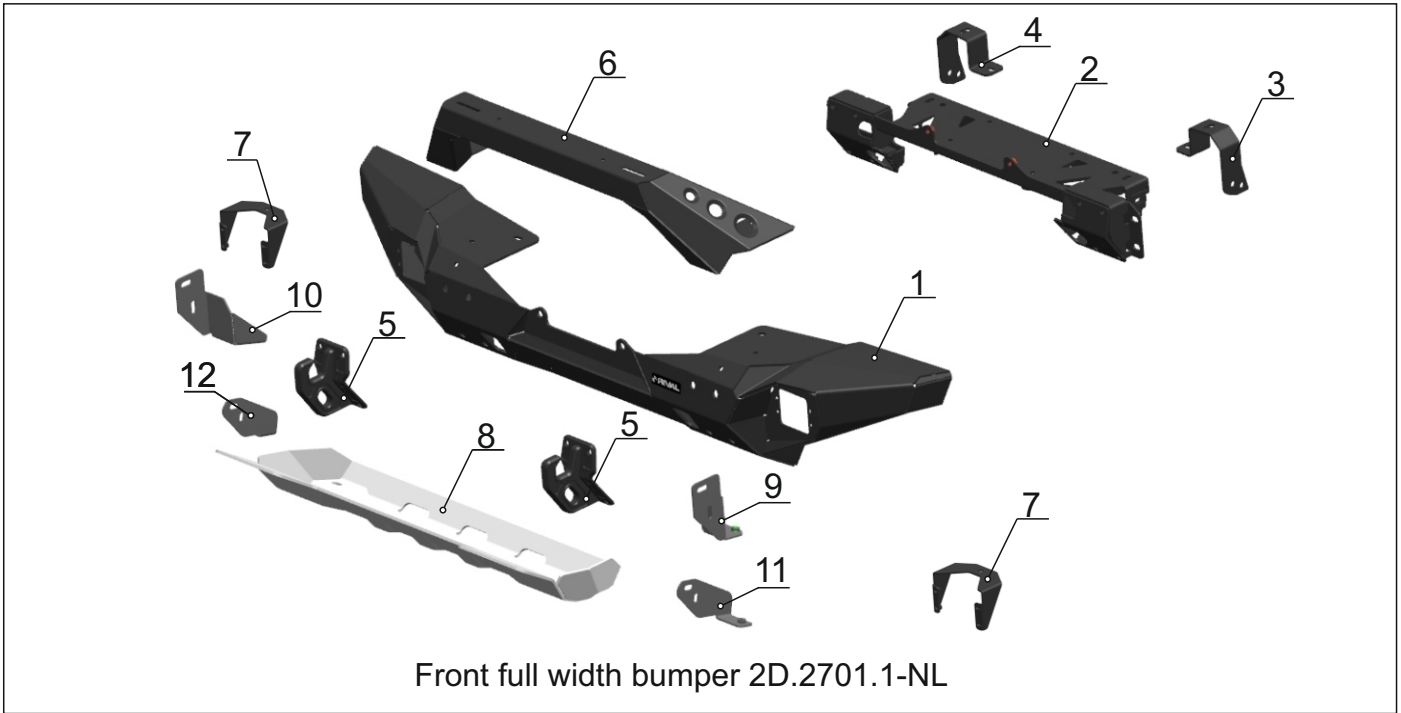
- * Personal safety during the installation process must be adhered to at all times.
- * Estimated time for installation: 2 hours.
- * The RIVAL Bumper must be mounted and affixed to the vehicle according to this installation manual and the use of personal safety equipment is highly recommended.
- * Do not install this bumper on vehicle models other than those allowed in this manual.
- * Check state and local highway safety laws regarding permitted bumper types and heights.
- * If you bought the 2D.2701.1 bumper, please use this instruction to install the bumper then refer to the LED lights installation guide.

REQUIRED TOOLS

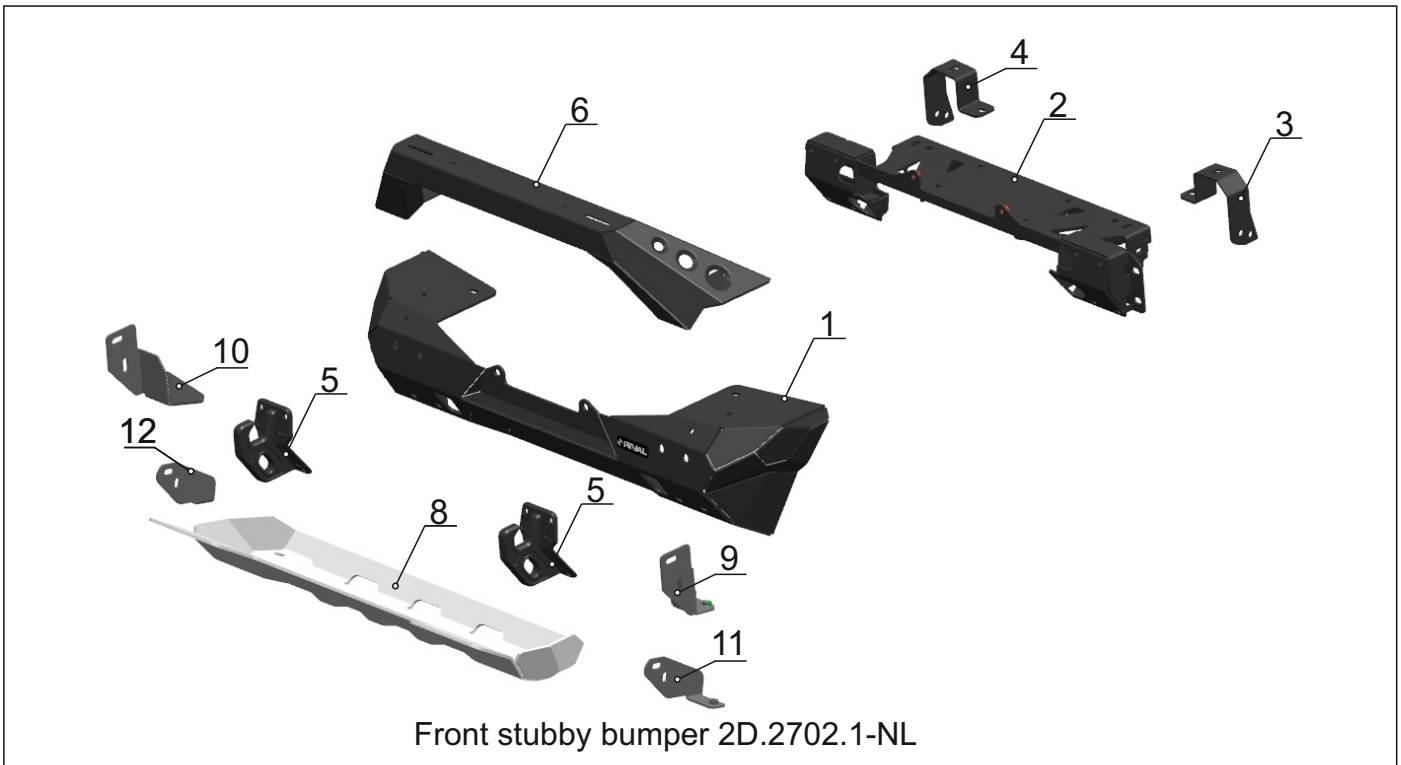
- * Basic tool kit
- * Torque wrench
- * Crosspoint and flat head screwdriver

TORQUE SETTING

- * M6 - 9 N·m (6.6 lb/ft),
- * M10 - 30 N·m (22.1 lb/ft),
- * M12 - 77 N·m (56.8 lb/ft).

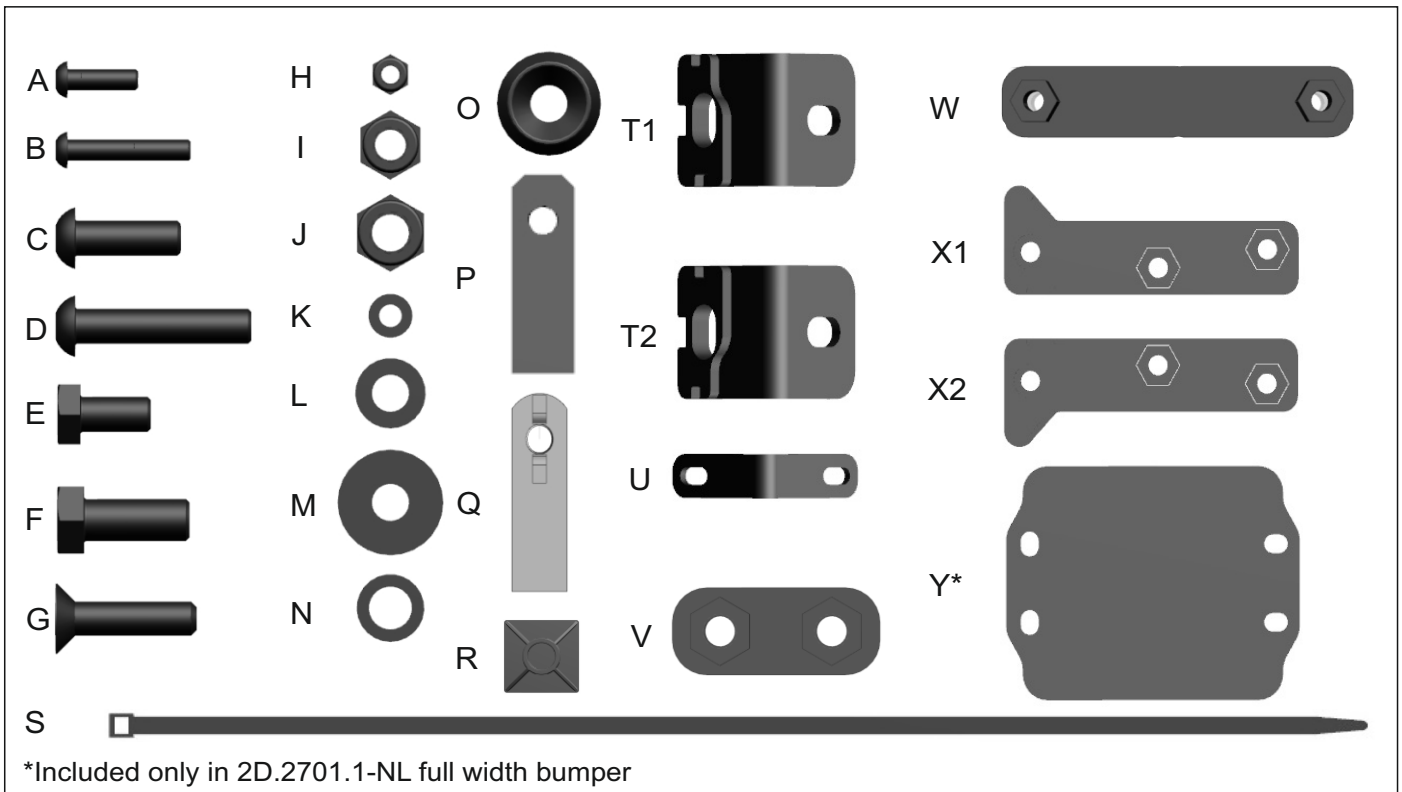


Front full width bumper 2D.2701.1-NL



Front stubby bumper 2D.2702.1-NL

- | | |
|------------------------------------|--|
| 1. Aluminum bumper body..... Qty 1 | 7. LED brackets..... Qty 2 |
| 2. Winch bracket..... Qty 1 | 8. Skid plate..... Qty 1 |
| 3. Left adapter..... Qty 1 | 9. Skid plate bracket left (JK)..... Qty 1 |
| 4. Right adapter..... Qty 1 | 10. Skid plate bracket right (JK). Qty 1 |
| 5. Tow hooks..... Qty 2 | 11. Skid plate bracket left (JL).... Qty 1 |
| 6. Lightbar..... Qty 1 | 12. Skid plate bracket right (JL).. Qty 1 |



*Included only in 2D.2701.1-NL full width bumper

2D.2701.1-NL full width bumper

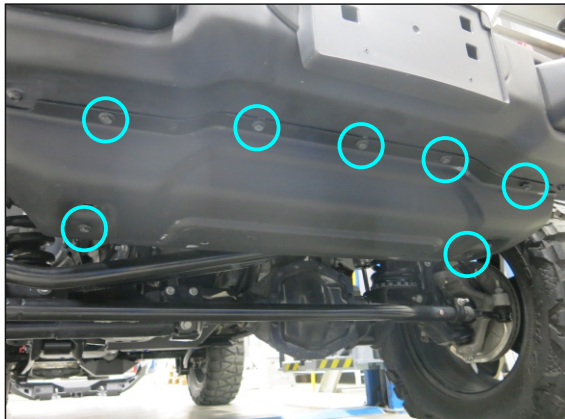
A. Screw M6x20.....	Qty 10	O. Countersunk washer.....	Qty 6
B. Screw M6x35.....	Qty 2	P. Insert nut M10x65/15.....	Qty 6
C. Screw M10x30.....	Qty 16	Q. Insert nut M10 with cables.....	Qty 2
D. Screw M10x50.....	Qty 2	R. Cable clips.....	Qty 5
E. Bolt M10x20.....	Qty 14	S. Cable tie.....	Qty 6
F. Bolt M12x30.....	Qty 8	T1. Angle strut bracket right (JL,JT).....	Qty 1
G. Screw M10x40.....	Qty 6	T2. Angle strut bracket left (JL,JT).....	Qty 1
H. Nut M6.....	Qty 4	U. Vacuum pump bracket.....	Qty 2
I. Nut M10.....	Qty 8	V. Insert nut M10.....	Qty 2
J. Nut M12.....	Qty 8	W. Inner bracket.....	Qty 2
K. Washer 6.....	Qty 16	X1. Insert bracket left (JK).....	Qty 1
L. Washer 10.....	Qty 36	X2. Insert bracket right (JK).....	Qty 1
M. Flat washer 10.....	Qty 4	Y. LED light cap.....	Qty 2
N. Washer 12.....	Qty 16		

2D.2702.1-NL stubby bumper

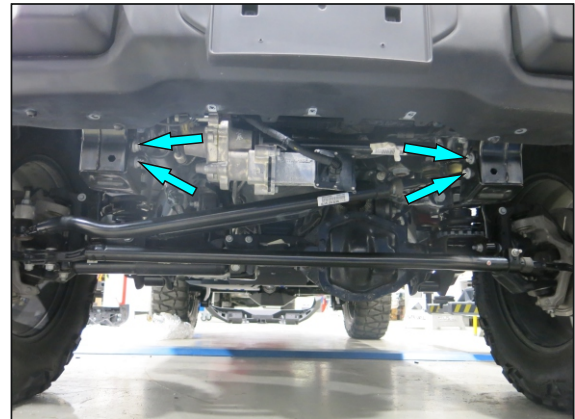
A. Screw M6x20.....	Qty 10	N. Washer 12.....	Qty 16
B. Screw M6x35.....	Qty 2	O. Countersunk washer.....	Qty 6
C. Screw M10x30.....	Qty 16	P. Insert nut M10x65/15.....	Qty 6
D. Screw M10x50.....	Qty 2	Q. Insert nut M10 with cables.....	Qty 2
E. Bolt M10x20.....	Qty 14	R. Cable clips.....	Qty 5
F. Bolt M12x30.....	Qty 8	S. Cable tie.....	Qty 6
G. Screw M10x40.....	Qty 6	T1. Angle strut bracket right (JL,JT).....	Qty 1
H. Nut M6.....	Qty 4	T2. Angle strut bracket left (JL,JT).....	Qty 1
I. Nut M10.....	Qty 8	U. Vacuum pump bracket.....	Qty 2
J. Nut M12.....	Qty 8	V. Insert nut M10.....	Qty 2
K. Washer 6.....	Qty 16	W. Inner bracket.....	Qty 2
L. Washer 10.....	Qty 36	X1. Insert bracket left (JK).....	Qty 1
M. Flat washer 10.....	Qty 4	X2. Insert bracket right (JK).....	Qty 1

Preparation for installation on JK, JL, JT

*The procedure can vary based on your type of factory bumper



1. Remove 7 bolts securing steering skid plate. Uninstall skid plate.



2. Unscrew 2 bolts (on each side) securing skid plate bracket.



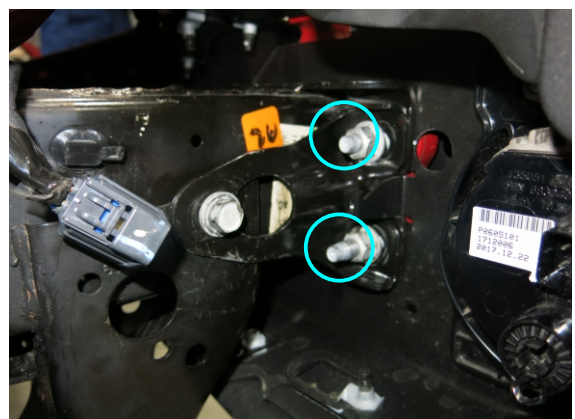
3. Unscrew 2 bolts securing OE skid plate.



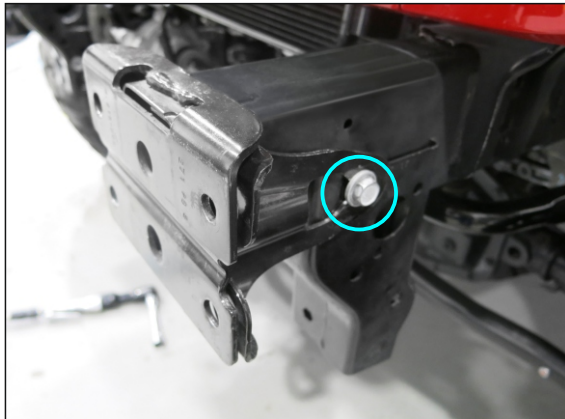
4. Remove fascia plate trim clips. Remove plastic push clips, using a small feather edge screwdriver.



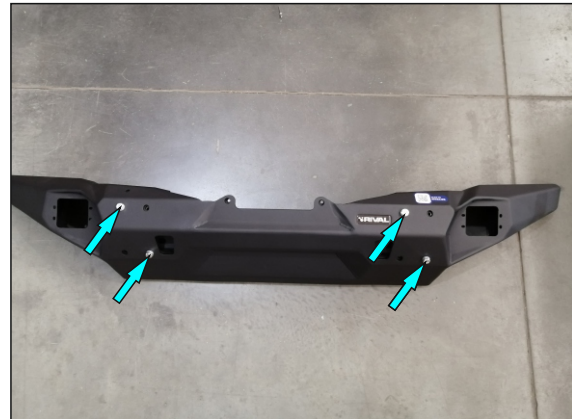
5. Disconnect the fog light wire harness.



7. Unscrew 8 nuts from the OE bumper (four on each side). Remove OE bumper, remove horn.

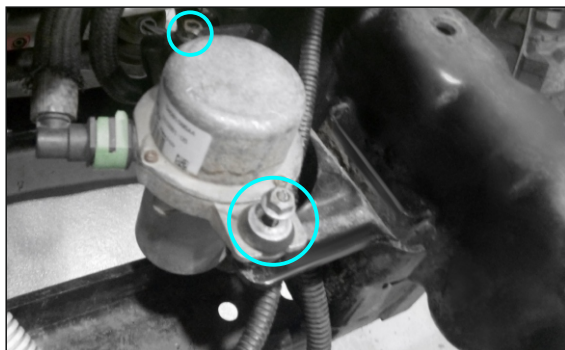


8. Remove 4 pcs frame reinforcement (two on each side), by unscrewing OE bolts. **Set bolts aside for re-use later on.**

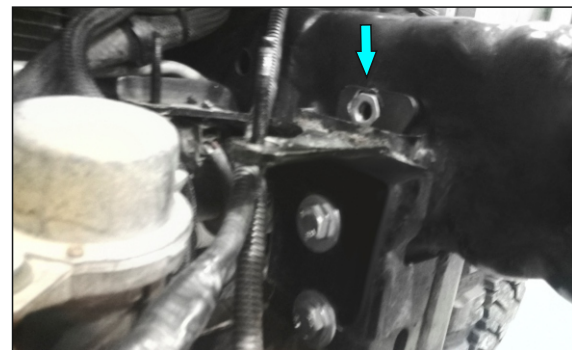


9. Unscrew 4 transportation bolts before installation.

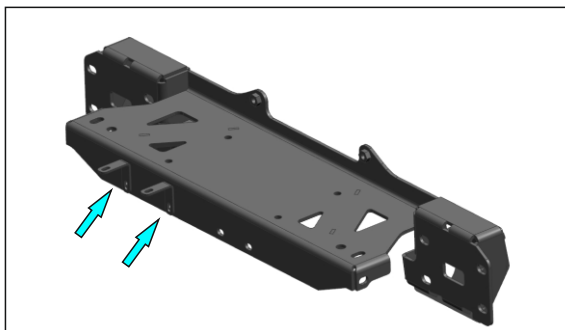
Winch bracket installation on JK



9. Unscrew vacuum pump nuts and remove vacuum pump.



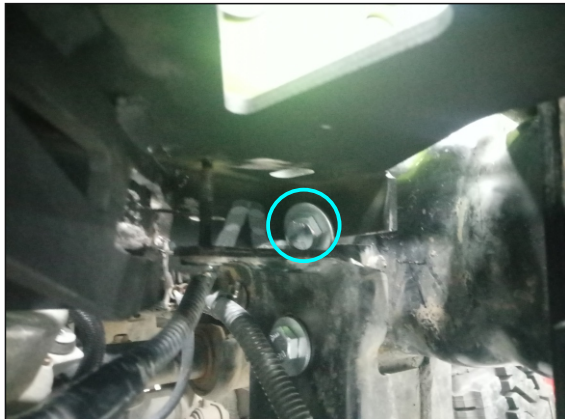
10. Install insert brackets (pos.X1,X2), fix them using bolts M10x20 (pos.E) and flat washers 10 (pos.M) on both sides. **Do not tighten yet.**



11. Install vacuum pump bracket (pos.U) on the winch plate bracket using screws 6x20 (pos.A), washers 6 (pos.K), nuts M6 (pos.H).



12. Install winch plate bracket onto the vehicle frame. Fix it using bolts M12 (pos.F), nuts M12 (pos. J) and two washers 12 (pos. N). **Do not tighten yet.**

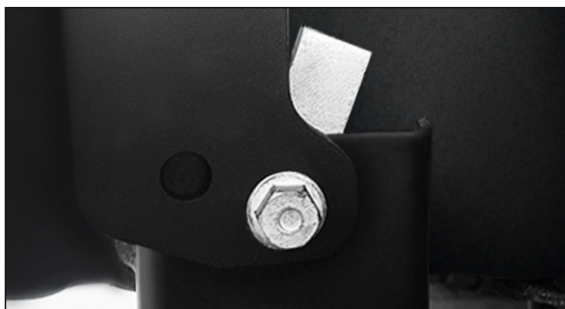


13. Attach the winch plate bracket (pos.2) with brackets (pos.X1,X2) from the inside, using bolts M10x20 (pos.E), washers 10 (pos.L).

Do not tighten yet.



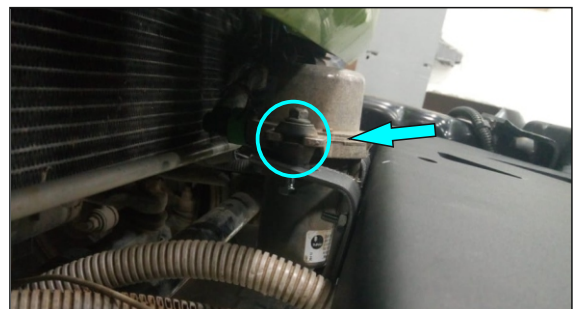
14. Install insert nut (pos. Q) in adapter (pos. 3,4). Unbend the wire.



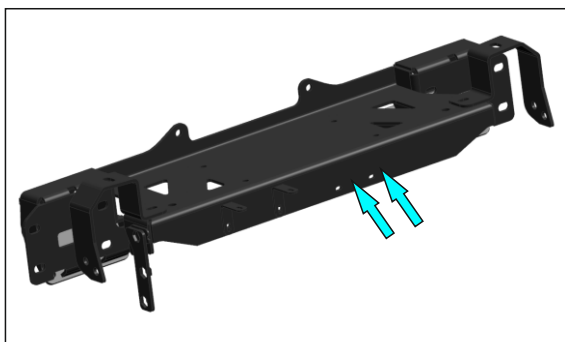
15. Install adapter (pos.3,4). Attach it to the frame using bolt M10x20 (pos.E), washer 10 (pos.L) and insert nut (pos.P).

Attach adapter to the winch plate bracket using screw M10x30 (pos.C), two washers 10 (pos.L) and nut M10 (pos. I).

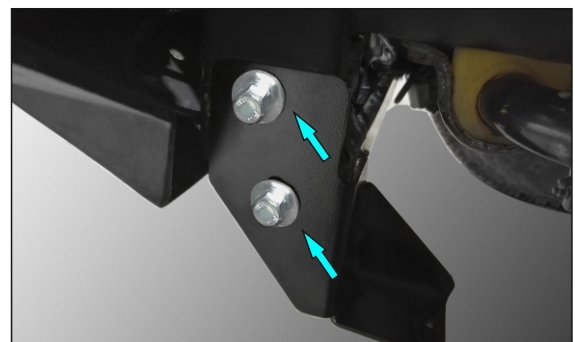
Tighten hardware after that.



16. Install vacuum pump on the bracket, preventing contact with radiator. Attach it using bolt M6x35 (pos.B), washers 6 (pos.K) and nuts M6 (pos.H).



17. Install horn using OE bracket and bolts M10x20 (pos.E), washers 10 (pos.L) and nuts M10 (pos.I).



18. Install skid plate brackets (pos.9,10) using bolts M10x20 (pos.E), washers 10 (pos.L) and inner bracket (pos.P) on both sides.

Winch bracket installation on JL, JT



19. Install winch plate bracket onto the vehicle frame. Attach it using bolts M12x30 (pos.F), nuts M12 (pos. J) and two washers 12 (pos.N). **Do not tighten yet.**



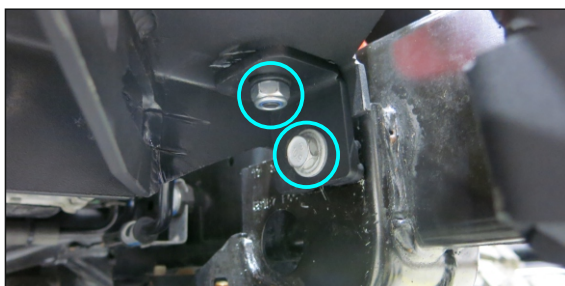
20. Install insert nuts (pos. Q) into adapters (pos. 3,4). Unbend the wire.



21. Install adapter (pos.3,4). Insert screw M10x30 (pos.C) and washer 10 (pos.L) onto winch plate bracket (as shown).



22. Attach adapter to the frame using OE bolt on both sides. **Do not tighten yet.**



23. Install angle strut bracket (pos. T1,T2). Attach it to the frame using OE bolt. Attach adapter (pos.3,4). and angle strut bracket (pos. T1,T2) to the winch plate bracket using screw M10x30 (pos. C), washers 10 (pos. L) and nut M10 (pos. I).

Tighten hardware after that.



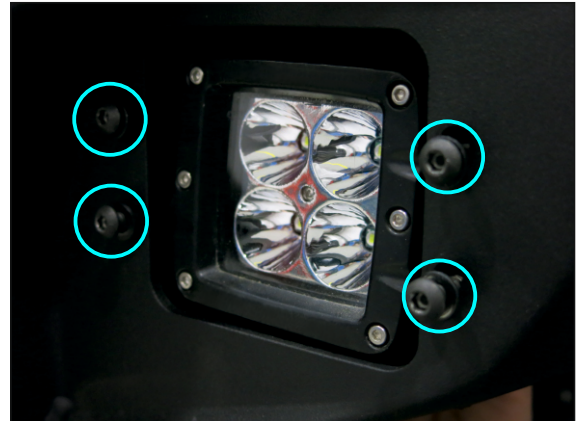
24. Install skid plate bracket (pos.11,12) using bolts M10x20 (pos.E) and washers 10 (pos.L). If you don't have rivet nuts in the frame, then use inner bracket M10 (pos.V).

LED lights installation For 2D.2701.1-NL full width bumper only



25. Install LED lights to LED brackets (pos.7).

LED lights are not supplied with bumper.



26. Install LED lights from the inside of the bumper. Fix it using screws M6x20 (pos.A), washer 6 (pos.K).

If you don't have LED lights, install the LED light cap (pos. Y) with screws M6x20 (pos. A), washers 6 (pos. K), LED brackets (pos.7).

Tighten hardware after that.

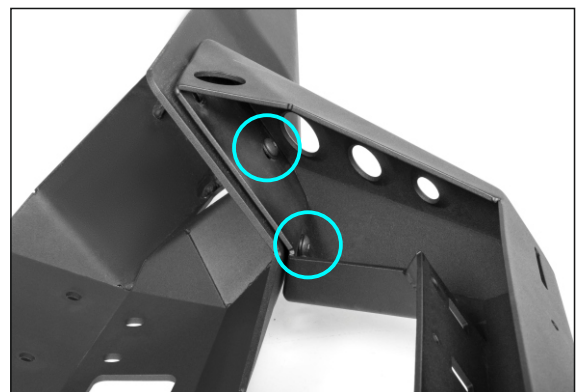
Attach wire to the bumper, using cable tie (pos.S) and cable clips (pos.R).

For your convenience connect LED wires with plug before aluminium bumper body installation.

Lightbar installation



27. Install lightbar (pos.6) onto the bumper (pos.1).



28. Attach it using screws M10x30 (pos.C), washers 10 (pos.L) and nuts M10 (pos.I).

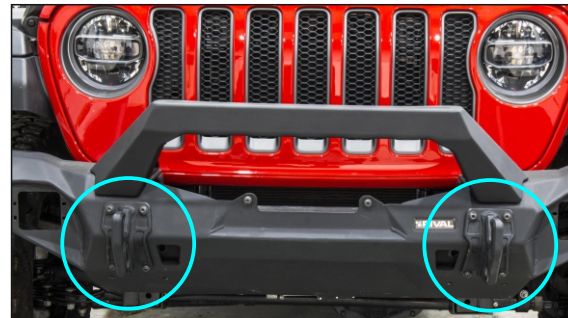
Tighten hardware after that.

Aluminum bumper body installation on JK, JL, JT



29. Install aluminum bumper body onto winch plate bracket. Attach it using two screws M10x50 (pos.D) and washers 10 (pos.L). **Do not tighten yet.**

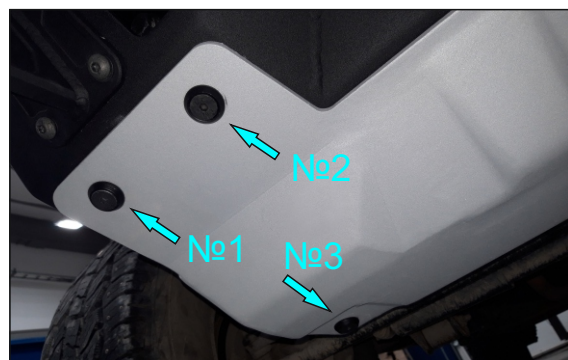
If you are going to use winch, please install fairlead (fairlead is not supplied with the bumper).



30. Attach tow hooks (pos.5) to the bumper using screws M10x30 (pos.C) and washers 10 (pos.L). **Do not tighten yet.**



31. Attach the lightbar and bumper to brackets (pos.3,4) using screws M10x30 (pos.C) and washers 10 (pos.L).



32. Install skid plate (pos.8) on the vehicle using screws M10x40 (pos.G) and countersunk washers (pos.O). Screw screws №1 and №2 in bracket (pos.W), that needs to be installed from the inside of the bumper (pos.1). Screw screws №3 in skid plate brackets (pos.9,10 for JK) or (pos.11,12 for JL, JT).

Tighten all hardware after that.

Before operating a vehicle fitted with RIVAL Bumper 2D.2701.1-NL or 2D.2702.1-NL:

- make sure all fittings are tightened
- check winch operation
- check all electrical wiring attached to lights



Thank you for your choice!

**Sincerely,
RIVAL 4x4 Team**