

# GO RHINO®

## INSTALLATION INSTRUCTIONS

### PART NO.

- 24174T

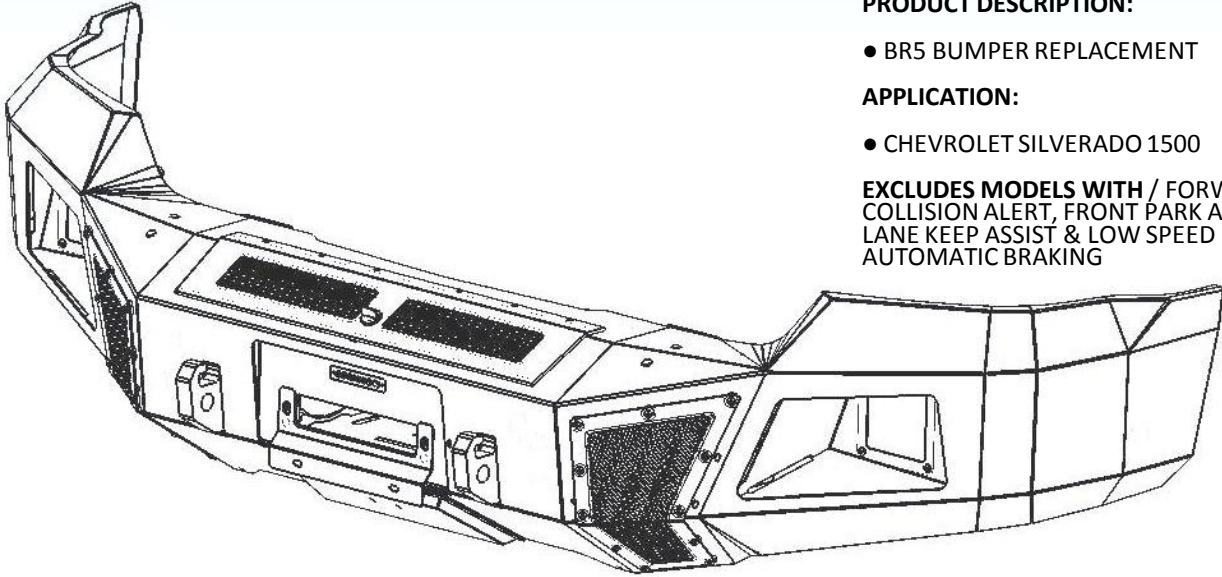
### PRODUCT DESCRIPTION:

- BR5 BUMPER REPLACEMENT

### APPLICATION:

- CHEVROLET SILVERADO 1500

**EXCLUDES MODELS WITH / FORWARD COLLISION ALERT, FRONT PARK ASSIST, LANE KEEP ASSIST & LOW SPEED FORWARD AUTOMATIC BRAKING**



### PRODUCT SAFETY & LEGAL DISCLAIMER

- **IMPORTANT READ ALL INSTRUCTIONS CAREFULLY BEFORE INSTALLING, FAILURE TO DO SO MAY CAUSE PERSONAL INJURY OR DAMAGE TO PRODUCT AND/OR PROPERTY.**
- **Review the product package and contents prior to beginning the installation.** Take care when opening the packaging and removing items. If a return is needed you will want to return the product in its original packaging if possible.
- This instruction guide is provided as a GENERAL installation guide, some vehicles vary dimensionally and may require additional steps.
- Test fit the product on the vehicle prior to any third party modifications and or finishing. The manufacturer and/or distributors do not accept responsibility for third party charges, labor and or third part replacement modifications. Some modifications may void the factory warranty.
- Exercise due-diligence when installing this product. The manufacturer and distributors of this product do not accept any responsibility for vehicle damage or personal injury resulting from the installation of this product. Careless installation and operation can result in serious injury or equipment damage.
- This product is for general off-road use. All liability for installation and use rests with the owner/operator.
- **INSTALLER:** Once installation is complete, please return this guide along with other documentation included in this product back to the consumer for future reference. The manufacturer/distributors of this product do not guarantee this particular version will be available at a later date.

© 2016 Go Rhino Products. All rights reserved

[www.gorhino.com](http://www.gorhino.com)

589 W. Apollo St., Brea, CA 92821

P: 888 427 4466



## INSTALLATION INSTRUCTIONS

### INJURY HAZARD

Please complete a shop and tool inspection prior to beginning the installation.

- Always make sure you have a clean, dry and well lit work area.
- Always remove jewelry, loose fitting clothing and wear protective gloves and eye protection.
- Always use extreme caution when jacking or raising a vehicle for work. Set the emergency brake and use tire/wheel blocks and jack stands. Refer to the vehicle manufacturer hand book. Utilize the vehicle manufacturers designated lifting points.
- Always use appropriate and adequate care in lifting parts during disassembly and installation. Seek help in lifting heavy or large items into place. Utilize jacks and or lifting devices when available.
- Always insure products are secure during disassembly and installation.
- Always wear eye protection and take steps to protect any exposed skin during the installations. Drilling, cutting and grinding plastic and metal may create flying particles that can cause injury.
- Always use extreme caution when drilling, cutting and or grinding on a vehicle. Thoroughly inspect the area to be drilled, on both sides of material, prior to modification and relocate any objects that may become damaged.
- Always assemble and tighten all fasteners per the installation instructions.
- Always route electrical cables carefully. Avoid moving parts, parts that may become hot and rough or sharp edges.
- Always insulate and protect all exposed wiring and electrical connections.

### MAINTENANCE AND CARE

- Always perform regular inspections and maintenance on mounts and related fasteners.
- Periodically check and tighten all fasteners.
- Stripped, fractured, or bent fasteners must be replaced.
- After washing the vehicle make sure to fully dry all surfaces.
- In areas with cold temperatures make sure to wash the product often to remove harmful materials used on road ways.
- Never use abrasive cleaners or polish compounds. Clean with a gentle soap and water. If you use wax use a non-abrasive automotive wax such as pure carnauba wax.

### WARNING

Some products have been designed to work together with factory rear sensor systems, factory forward facing sensor systems and factory air bags.

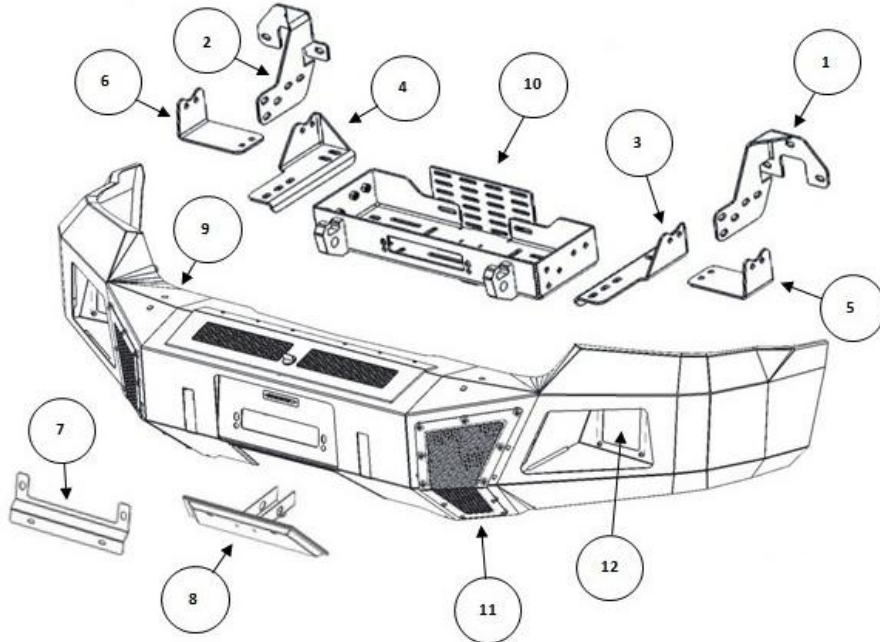
- Installation of some of these products may alter the factory sensor system performance.
- Factory sensors may read shackles or hooks protruding from the fairlead and or tow hooks.
- All sensor testing is completed by Go Rhino Products and or third party testing labs on modified vehicles.
- Sensor sensitivity, factory sensor housing, orientation, and operating conditions are all variables that will influence functionality of the sensors.
- Installation of some product may effect the factory air bag systems.
- Some products allow the use of third party products such as winches, shackles, hooks, etc. Follow the respective manufacturers operating instructions for use with our products.
- Make sure to fully understand the product, it's intended use and operation prior to use.
- Above all... be safe!

# GO RHINO®

## INSTALLATION INSTRUCTIONS

### PARTS INCLUDED IN THIS LIST:

ITEM	QTY.	DESCRIPTION	ITEM	QTY.	DESCRIPTION	ITEM	QTY.	DESCRIPTION
1	1	Frame Bracket (driver)	10	1	Winch Tray	19	4	3/8" Lock Washer
2	1	Frame Bracket (passenger)	11	2	Vent Covers (pre installed)	20	4	3/8" Hex Nut
3	1	Auxiliary Bracket (driver)	12	2	Light Pod Plates (pre installed)	21	10	1/2" x 1 1/2" Hex Bolt
4	1	Auxiliary Bracket (passenger)	13	1	5/8" Hitch-Pin	22	10	1/2" x 1 1/2" Carriage Bolt
5	1	Auxiliary Bracket Support (driver)	14	1	Hairpin Cotter Pin	23	2	1/2" Bolt Plate
6	1	Auxiliary Bracket Support (passenger)	15	1	Threaded Rod	24	2	1/2" Double Bolt Plate
7	1	License Plate Bracket	16	1	Threaded Knob	25	26	1/2" Flat Washer
8	1	Hitch Cover	17	4	3/8" x 1 1/4" Hex Bolt	26	26	1/2" Lock Washer
9	1	Bumper Shell	18	8	3/8" Flat Washer	27	16	1/2" Hex Nut



Go Rhino recommends you, the installer, read this installation instruction manual from front to back before installing the product. You may also [click here](#) to view an installation video or visit <http://www.gorhino.com/Installation-Videos>.

### TOOLS NEEDED FOR INSTALLATION:

- 10mm, 15mm, 18mm, 9/16" & 3/4" Sockets
- 10mm, 15mm, 18mm, 9/16" & 3/4" Wrenches
- Slotted Blade Screw Driver
- 5/32" Hex Key
- Ratchet, Ratchet Extensions & Swivel Joint Adapter

**ESTIMATED TIME FOR INSTALLATION:**

**2 Hour**

If you need installation service for your new product, call the authorized distributor from whom you purchased the product or an authorized installation service company which can be found by calling toll free 1-888-427-4466

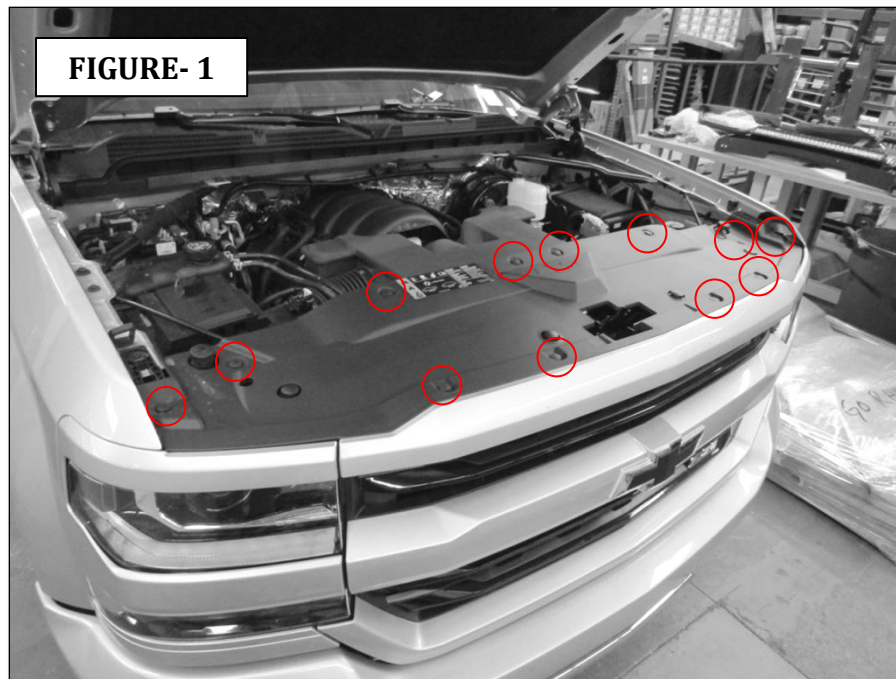
# GO RHINO®

## INSTALLATION INSTRUCTIONS

### OEM Bumper Removal

**Step-1** Open the hood and disconnect the vehicle battery or batteries. From under the vehicle disconnect the bumper wiring harness from the vehicle wiring harness.

**Step-2** Locate the (12) plastic push pins (6) per side securing the radiator cover. Using a flat blade screw driver, pull the head of the push pins up, remove push pins and lift radiator cover off. This will allow access to the bolts securing the top of the grille, (FIGURE-1).

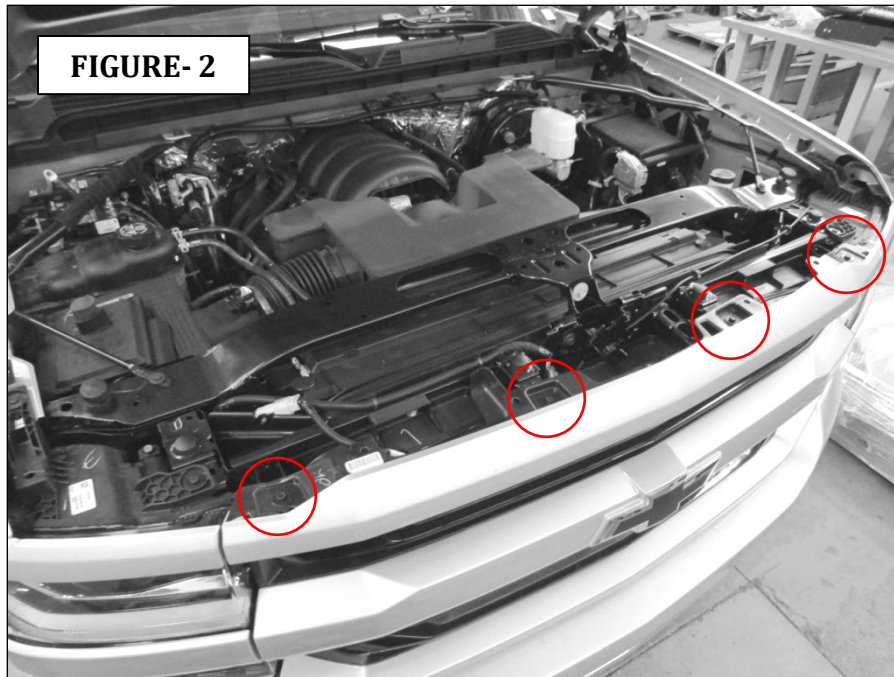




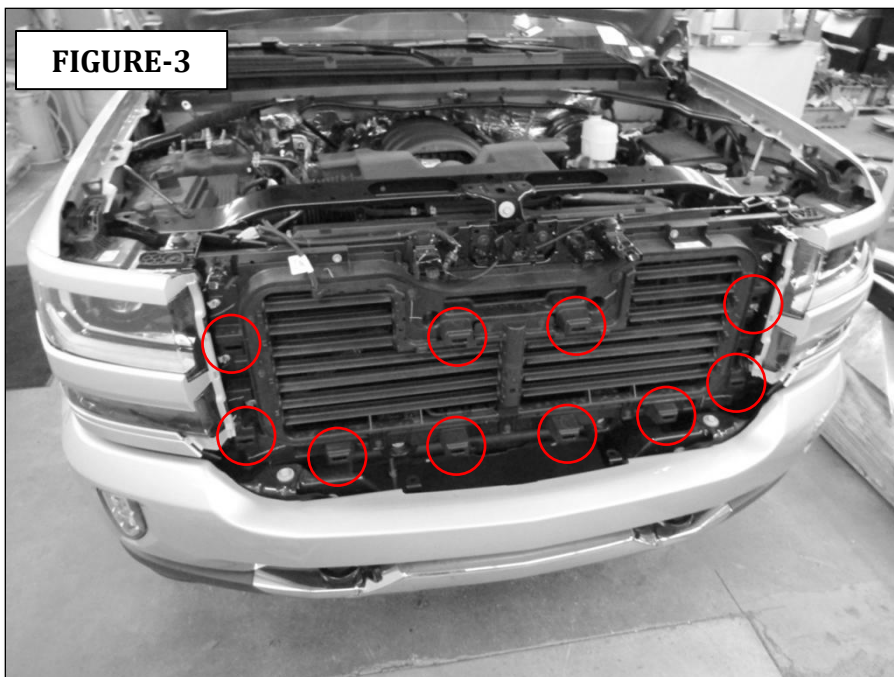
# GO RHINO®

## INSTALLATION INSTRUCTIONS

**Step-3** Using a 10mm socket and ratchet, remove the (4) screws (2) per side securing the top of the grille, (FIGURE-2).



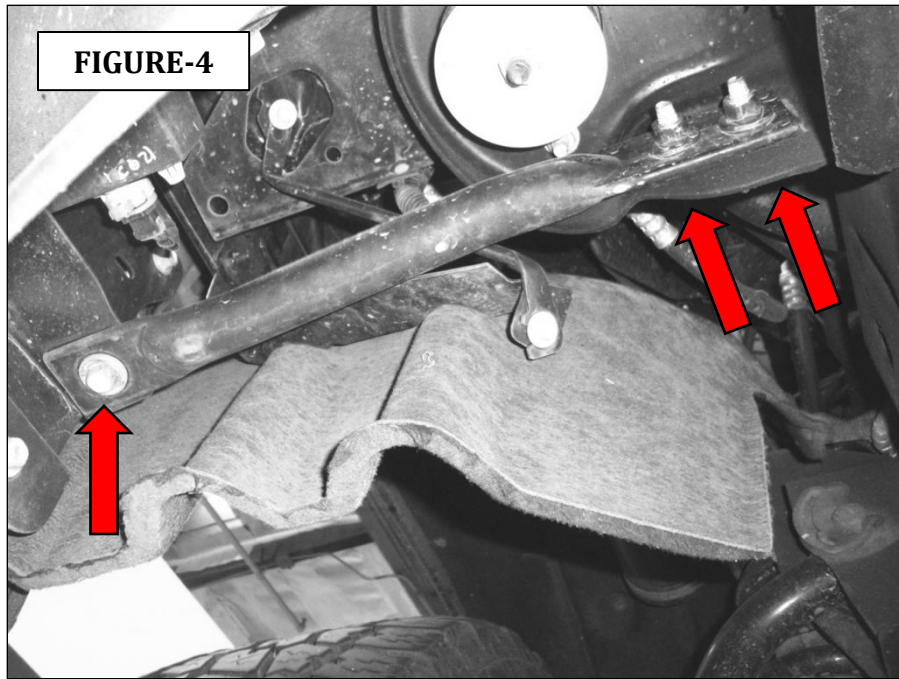
**Step-4** Working from side to side gently pull outward on the grille to unsnap the (10) clips and remove the grille, (FIGURE-3).



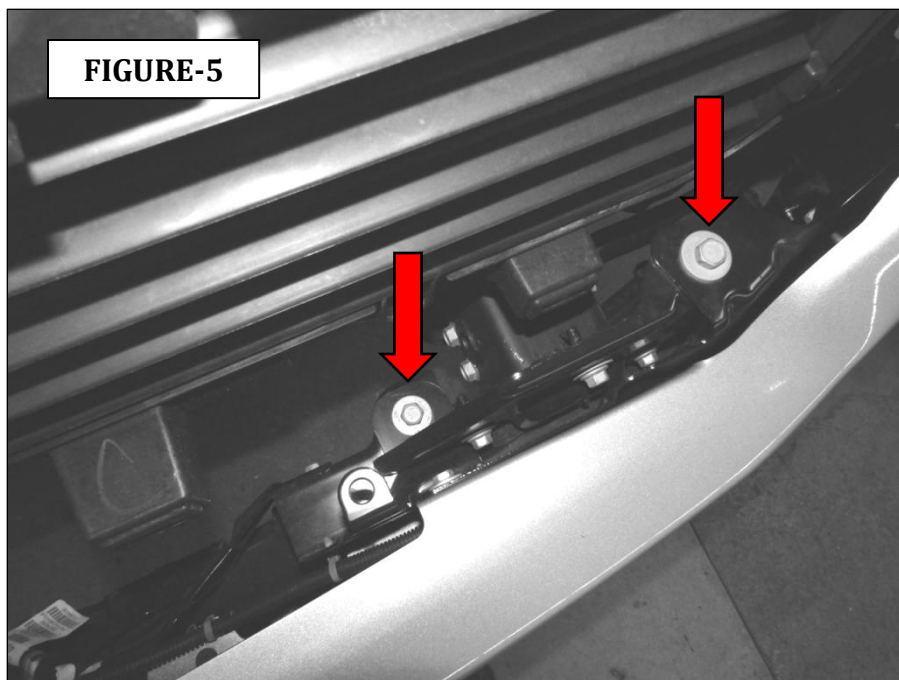
# GO RHINO®

## INSTALLATION INSTRUCTIONS

**Step-5** On each side of the vehicle, using a 15mm socket and ratchet remove (1) bolt securing the outer bumper support bar to the OEM bumper and loosen the (2) bolts securing the opposite end of the support bar to the vehicle frame body mount bracket, (FIGURE-4).

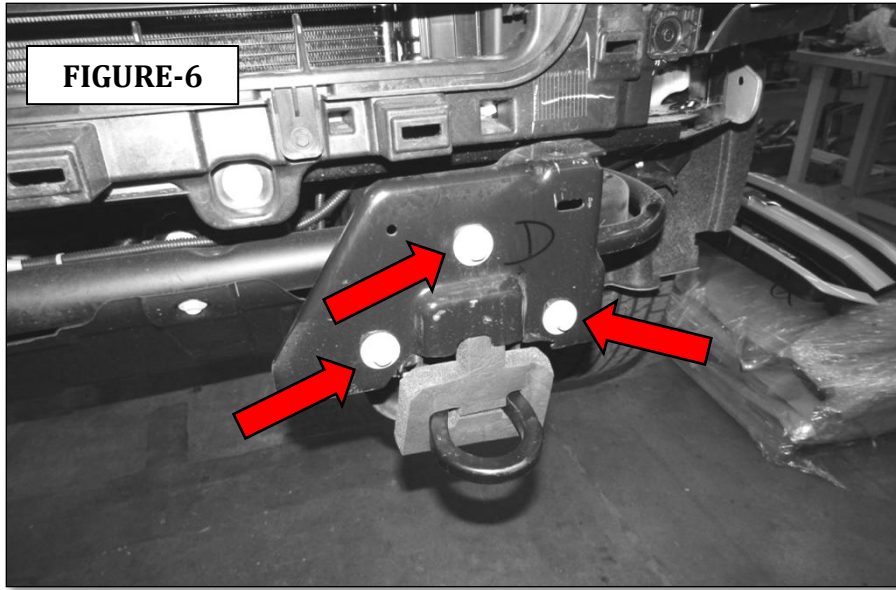


**Step-6** With assistance support the OEM bumper, use an 18mm socket and ratchet, and remove the bolts (2) per side securing the OEM bumper and bracket assembly to the frame, (FIGURE-5). Remove the OEM bumper from the vehicle.

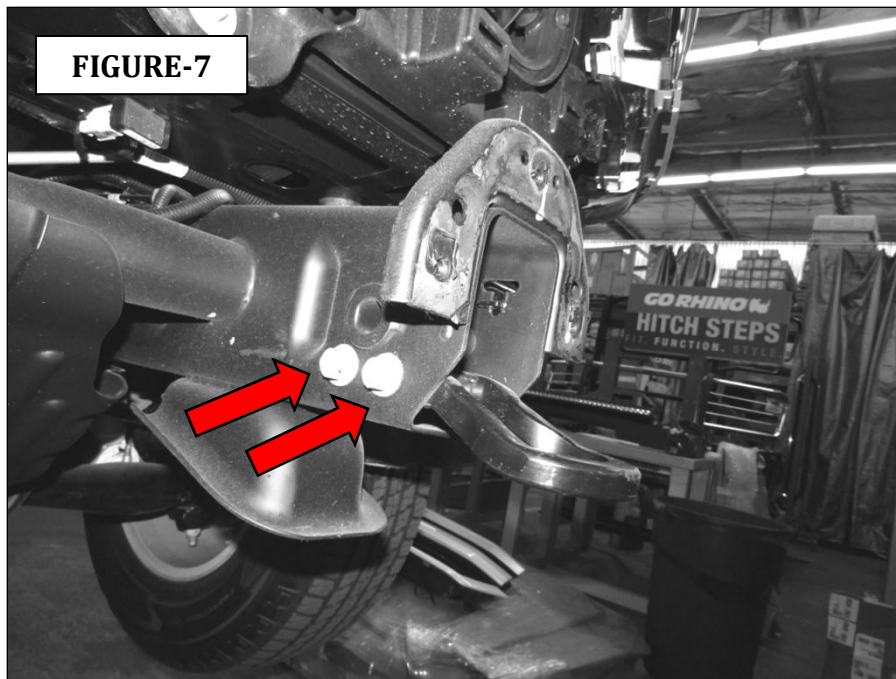


## INSTALLATION INSTRUCTIONS

**Step-7** On each side of the vehicle, using a 15mm socket and ratchet remove (3) bolts securing the OEM bumper bracket to the frame, (FIGURE-6). Retain the bolts as they will be used to secure the bumper replacement frame brackets to the vehicle.



**Step-8** If equipped, using a 18mm socket, ratchet and wrench remove the nut and (2) bolts' securing the tow hooks to the frame, (FIGURE-7). Note: The tow hooks will not be reinstalled.



**Step-9** Reinstall the grille using the bolts, and the radiator cover using the plastic push pins removed in the step 2 and 3.

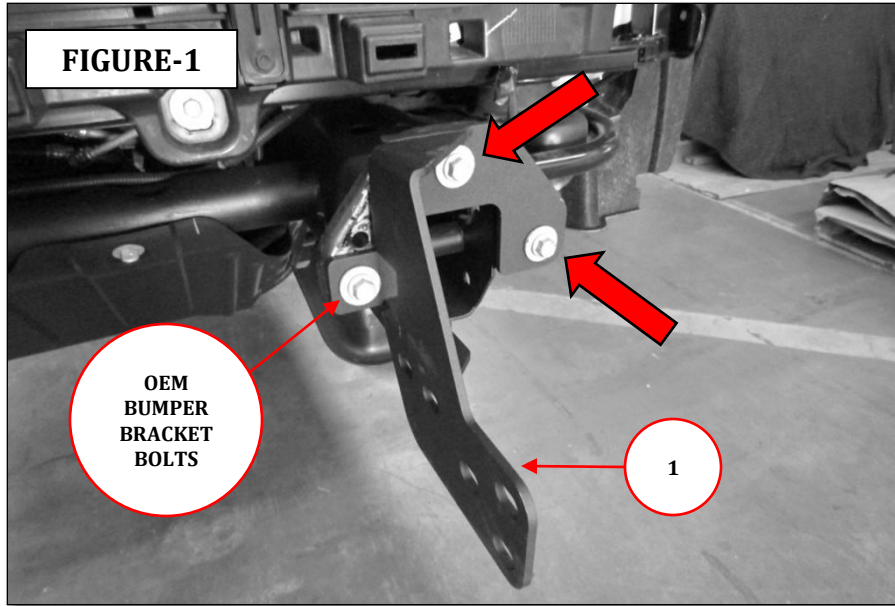


# GORRHINO<sup>®</sup>

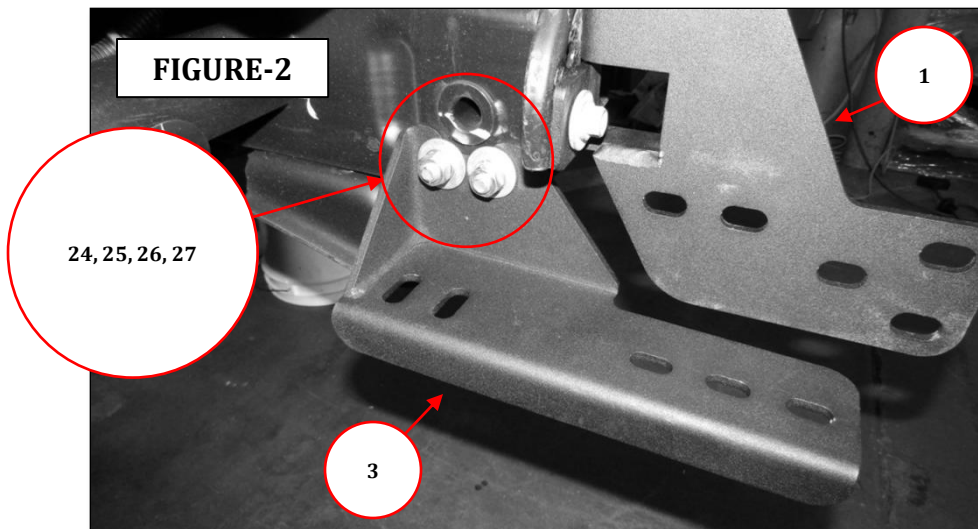
## INSTALLATION INSTRUCTIONS

### BR5 Bumper Installation

**Step-1** Position the bumper replacement driver side frame bracket up to the end of the frame, align the holes in the frame bracket with the OEM bumper bracket attachment holes in the frame and secure the frame bracket to the frame using (3) of the OEM bumper bracket bolts, (FIGURE-1). Leave the bolts loose for final adjustment. Repeat to install the passenger side frame bracket.



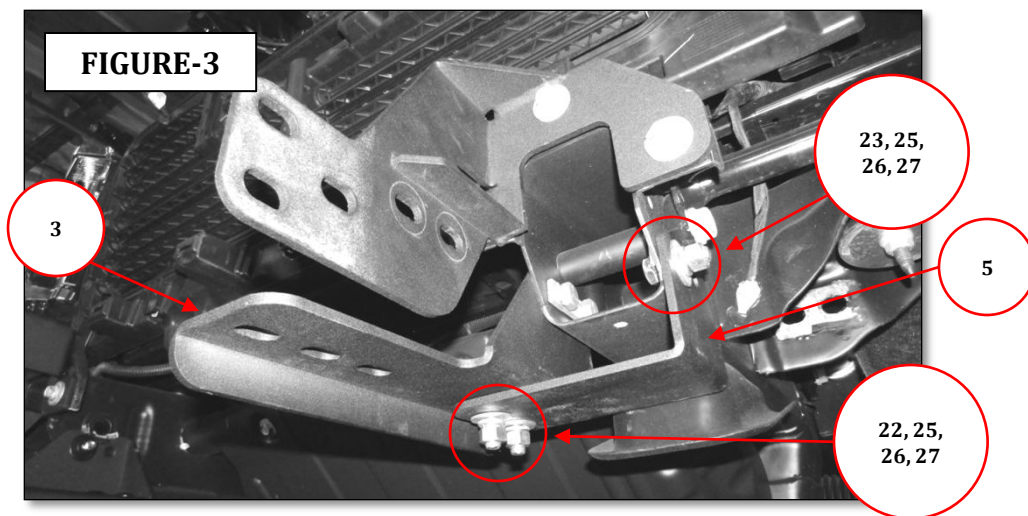
**Step-2** Install the driver side auxiliary bracket by positioning the bracket on the side of the frame, align the holes in the auxiliary bracket with the tow hook bolt holes and secure the auxiliary bracket to the frame using (1) ½" double bolt plate, (2) ½" flat washers, (2) ½" lock washers and (2) ½" hex nuts, (FIGURE-2). Leave the nuts and double bolt plate loose for final adjustment. Repeat to install the passenger side auxiliary bracket. **Note:** Use the ½" bolt plate for attachment of the passenger side auxiliary bracket to the frame.





## INSTALLATION INSTRUCTIONS

**Step-3** Install the driver side auxiliary bracket support by positioning the bracket on the side of the frame, align the hole in the support bracket with the tow hook bolt hole and secure the auxiliary bracket to the frame using (1) ½" bolt plate, (1) ½" flat washer, (1) ½" lock washer and (1) ½" hex nut. Attach the opposite end of the driver side auxiliary bracket support to the bottom of the auxiliary bracket using (2) ½" x 1 ½" carriage bolts, (2) ½" flat washers, (2) ½" lock washers and (2) ½" hex nuts, (FIGURE-3). Leave the nut and bolt plate loose for final adjustment. Repeat to install the passenger side auxiliary bracket support. **Note:** Use the double bolt plate for attachment of the passenger side auxiliary bracket support to the frame.



**Step-4** Position the winch tray on top of the auxiliary brackets. Align the holes and secure the winch tray to each frame bracket using (2) ½" x 1 ½" hex bolts, (2) ½" flat washers, (2) ½" lock washers, and to each auxiliary bracket using (3) ½" x 1 ½" carriage bolts, (3) ½" flat washers, (3) ½" lock washers and (3) ½" hex nut, (FIGURE-4). Leave the nuts and bolts loose for final adjustment.



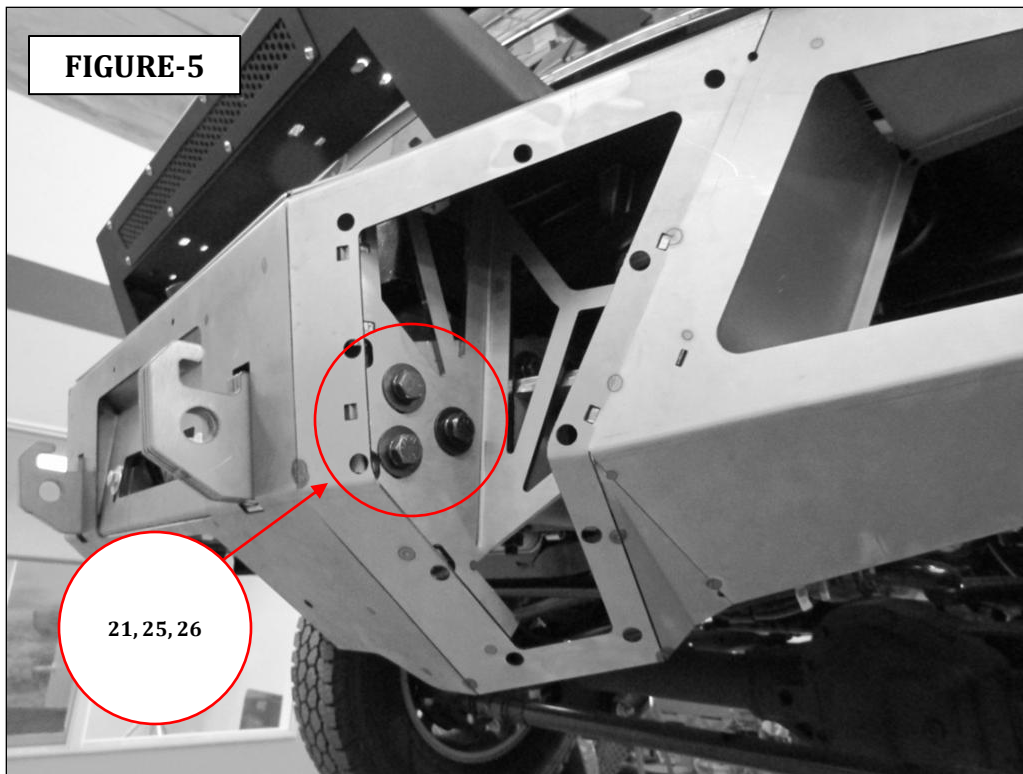


## INSTALLATION INSTRUCTIONS

**Note:** If you are installing a winch, place the winch in the winch tray and refer to the winch manufacturer's instructions for installation. Do not install the fairlead at this time.

**Step-5** The pre-installed Mesh Vent Covers need to be removed using hand tools to slowly remove the bolts. Using an air assisted impact or ratchet will damage the bolt threads and Rubber Rivet-Nut assembly in the bumper shell.

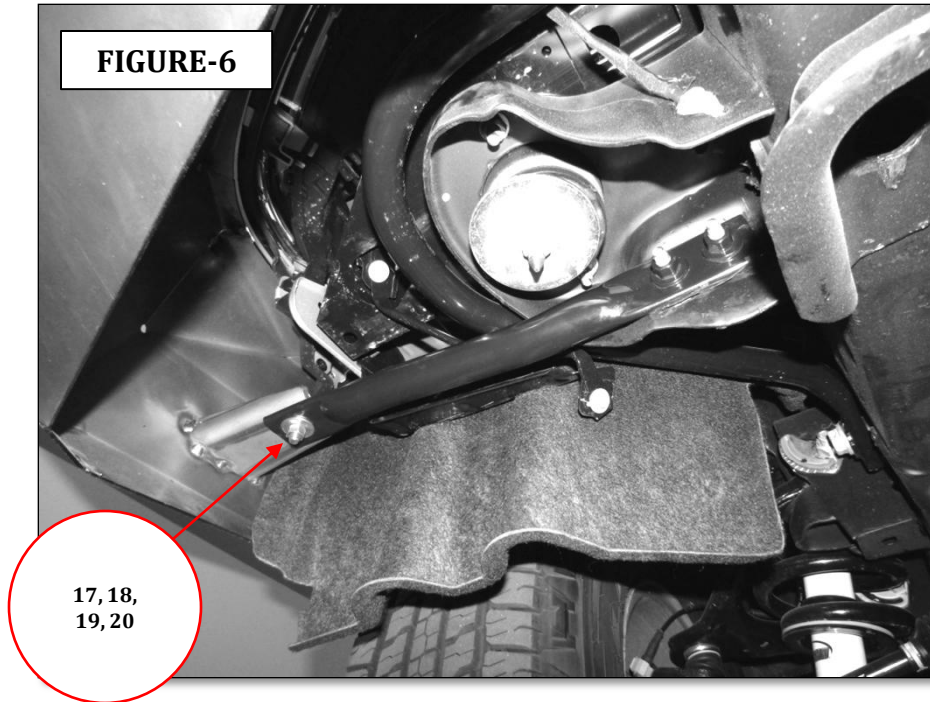
**Step-6** With assistance lift the bumper shell up to the vehicle, align the holes in the bumper shell brackets with the holes in the frame brackets, and weld nuts on the winch tray. Secure the bumper shell bracket to each side of the winch tray using (3)  $\frac{1}{2}$ " x 1  $\frac{1}{2}$ " hex bolts, (3)  $\frac{1}{2}$ " lock washers and (3)  $\frac{1}{2}$ " flat washers, (FIGURE-5). Leave the bolts loose for final adjustment.



# GO RHINO®

## INSTALLATION INSTRUCTIONS

**Step-7** Align the holes and attach each OEM bumper support bar to the bumper shell bracket using (1) 3/8" x 1" hex bolt, (1) 3/8" flat washer, (1) 3/8" lock washer and (1) 3/8" hex nut, (FIGURE-6).



**Step-8** With assistance, adjust and hold the bumper shell visual alignment position, then tighten all factory and supplied nuts and bolts securing the brackets, winch tray and bumper shell.

**Step-9** If installing a winch, install the roller fairlead to the bumper shell at this time. Refer to the winch manufacturer's instructions for installation. If installing an BR bumper replacement optional light bar, install the light bar to the bumper replacement at this time. Refer to the light bar instructions for installation.

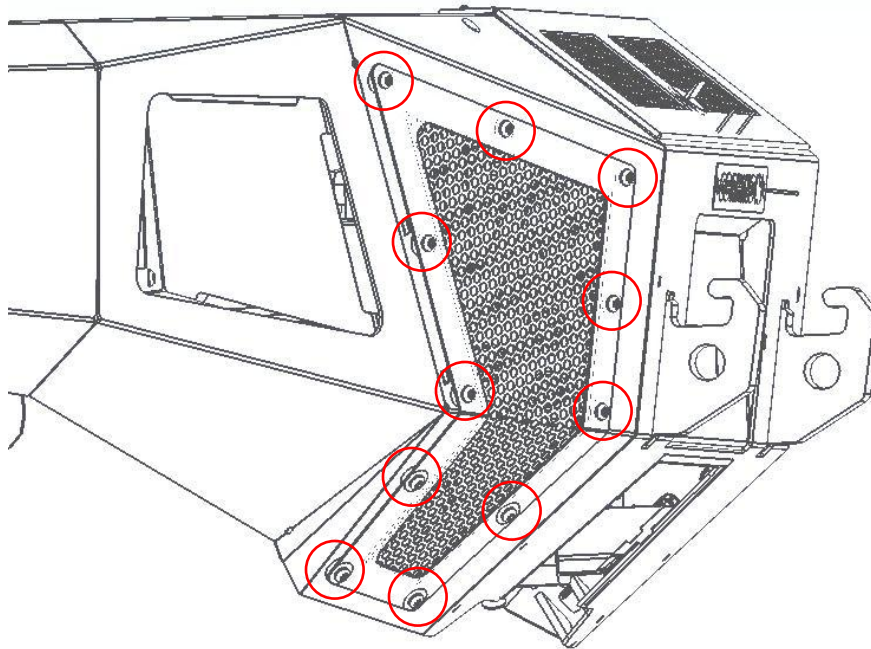


# GO RHINO®

## INSTALLATION INSTRUCTIONS

**Step-10** Re-install the passenger and driver side front vent covers to the bumper shell using the ¼" x 1" button head bolts, ¼" plastic flat washers and ¼" rubber rivet-nuts removed in step 5, (FIGURE-8).

FIGURE-8



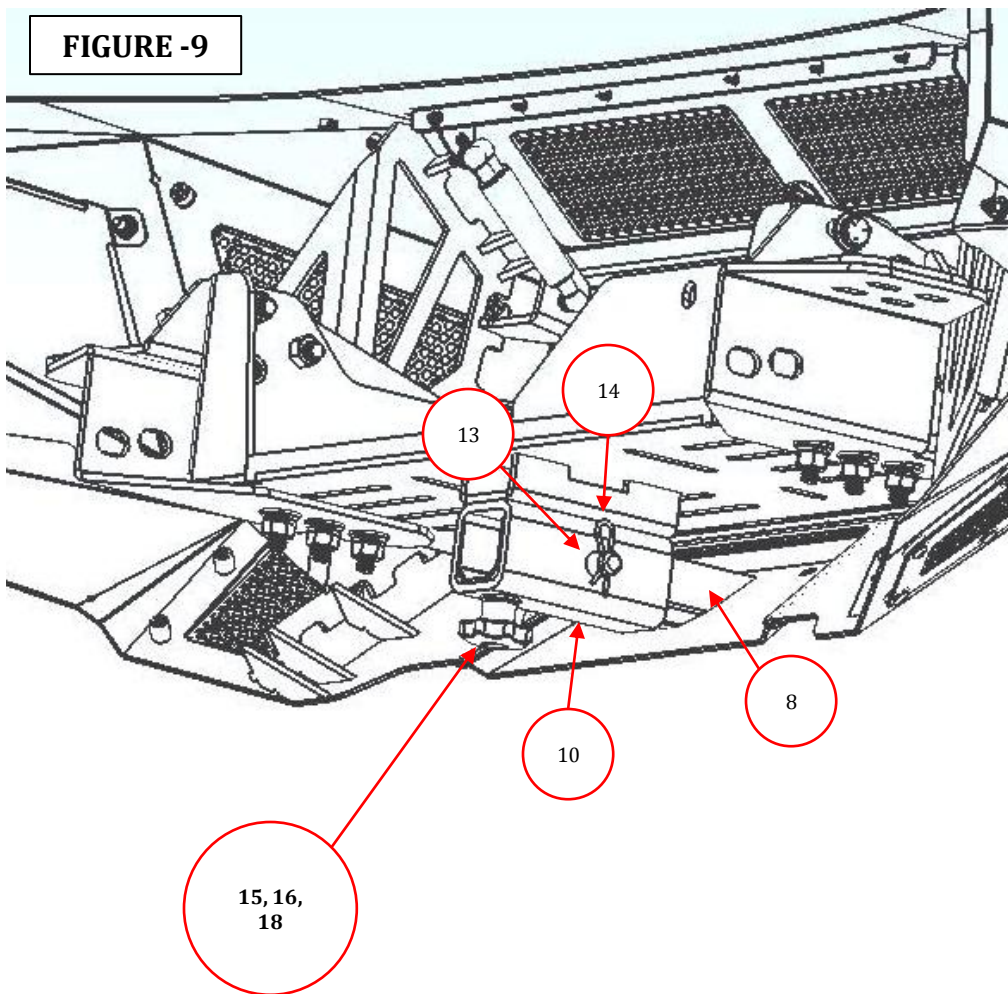


## INSTALLATION INSTRUCTIONS

**Step-11** Insert the hitch cover bracket into the winch tray receiver tube, (FIGURE-9).

**Step-12** Align and push the hitch pin through the holes in the winch tray receiver tube and hitch cover bracket, and secure the hitch pin with the hairpin cotter pin, (FIGURE-9).

**Step-13** Assemble the threaded rod, 3/8" flat washer and knob. Position the threaded rod through the hole in the winch tray receiver tube, screw the rod into the hitch cover bracket then tighten, the knob (FIGURE-9).

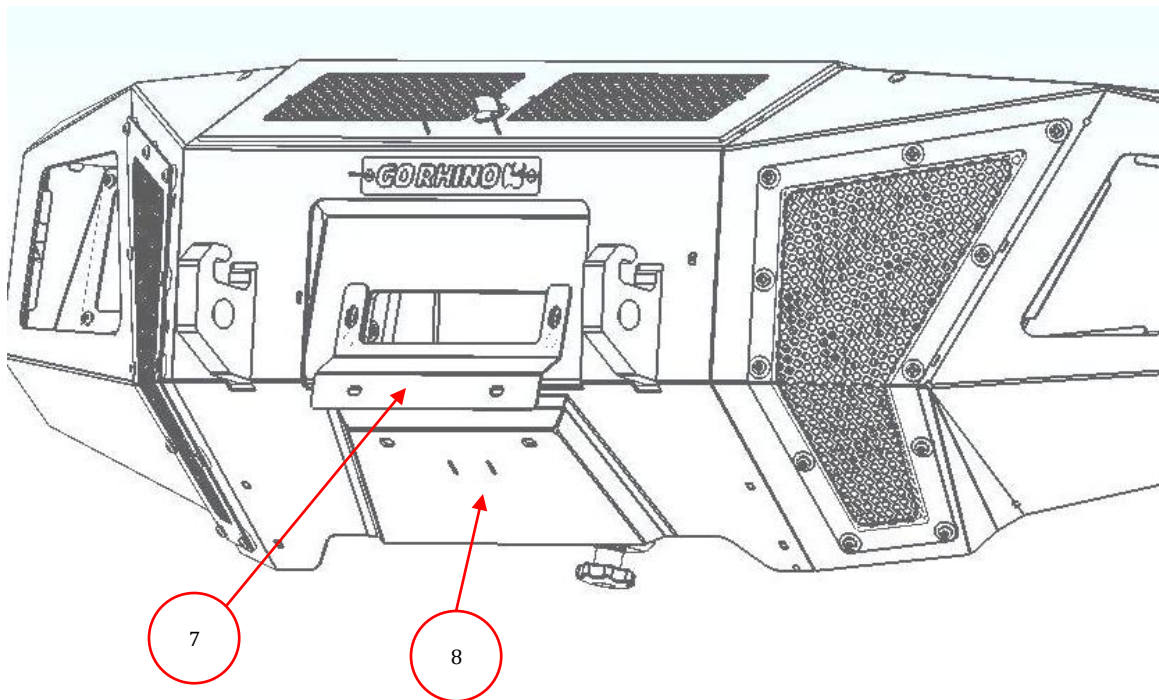


# GORRHINO®

## INSTALLATION INSTRUCTIONS

**Step-14** If your state law requires a front license plate, attach the license plate bracket to the holes in the face of the bumper shell, using the supplied 3/8" bolts, washers and nuts. If installing a winch, attach the license plate directly to the holes in the hitch cover, (FIGURE-10).

FIGURE-10



Remember to check and retighten all factory and supplied nuts and bolts periodically.



# INSTALLATION INSTRUCTIONS

## LIMITED WARRANTY

Go Rhino warrants to Buyer that for a period of five (5) years from the date of shipment of the product(s) ("Warranty Period") for black finishes and chrome finishes, that such products will materially conform to the specifications set forth in Go Rhino's specifications in effect as of the date of shipment(s) and will be free from material defects in material workmanship.

Go Rhino warrants to Buyer that for the life of the product(s) from the date of shipment of the product(s) ("Warranty Period") for polished stainless steel finished products purchased after April 2004, that such products will materially conform to the specifications set forth in Go Rhino's specifications in effect as of the date of shipments and will be free from material defects in material workmanship.

Warranty claims must be accompanied with the original invoice and photos of the product. It is the customer's responsibility to clean regularly and protect finish with regular applications of a nonabrasive polish that is compatible with the product's finish.

This warranty covers the cost of the product only and does not include the cost of removal, installation, third party modifications or shipping of the product. In no event shall Go Rhino be liable to buyer or any third party for any damage or harm caused by the product or use thereof, regardless of weather such damages were foreseeable and whether or not Go Rhino has been advised of the possibility of such damages, not withstanding the failure of any agreed or other remedy of its essential purpose. This warranty is void if the product shows signs of alteration, misuse, mishandling, improper care, neglect, improper application and/or damage due to improper installation.

With respect to any such product(s) during the limited warranty period, Go Rhino shall, in its sole discretion, either: (i) provide a one-time repair or replacement of such products (or the defective part) or (ii) credit or refund the price of such products at the pro rata contract rate provided that, if Go Rhino so requests, Buyer shall, at Go Rhino's expense, return such product(s) to Go Rhino. The remedies shall be the Buyer's sole and exclusive remedy and Go Rhino's entire liability for any breach of the limited warrant(ies).

Go Rhino disclaims all other warranties except to the extent that any such warranty cannot be validly disclaimed under applicable law.

### **Finish Limited Warranty:**

Limited lifetime on stainless steel products (after April 2004)  
5 year warranty on black powder coat products  
5 year warranty on chrome products  
This warranty does not cover exposed welds

Finish warranty covers peeling, flaking, or cracking. Washing all finishes regularly with car wash soap and rinsing well with water is the best method for maintaining the finish on your products. You must also protect the finish with nonabrasive automotive wax on a regular basis. The use of any compound which contains abrasives becomes a self-defeating exercise as the compound scratches the finish and opens it to corrosion. The use of harsh chemicals used to remove bugs and tar may also cause the finish to fail and should be avoided.

If you are unsatisfied with your purchase please contact the establishment you purchased the product from.

If you need to place a warranty claim or need assistance, the Go Rhino customer service team will answer any questions you may have. Please contact the Go Rhino customer service team at 1-888-427-4466 during normal business hours Monday thru Friday 7 am to 5 pm PST. You may also email [warranty@gorhino.com](mailto:warranty@gorhino.com). In order to better serve you please provide a copy of the original invoice / receipt, a photo of the issue you are experiencing and a photo of the vehicle the product is installed on.

All warranty returns must have an approved RGA number. The RGA number must be clearly marked on the exterior of the return package. All approved warranty returns must be shipped to Go Rhino Products, 1002 Carriers Drive, Laredo, Texas 78045.

## PRODUCT REGISTRATION

Please remember to register your new purchase. You may register your product at [www.gorhino.com](http://www.gorhino.com). Registering your product may help speed any future warranty or customer service inquiries.

**Thank you again for purchasing from Go Rhino Products**

Please take a few minutes to view additional products for your vehicle and more at GORHINO.com  
These installation instructions are available on the Go Rhino web site along with installation videos for many of our products.

[www.gorhino.com](http://www.gorhino.com)

[www.bigcountryauto.com](http://www.bigcountryauto.com)

[www.gorhinopd.com](http://www.gorhinopd.com)