



INSTALLATION INSTRUCTIONS

MID-FRAME BUMPER

Part Number: 95600

Application: 2015 Ram 1500

GENERAL SAFETY PRECAUTIONS

Your safety, and the safety of others, is very important. To help you make informed decisions about safety, we have provided installation and operating instructions and other information on labels and in this guide. This information alerts you to potential hazards that could hurt you or others. It is not possible to warn you about all potential hazards associated with this product, you must use your own good judgment.

CARELESS INSTALLATION AND OPERATION CAN RESULT IN SERIOUS INJURY OR EQUIPMENT DAMAGE. READ AND UNDERSTAND ALL SAFETY PRECAUTIONS AND OPERATING INSTRUCTIONS BEFORE INSTALLING AND OPERATING THIS PRODUCT.

This guide identifies potential hazards and has important safety messages that help you and others avoid personal injury or death. WARNING and CAUTION are signal words that identify the level of hazard. These signal words mean:

▲WARNING signals a hazard that could cause serious injury or death, if you do not follow recommendations. ▲CAUTION signals a hazard that may cause minor to moderate injury, if you do not follow recommendations.

This guide uses NOTICE to call attention to important mechanical information, and Note: to emphasize general information worthy of special attention.

▲ WARNING

IMPACT AND MOVING PARTS ENTANGLEMENT HAZARD

Failure to observe these instructions could lead to severe injury or death

- **Always** take time to fully read the Instructions and/or Operations Guide, and/or Basic Guide to Winching Techniques, in order to understand your winch and its operations.
- **Always** use extreme caution when drilling on any vehicle. Make sure that all fuel lines, brake lines, electrical wires, and other objects are not punctured or damaged when/if drilling on the vehicle. Thoroughly inspect the area to be drilled (on both sides of material) prior to drilling, and relocate any objects that may be damaged. Failure to inspect the area to be drilled may result in vehicle damage, electrical shock, fire or personal injury.
- **Always** wear safety glasses when installing this kit. A drilling operation will cause flying metal chips. Flying chips can cause eye injury.
- **Always** use extreme caution when cutting and trimming during fitting.
- **Always** remove jewelry and wear eye protection.
- **Never** lean over battery while making connections.
- **Never** route electrical cables:
 - o Across any sharp edges.
 - o Through or near moving parts.
 - o Near parts that become hot.
- **Always** insulate and protect all exposed wiring and electrical terminals.
- **Always** install terminal boots as directed in installation instructions.
- **Always** use appropriate and adequate care in lifting components into place.
- **Always** insure components will remain secure during installation and operation.
- **Always** tighten all nuts and bolts securely, per the installation instructions.
- **Always** perform regular inspections and maintenance on the plow mechanism, fasteners, cable and related hardware.
- **Always** replace all worn or damaged parts before operating.
- **Never** operate this WARN product with damaged or missing parts.

Read installation and operating instructions thoroughly.

WARN INDUSTRIES, INC. 12900 S.E. Capps Road,
Clackamas, OR USA 97015-8903, 1-503-722-1200, FAX: 1-503-722-3000
Customer Service: 1-800-543-9276
Dealer Locator Service: 1-800-910-1122
International Fax: 1-503-722-3005

⚠ CAUTION

MOVING PARTS ENTANGLEMENT HAZARD

Failure to observe these instructions could lead to minor or moderate injury

- **Always** take time to fully read and understand the installation and Operations Guide included with this product.
- **Never** operate this product if you are under 16 years of age.
- **Never** operate this product when under the influence of drugs, alcohol or medications.

Read installation and operating instructions thoroughly.

NOTICE

EQUIPMENT DAMAGE

- **Always** refer to the Installation and Specification Guide, supplied in the winch kit, for all wiring schematics and specific details on how to wire this WARN product to your vehicle.

Read installation and operating instructions thoroughly.

BEFORE YOU BEGIN

NOTICE



This product may interfere with driver assist systems such as adaptive cruise control and parking assist systems that have sensors or cameras installed in the bumpers or front grill area. If your vehicle is equipped with any of these systems or features, consult your vehicle owner's manual before installing this product. These systems may need to be disabled as a result of installing this product.

TABLE OF CONTENTS

Tools Required.....	page 2
Torque Specifications.....	page 2
Parts List.....	page 3
Installation.....	page 4-8
Maintenance/Care.....	page 8

TOOLS REQUIRED

- Standard wrenches
- Standard sockets

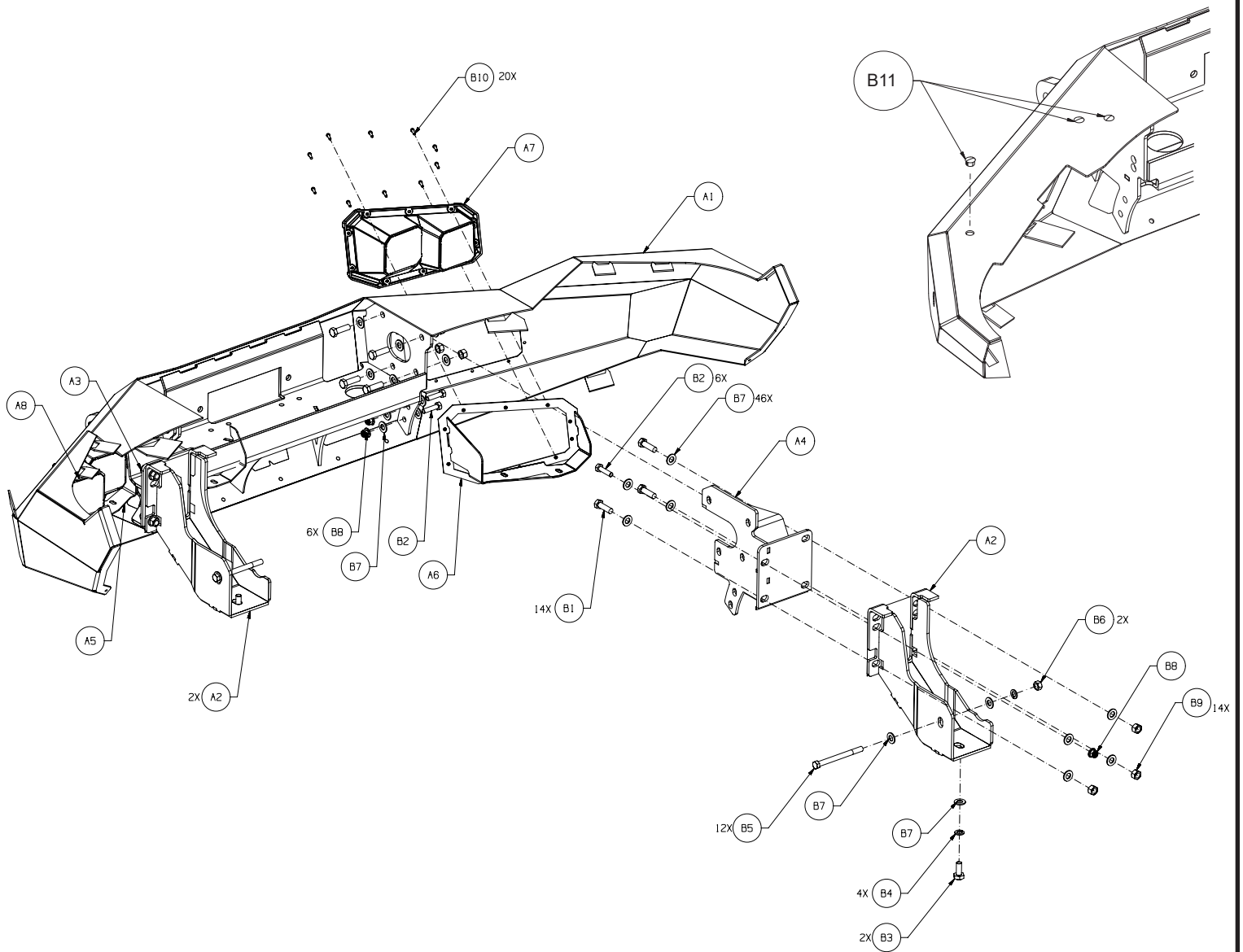
TORQUE SPECIFICATIONS

Please use the recommended torque specifications when assembling this product unless otherwise specified in the instructions.

FASTENER SIZE	FASTENER TORQUE		FASTENER SIZE	FASTENER TORQUE	
	lb-ft	(N.m)		lb-ft	(N.m)
1/4"	8	(11)	M4	(2)	3
5/16"	17	(23)	M5	(4.5)	6
3/8"	30	(40)	M6	(7.5)	10
7/16"	48	(66)	M8	(18)	25
1/2"	74	(100)	M10	(37)	50
9/16"	106	(144)			
5/8"	148	(200)			
3/4"	269	(364)			

PARTS LIST

ITEM	PART NO.	DESCRIPTION	QTY	ITEM	PART NO.	DESCRIPTION	QTY
A1	95656	BUMPER	1	B1	25552	M12 X 1.75 HEX CAPSCREW	14
A2	95603	BOTTOM BRACKET	2	B2	79924	M10 X 1.5 X 40 FLANGE HEAD	6
A3	95643	LH BUMPER MNT BRACKET	1	B3	81269	M12-1.50 X 30MM HX HD CAPSCREW	2
A4	95648	RH BUMPER MNT BRACKET	1	B4	83038	12MM LOCK WASHER	4
A5	95438	LH LIGHT BRACKET	1	B5	31808	7/16 X 5" CAPSCREW	2
A6	95458	RH LIGHT BRACKET	1	B6	2583	7/16 NUT	2
A7	94888	RH LIGHT BEZEL	1	B7	93106	M12 FLAT WASHER	46
A8	94889	LH LIGHT BEZEL	1	B8	87232	M10 X 1.5 LOCK NUT	6
				B9	70117	M12 X 1.75 LOCK NUT	14
				B10	91541	10-24X1.25 SOCKET HD CAPSCREW	20
				B11	100661	9/16 LOCKING PLUG	6
				B12	96546	SENSOR HOLE PLUG (Shown on pg. 8)	6



INSTALLATION INSTRUCTIONS



Figure 1

1. From underneath the vehicle, remove the three bumper mounting flange nuts.
2. Remove tow hook by removing the large front bolt on frame tower and the two lower nuts.
3. Repeat all for other side.

CAUTION

- **Always** use assistance when moving or lifting heavy parts.

4. With assistance, remove bumper completely.
5. Remove screws holding plastic bumper cover in place.

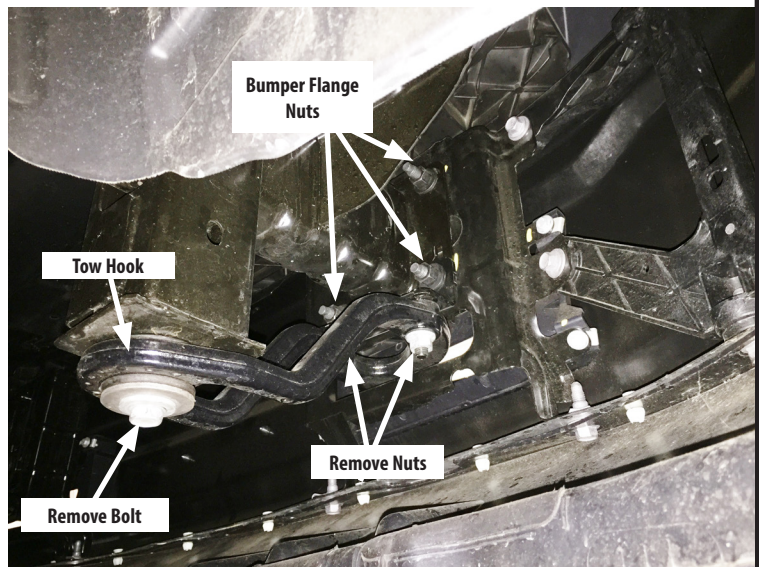


Figure 2

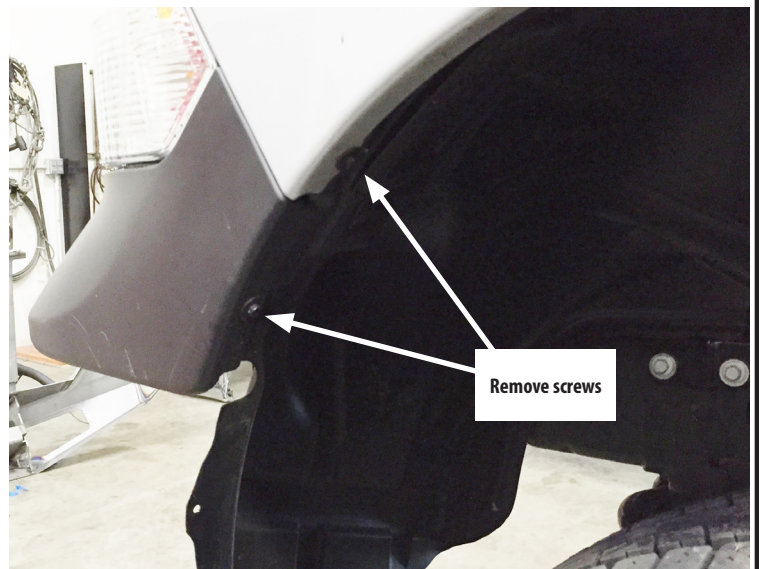


Figure 3

INSTALLATION INSTRUCTIONS

6. Gently pull back inner fender well. Remove screw to release plastic bumper cover from fender.
7. Repeat steps 5 and 6 for other side.
8. Remove plastic bumper cover from vehicle.

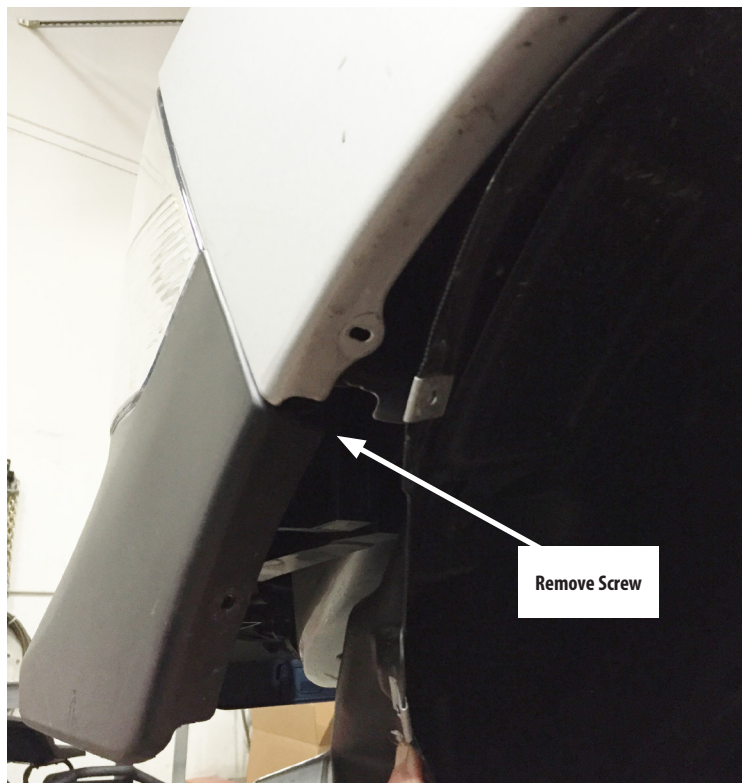


Figure 4

9. Remove front center plastic piece.
 - a) Remove the two screws (each side).
 - b) Pry the four christmas tree clips from plastic flap on underside of center plastic.
 - c) Depress push tabs (3 places) to finally release plastic piece.

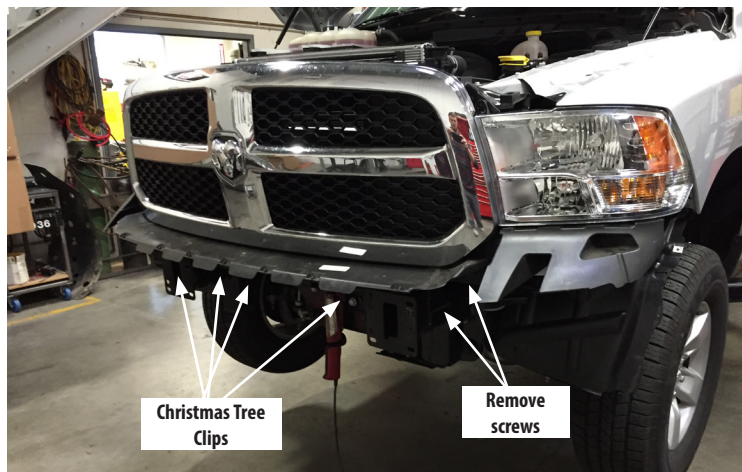


Figure 5

10. Remove remaining corner plastic pieces by removing the three screws (each side).



Figure 6

11. Install lower bumper bracket (A2) to frame tower, using B3, B4, B5, B6 and B7 hardware. Refer to exploded view on page 3.

12. Repeat for other side.

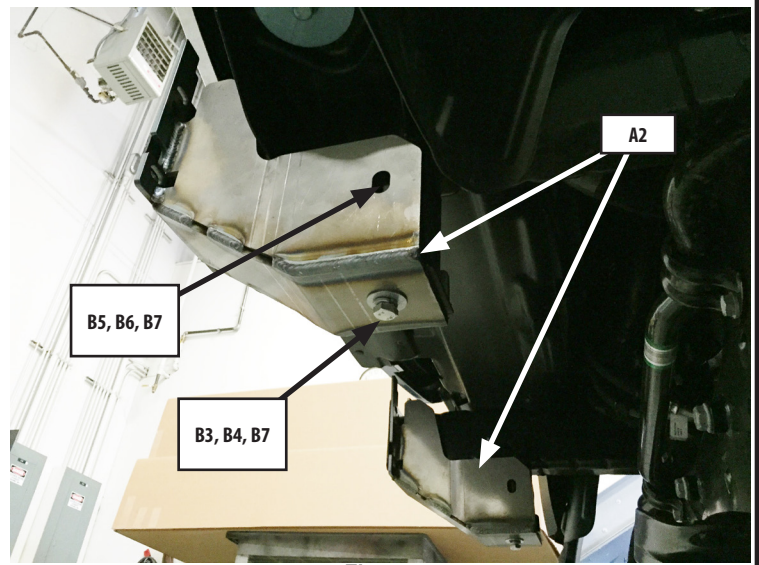


Figure 7

13. Install bumper mount bracket (A4) to vehicle bumper mounting frame flange and lower bumper bracket, using B1, B2, B7, B8 and B9 hardware. Refer to exploded view on page 3.

14. Hand tighten only at this time.

15. Repeat for other side.



Figure 8

16. Adjust the bumper mount brackets (A4) between 28 3/4" to 29" apart. This allows for easier installment of bumper.



Figure 9

INSTALLATION INSTRUCTIONS

17. With assistance, position bumper (A1) in place. Fasten using, B1, B7, B8 and B9 hardware (each side).

CAUTION

- Always use assistance when moving or lifting heavy parts.

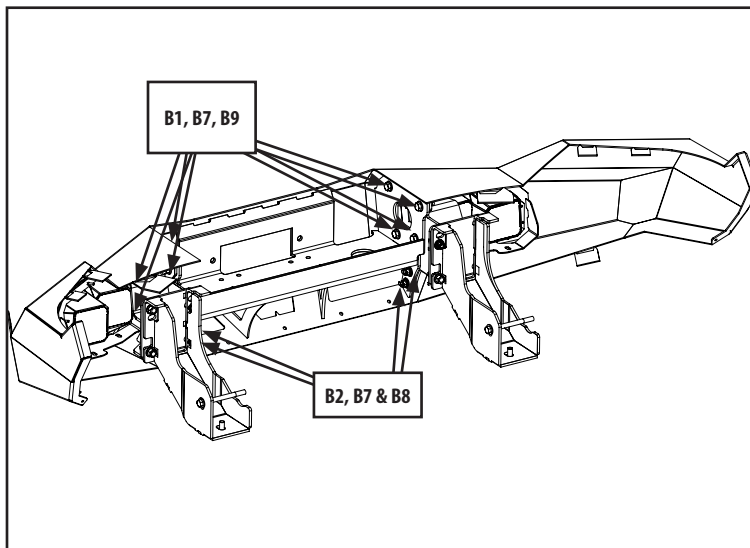


Figure 10

18. Mark inner fender well with tape. Carefully trim the excess off the inner fender well.

OPTIONAL: You may also want to trim air scoop.

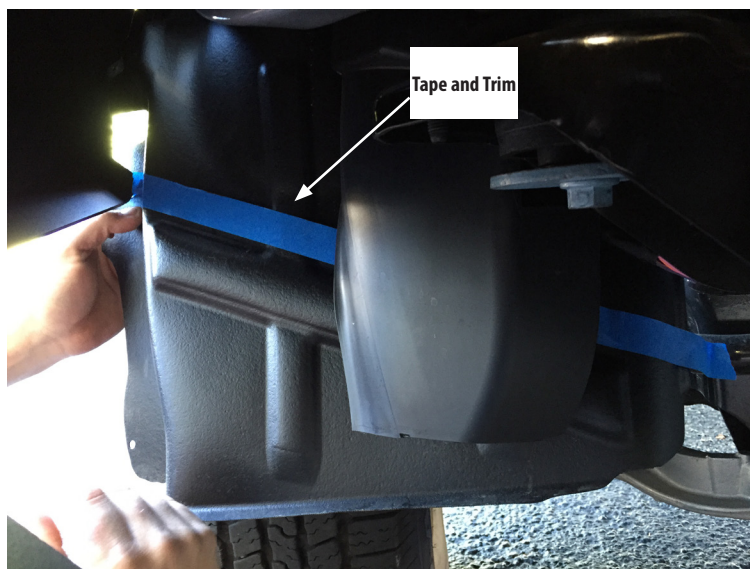


Figure 11

19. While holding light bracket (A6) in place (from under and behind bumper), line up light bezel (A7) through front bumper light port to bracket. Secure pieces together with ten stainless steel socket head screws (B10). Review exploded view on page 3.

20. Repeat for other side.

NOTE: Light bezels are equipped with removable panels for lights. Lights show installed sold separately.

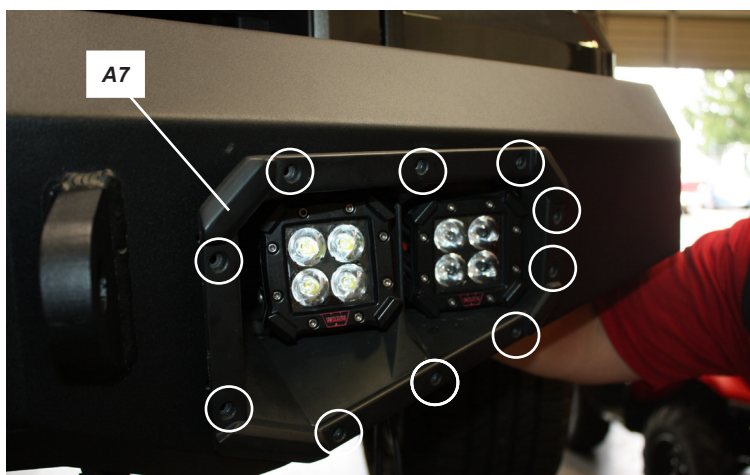


Figure 12

INSTALLATION INSTRUCTIONS

21. If equipped, remove bumper support backing plate off stock bumper to expose park sensor harness, sensors and sensor carriage.
22. Remove park sensor harness.
23. Remove sensors from sensor carriage.
24. Remove the carriage from stock bumper.
25. Install sensor carriage into new Warn bumper in the same orientation as it was removed from stock bumper.

NOTE: *If vehicle is not equipped with sensors, use provided sensor hole plug to install in new Warn bumper.*

26. Install sensor into carriage and park sensor harness into new Warn bumper.

NOTE: *You may have to lengthen your harness in some applications.*

27. If not installing optional Ascent bar accessories, plug unused holes with provided hole plugs (B11). Refer to exploded view on page 3.
28. Your installation is now complete.

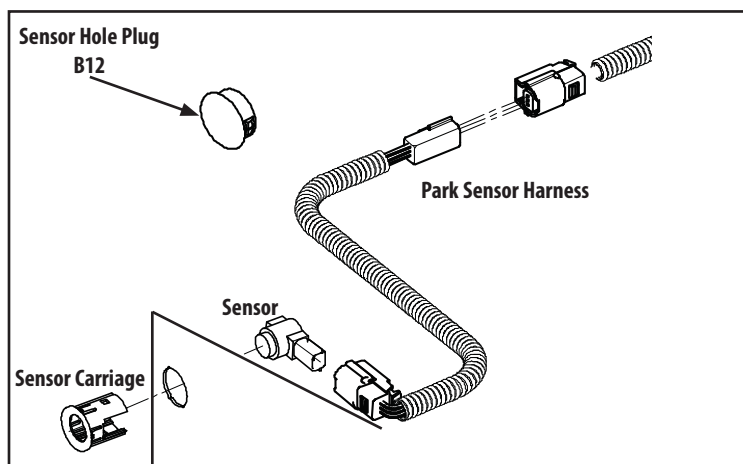


Figure 13



Figure 14

MAINTENANCE / CARE

1. Inspect all parts on the winch, winch mount, and related hardware prior to each use. Replace all hardware that appears rusted or deformed.
2. Inspect all nuts and bolts on the winch, winch mount,, and related hardware prior to each use. Tighten all nuts that appear to be loose. Stripped, fractured, or bent bolts or nuts need to be replaced.
3. Check all cables prior to use. Replace cables that look worn or frayed.
4. Check all moving or rotating parts. Remove debris that may inhibit the part from moving freely.

CARELESS INSTALLATION AND OPERATION CAN RESULT IN SERIOUS INJURY OR EQUIPMENT DAMAGE. READ AND UNDERSTAND ALL SAFETY PRECAUTIONS AND OPERATING INSTRUCTIONS BEFORE INSTALLING AND OPERATING THIS PRODUCT.

