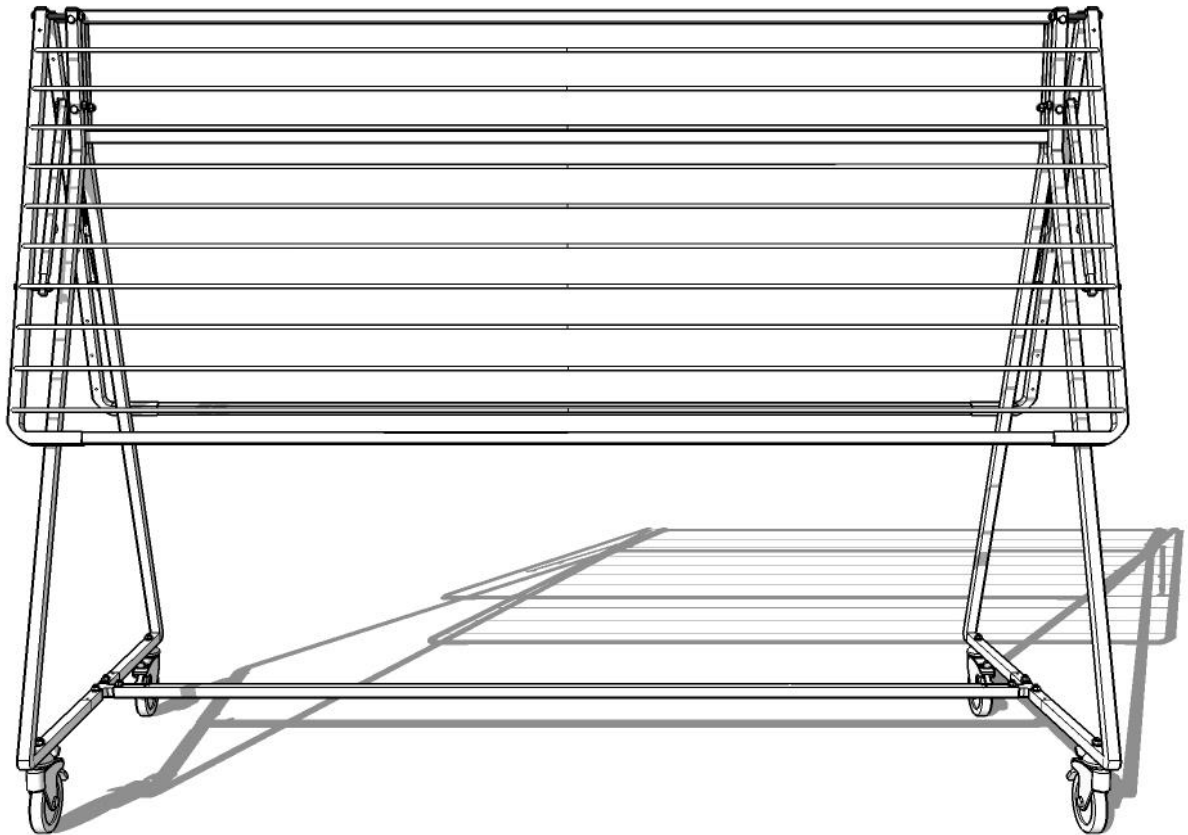




www.skydryclotheslines.com.au

Sunchaser Clothesline

Assembly instructions





Sky Dry Clotheslines

Thank you for purchase of our *Sunchaser* clothesline. We wish that this clothesline fulfils your laundry needs and continues to remain of benefit to you and your family.

In this manual will include a set of assembly instructions along with a user guide. Please thoroughly read through these to acquaint yourself before starting the assembly and use of the clothesline. For any further questions or concerns, please contact us with the provided contact information.

Contact: info@skydry.com.au

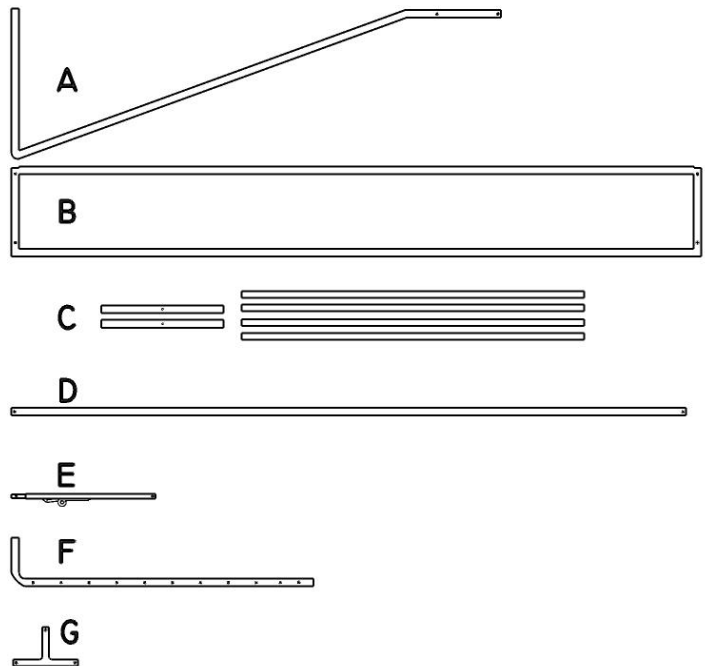
Assembly instructions

Step 1:

Open packaging and check off contents

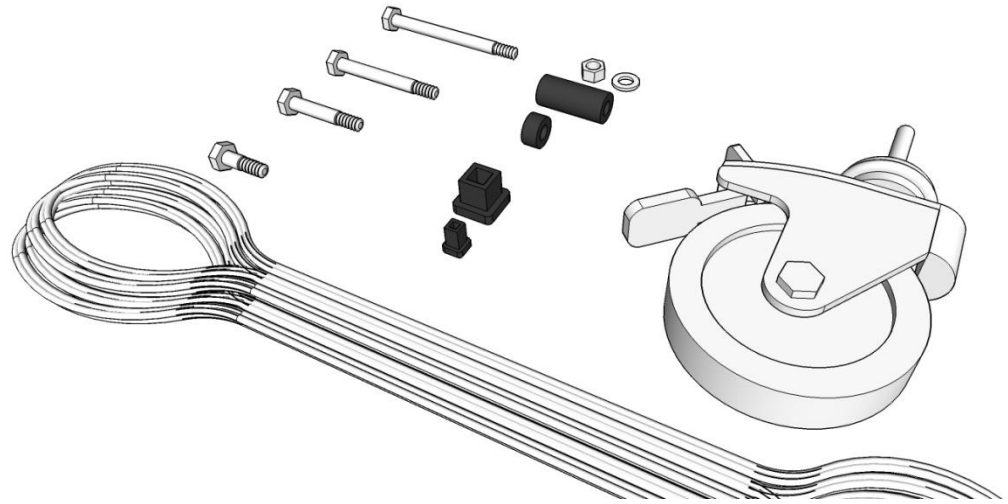
Assembly Parts:

- A. 4 x Outer Frames
- B. 1 x 2260mm Centre Frame
- C. 4 x 1122 Spreaders and 2 x Small Joiners
- D. 1 x 2210mm Bottom Rail
- E. 4 x Struts
- F. 4 x 900 Arms
- G. 2 x T-Bar Joiners



Accessory Kit:

- A. 4 x 110mm Bolts
- B. 4 x 85mm Bolts
- C. 8 x 60mm Bolts
- D. 6 x 35mm Bolts
- E. 22 x Nuts
- F. 6 x Washers
- G. 4 x 45mm Black Spacer
- H. 8 x 10mm Black Spacer
- I. 6 x 25mm Caps
- J. 4 x 12mm Caps
- K. 4 x Caster Wheels
- L. 2 x Cord Bundles



Soft surface recommended for assembly to avoid scratches

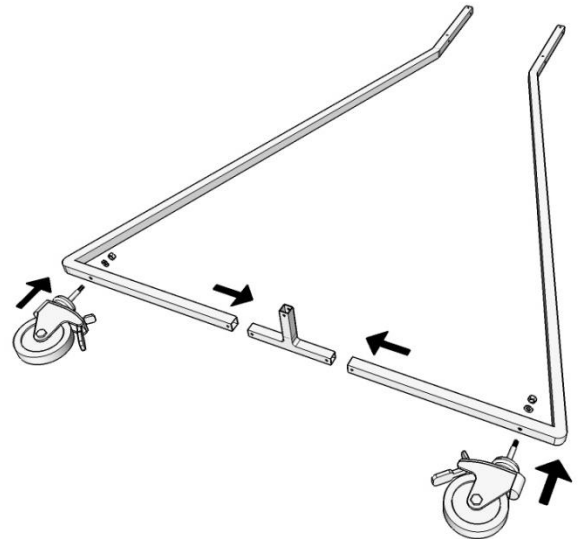
STEP 2:

Parts Required:

- 2 x T-bar joiners
- 4 x Outer frames
- 4 x Caster Locking Wheels
- 2 x 13mm Spanner

Soft surface recommended for assembly to avoid scratches.

Place 2 x outer frames on the ground with the T-Bar joiner in the centre. Insert the ends of the frame onto the T-bar with the remaining end facing upwards.



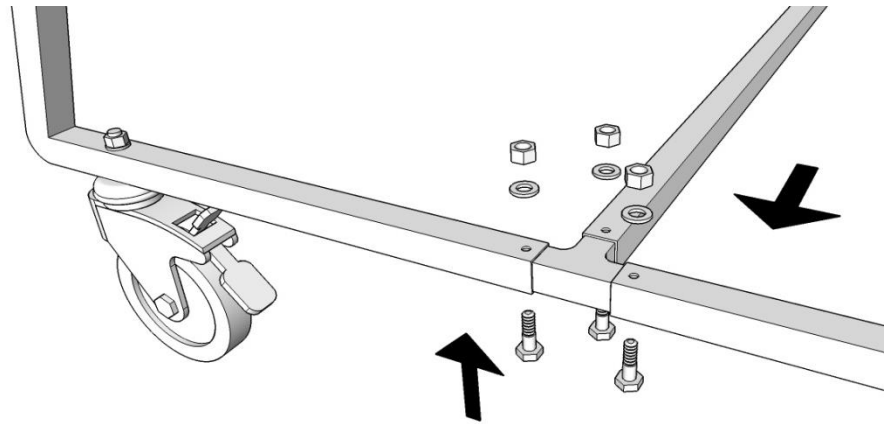
Lock the caster wheel by pressing down the brake lever. Remove the nut and washer from the caster wheel. Align the caster wheel bolt with the outer hole as seen in Figure 2 and push through. Return the washer and nut to the bolt and tighten using your 13mm spanner. Repeat this step with the remaining frames.

STEP 3:

Place the lower rail adjacent to the first outer frame. Ensuring the caster wheels are locked, lift the frame to a vertical position and insert the end of the rail into the remaining T-bar end.

Insert the 35mm bolts through the holes in the T-bar to secure the intersecting parts. Secure with the nuts and tighten using the 13mm spanners.

Repeat this process with the remaining outer frame. See Figure 3.

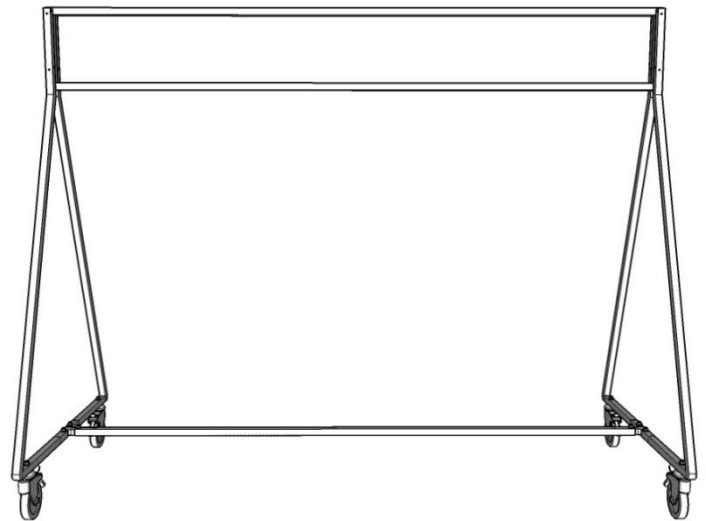


Step 4:

Parts Required:

- 4 x 85mm bolts
- 4 x nuts
- 1 x 2260mm centre frame

Position the centre frame so that the first hole is 40mm from the top, matching the holes on the outer frames. Place the 85mm bolt through the first outer frame, centre frame and then the remaining outer frame. Secure loosely with a nut. Repeat this process on the top hole on the opposite side. The centre frame should sit flush with the top of the outer frames. Once both top holes have been secured, fit the bottom bolt holes on both sides. Once all 4 bolts are secured, tighten with the 13mm spanners. See Figure 4.



STEP 5:

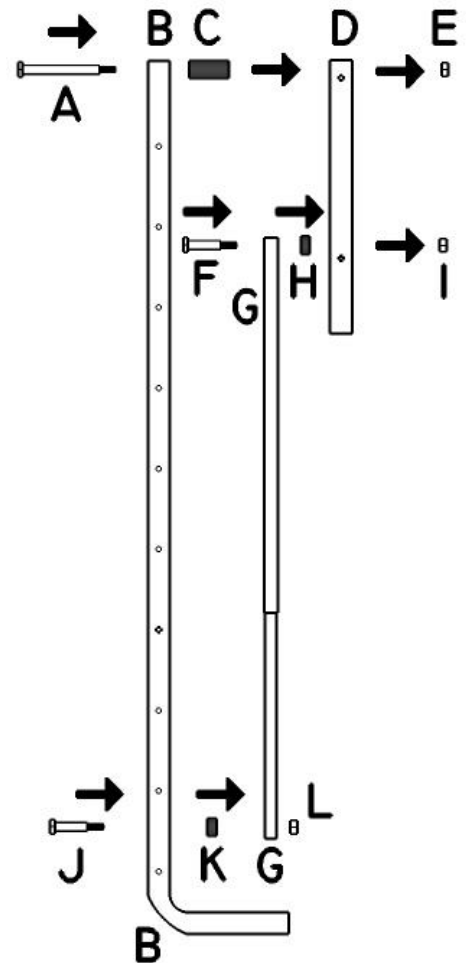
Parts Required:

- 4 x Arms - 4 x Struts
- 4 x 45mm Spacers - 8 x 10mm Spacers
- 4 x 110mm Bolts - 8 x 60mm Bolts
- 12 x Nuts - 2 x 13mm spanners (not supplied)

Working from the outside to the middle, thread the 110mm bolt (A) through the arm (B) followed by the 45mm spacer (C). Insert the bolt through the top hole on the outer frame (D) and finishing by locking with a nut (E).

Working from the outside to the middle, thread the 60mm bolt (F) through the top of the strut (G) followed by a 10mm spacer (H). Making sure to have the strut spring facing backwards, thread the bolt through the second hole on the outer frame (D) and finishing by locking with a nut (I).

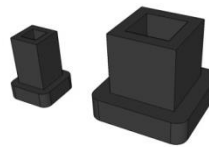
Working from the outside to the middle, thread the 60mm bolt (J) through the second hole in the arm (B) followed by the 10mm spacer (K). Insert the bolt through the hole at the bottom of the strut (G) and finish by locking with a nut (L). See Figure 5. Tighten all nuts once the arms section has been assembled. Repeat this process for all 4 arms.



Step 6:

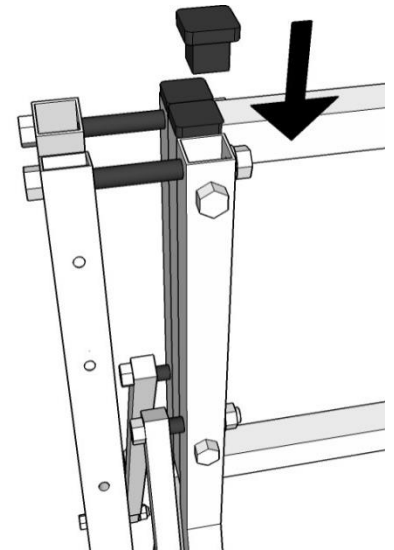
Parts Required:

- 6 x 25mm caps
- 4 x 12mm caps



Place a 12mm cap into the end of the silver section of the strut. Repeat this on each strut. See Figure 6.

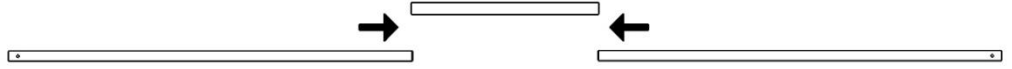
Insert the 6 x 25mm caps onto the 6 top openings of the outer frames and centre frame as seen in figure 7a and push into place. You may gently use a hammer or mallet to tap caps into place if needed.



Step 7: Assembling the front spreader bar

Parts required:

- 4 x Spreaders
- 2 x Joiners



Place the spreaders on the ground. Insert 2 x 1122 spreaders into each end of the joiner to make one long bar 2260 in length. Repeat to make 2 x 2260 spreaders.

Step 8:

Parts Required:

- 2 x Spreaders – 2260mm

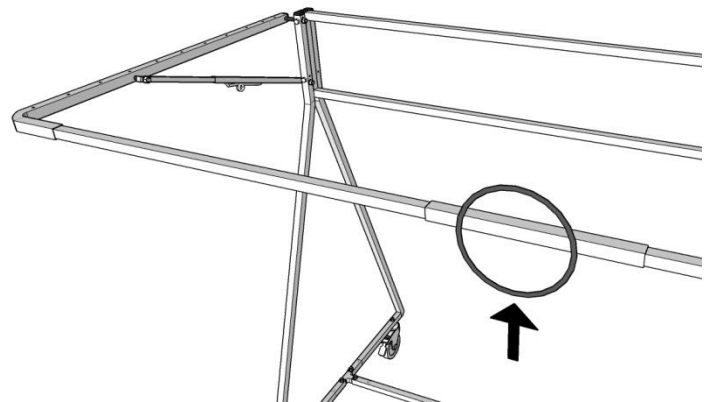
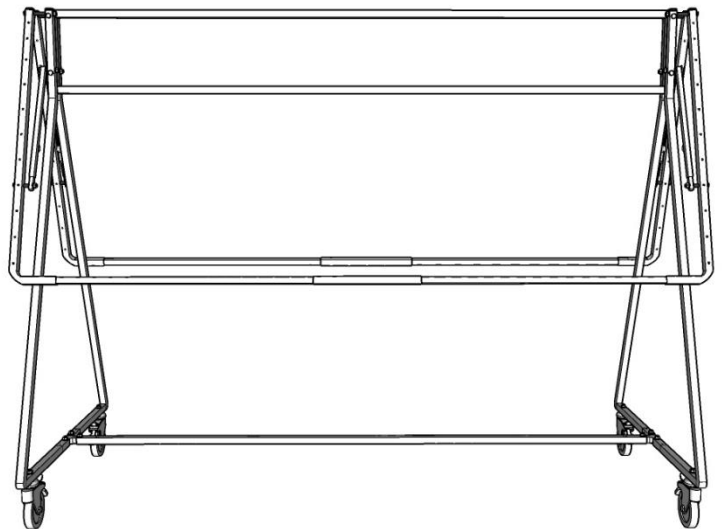
Insert each end of the spreader bar into the ends of the arms. Repeat this on the other side.

Once completed, lift using the **centre** of the bar until slightly past horizontal until you hear the struts both click to engage. Once engaged, gently place the bar back down and the frame will remain in place.

To disengage, lift the **centre** of the bar until you hear the struts click and disengage. Lower the bar gently back down.

Please note: To engage and disengage the strut mechanism correctly, lifting the spreader bar **MUST** be done from the **centre**. See Figure 8. Any uneven pressure will cause one strut to engage/release, not allowing the other to follow. If this happens, disengage the strut and lower to reset and start again from the centre.

Use of force past the click of strut engagement will cause the strut to fail and a replacement will be required at the cost of the consumer.



Step 9:

Parts Required:

- 2 x bundles of cord
- Scissors or wire cutters (not supplied)

Unravel the bundle of cord.

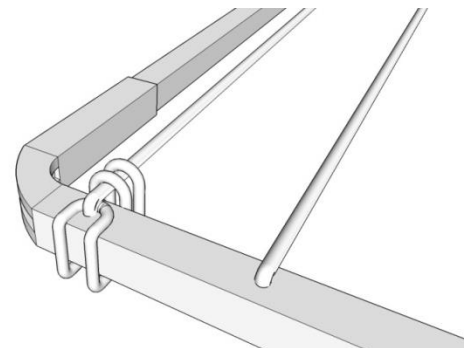
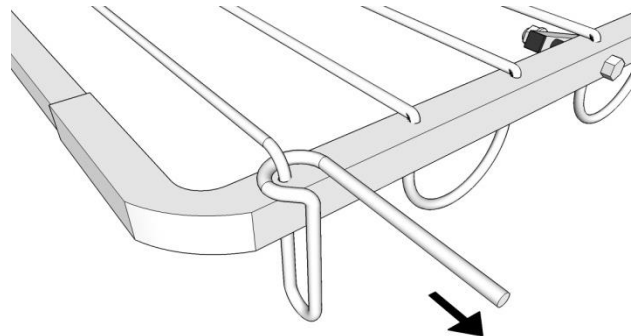
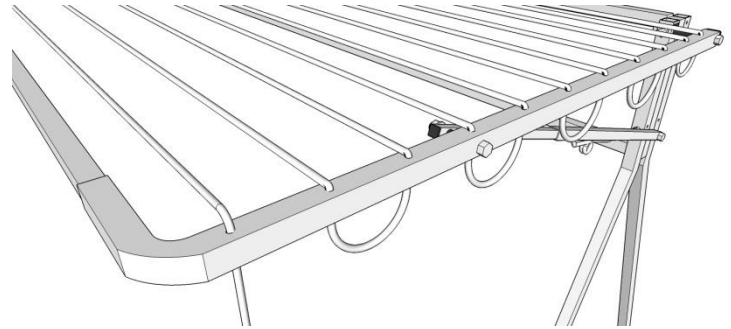
Take one end of the cord and thread the cord up through the first hole at the front of the arm. You may start from either side. Leave 300mm at the start for tying off on completion.

Bring the cord across to the opposite arm and thread it down the corresponding hole. Thread it back up the second hole next to it and bring the cord across to the opposite arm and down the second hole. See figure 8a. Repeat this process until all holes have been occupied leaving 300mm at the end for tying off on completion.

Once all holes have been threaded, bring each end of the cord around from the bottom of the frame, around to the outside of the frame. Place the cord under the previous line of cord and bring back to the outside of the frame to create an anchor tie off point. See figure 8b.

Starting from the front of the clothesline, place your hands in the centre of the first cord and pull downwards to remove slack out of the line.

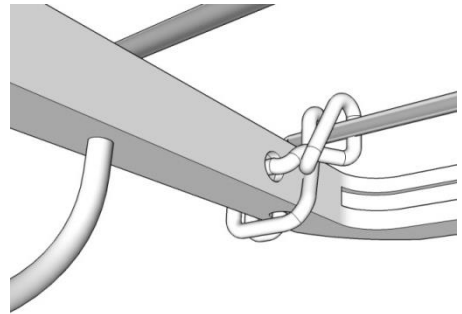
Repeat this process on every line of cord. When you have tightened the last cord, release the end anchor tie off point and re-tighten.



Repeat this process for further tensioning. Once you are happy with the tension of the cord, complete both anchor tie off points with 2 x half hitch knots.

Cut off the remaining cord using wire cutter/ scissors, leaving 100mm to be tucked into the inner arm hole.

Repeat for wiring the adjacent frame.





Warranty Limitations

Sky Dry Clotheslines provide no other warranties or depictions other than those already stated in this Warranty. The maximum limit of *Sky Dry Clotheslines* liability under this warranty, is product or part replacement.

Warning

- This clothesline is not to be used for swinging or climbing on
- This clothesline is only to be used for the intended purpose of air drying of laundry in line with the operating instructions.
- Discontinue use of the clothesline if any of the parts are damaged or worn.

- In the circumstance of high winds, the clothesline should be folded down and moved to an area of shelter or away from the winds

Warranty

Sky Dry Clotheslines complies completely with the Consumer Laws as prescribed by the *Competition and Consumer Act 2010*. A link to the Act on their website:

<https://www.accc.gov.au/about-us/australian-competition-consumer-commission/legislation>

No liability (whether expressed or implied) of any kind whatsoever, is accepted by *Sky Dry Clotheslines* for any consequential loss, damage, or injury arising as a result of any defect in the products, subject to the requirements of any applicable Act or legislation and to the extent permitted by law.

Our products are backed with guarantees that cannot be revoked under Australian consumer law. A major failure entitles you to a replacement or refund, as well as compensation for any foreseeable loss or damage. If the items fail to be of acceptable quality and the fault does not amount to a major failure, you have the right to have them repaired or replaced.

Warranty Definitions

1. *Sky Dry Clotheslines* (ABN 25 583 866 427)
2. Products manufactured by or on behalf of *Sky Dry Clotheslines* are referred to as products.
3. The term "warranty" refers to the length of time that *Sky Dry Clotheslines*' products are covered under its warranty. It commences on the day the item is purchased. Any replacement or repair of a product or part does not result in an extension of the original warranty period.
4. Workmanship is a term used to define the work done on or by *Sky Dry Clotheslines* in the areas of product manufacture, assembly, packing, and handling.

Warranty Duration

The following warranty is offered for the *Sky Dry Clotheslines* products. This warranty is in addition to that required by the *Competition and Consumer Act 2010*

1. 3 years from the date of purchase

Any part of the '*Steel frame*' that has failed due to corrosion will be repaired or replaced at our option. The components described as the '*steel frame*' is made up of square hollow steel parts.

2. 12 months from the date of purchase

Any component that fails because of faulty workmanship or defective materials will be repaired or replaced at our discretion.

This includes line wire and wheels

If the product is or has been used commercially, the complete unit is covered by a one-year warranty period.

Warranty Claims

Sky Dry Clotheslines advises that if the clothesline, or any component of it, fails due to a problem deriving from workmanship or a material fault at any time throughout the warranty period, we shall choose to repair or replace the part or product. In order for this to occur the following procedure must be followed:

1. When the consumer notices an issue or a flaw, they should contact *Sky Dry Clotheslines* immediately. In order to avoid further damage, the consumer should discontinue usage of the product.

When submitting your claim, we will require as a minimum the following information:

Name, address, contact number, email address, place of purchase, original proof of purchase (receipt), detailed description of the problem (photographs are very helpful)

Contact details are as follows:

- *Sky Dry Clotheslines*
- PO Box 571X Leumeah NSW 2560
- 0492 225 470
- info@skydry.com.au
- www.skydryclotheslines.com.au

2. Once we have received your claim it will be reviewed to determine whether it is a major or minor defect or fault

Sky Dry Clotheslines may be required to arrange for inspection of the item. Depending on the outcome of that review we will decide to either repair or replace the part or product.

3. The expense of filing a warranty claim must be covered by the buyer. The purchaser is liable for all transportation costs, as well as any damages or losses, incurred in transporting this appliance to and from the premises of *Sky Dry Clotheslines* or its authorised service agents.
4. Any part replacements due to approved warranty claims will be set to you free of charge (including delivery) with replacement instructions

Warranty Exclusions

Sky Dry Clotheslines should only be used for air drying laundry, and they should be utilised according to the operating instructions provided.

The warranty **excludes** the following:

- Damage during shipping or transportation
- Damage through regular wear and tear
- Damage caused through misuse or abuse
- Damage due to an incorrect installation
- Damage to overloading
- Damage due to the installation and use of non-genuine parts
- Damage due to abnormal or excessive weather conditions, e.g., storm damage, hail, fire, high winds, high humidity, excessive salt spray (coastal proximity – regular rinsing with fresh water may assist in prolonging components), chemical fallout
- Damage due to hiring out the unit to any person or persons