

# Contacts

We are committed to providing you with complete customer satisfaction.  
If you have any questions or comments about our products or services please  
contact your nearest Customer Service Centre during their local business hours:

Australia  
1300 327 293

New Zealand  
0800 021 027

Email  
[hills@amesau.com](mailto:hills@amesau.com)

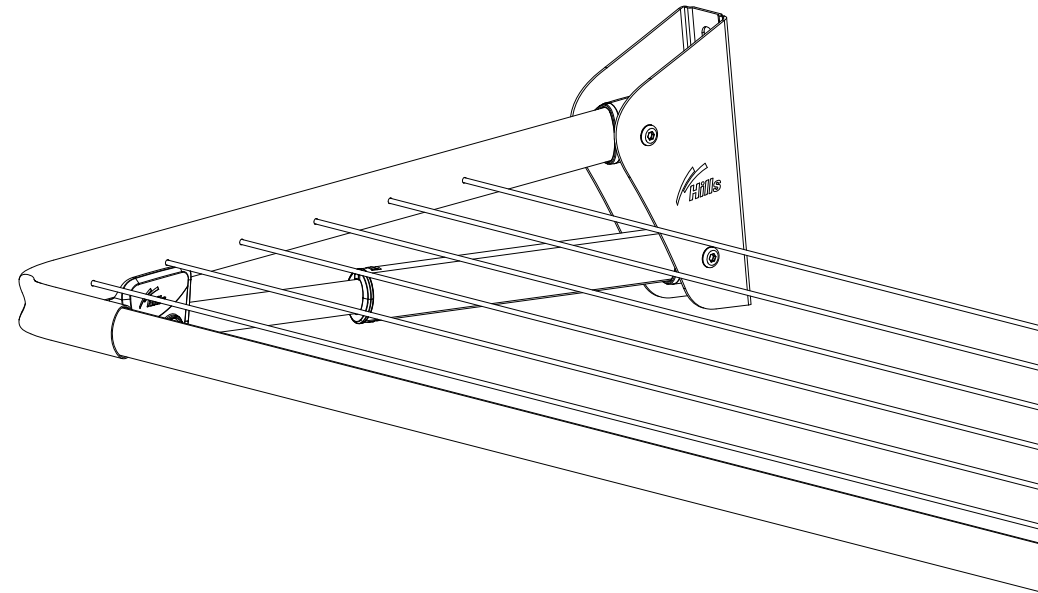
Website  
[hillshome.com.au](http://hillshome.com.au)

Consumer Advice  
[hillshome.com.au/need-help](http://hillshome.com.au/need-help)



## Mini Folding Frame Clothesline

Owner's Manual  
80150708 & 80150715



AMES Australasia Pty Ltd.  
ABN 89 169 427 061  
Issue Nov 2021

BQ01244a

# Hills Warranty

AMES Australasia Pty Ltd warrants that this Clotheslines frame and lifting mechanisms will be free from defects in manufacturing for the lifetime of the original purchaser of the product. This warranty does not extend to plastic hanging line or the surface finish of the product from weathering. If a defect covered by this warranty becomes evident during that period, AMES Australasia Pty Ltd will, at its option, replace the product, supply replacement parts for the product or refund the product. The cost or labour required to install any replacement part or product supplied under a valid warranty claim is not covered.

In the event of a defect covered by this warranty, you should contact the Hills Customer Service Centre using the details below. You will require proof of purchase. Any expenses incurred in making a claim under this warranty are not covered by the warranty.

This warranty does not apply to any defect or damage caused by accident, improper use, abuse, neglect, or unauthorised alteration or repair. This warranty does not apply where the product was not installed in accordance with the product installation instructions. This warranty does not apply to any costs incurred in the installation of the product.

## For products purchased in Australia

Our goods come with guarantees that cannot be excluded under the Australian Consumer Law. You are entitled to a replacement or refund for a major failure and compensation for any other reasonably foreseeable loss or damage. You are also entitled to have the goods repaired or replaced if the goods fail to be of acceptable quality and the failure does not amount to a major failure.

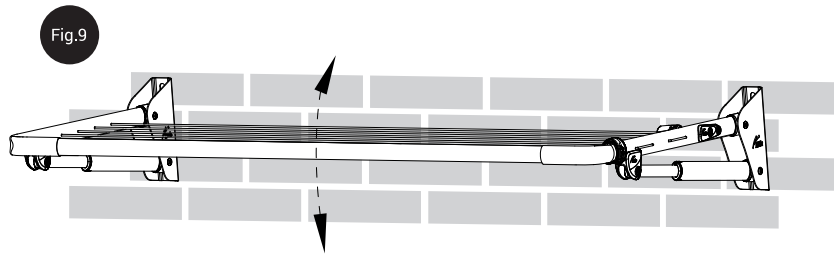
## For products purchased in New Zealand

Our goods come with guarantees that cannot be excluded under the Consumer Guarantees Act. AMES Australasia Pty Ltd will comply with our obligations to you under the Consumer Guarantees Act.

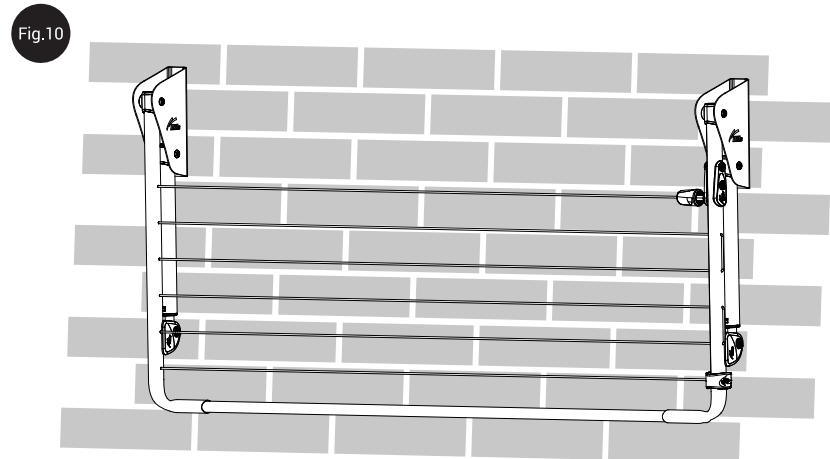
AMES Australasia Pty Ltd.  
ABN 89 169 427 061  
Level 1, 660 Doncaster Road,  
Doncaster, VIC 3108 Australia

## Operating the folding clothesline

- 4.1 To raise and lock the clothesline, grip the frame in the middle and lift upwards until you hear both folding brackets 'click' (Figure 9).



- 4.2 To lower the clothesline, grip the frame in the middle and raise slightly above your head until you hear both folding brackets 'click'. Then guide the frame into the closed position (Figure 10).



8

# Introduction

## Congratulations

Congratulations on the purchase of your new Hills Mini Folding Frame Clothesline, which will bring you many years of trouble free and efficient drying.

It's important that you read this Owner's Manual thoroughly before installation to benefit from the design features and enjoy safe use of this product. Thank you for choosing Hills.

## Warning

- Do not allow children or pets to swing on the Clothesline or items of laundry.
- Do not use for any purpose other than to hang and dry washing.
- Do not use your Clothesline if parts are worn or damaged.

## Handy Accessories

Get the most out of your clothesline with our additional accessories sold separately.

Jumbo Sock Rail  
Item # 80150906



Jumbo Coat Hanger Rail  
Item # 80150913



Line cleaner  
Item # 80150920

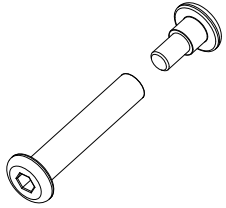


1

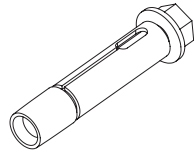
## Carton Contents

Please check the carton contains all parts listed before installation.

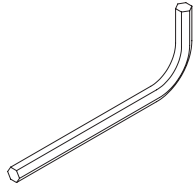
X4 Chicago bolts



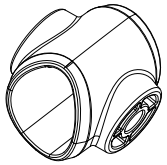
x4 M8x70 Masonry Wall Bolts



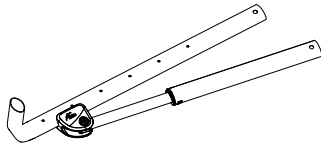
X2 Hex keys



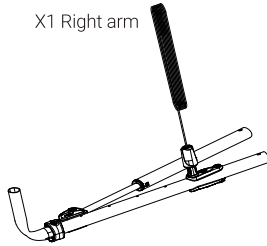
X4 Arm end caps



X1 Left arm



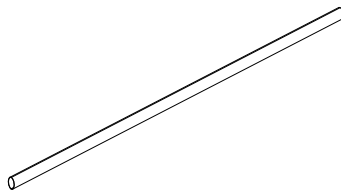
X1 Right arm



X2 Wall Brackets

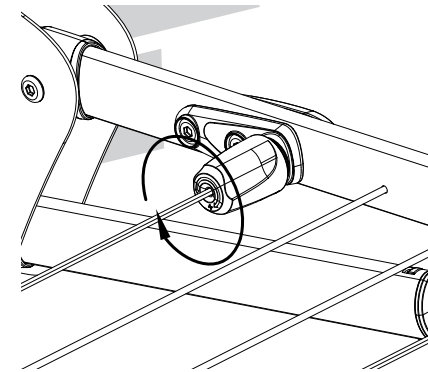


X1 Front bar



3.3 To tension the line, rotate the line tension dial in a clockwise direction until the lines are taut (Figure 8).

Fig.8



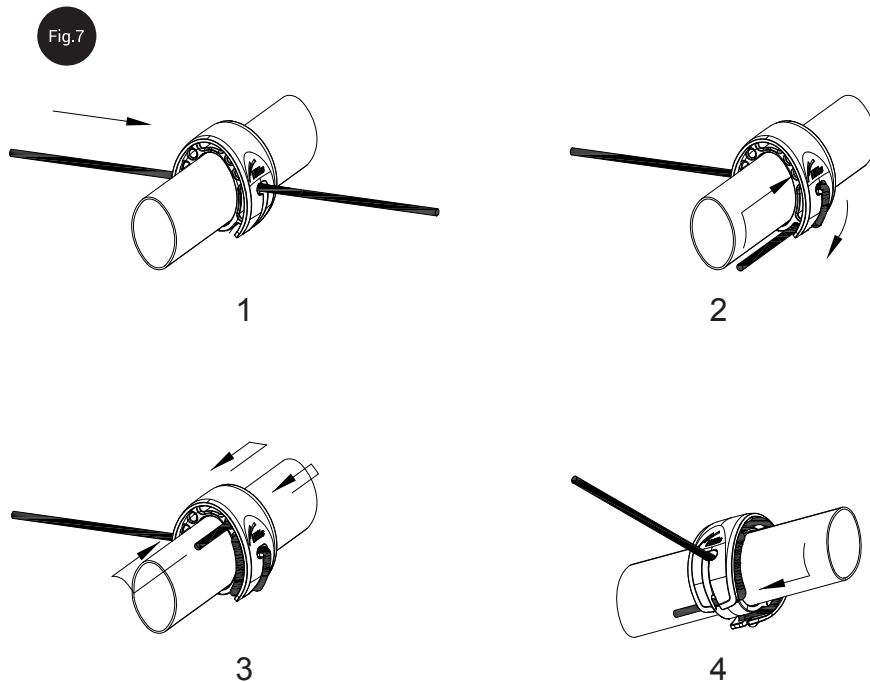
2

7

3.2 Follow the below steps to tie off (Figure 7).

- 1) Align the line tie off with the hole in the clothesline arm, and pull the line straight through the frame and line tie off.
- 2) Pull the line tight and down, then wedge it right to secure it into the gap at the base of the line tie off.
- 3) Thread the line back and forth through the holes on the inner of the line tie off, so it finishes back on the inside of the arm.
- 4) Wedge it again, this time into the opposite side gap at the base of the line tie off, and snip off the excess.

Do not snip, until you are happy the line is secure.



6

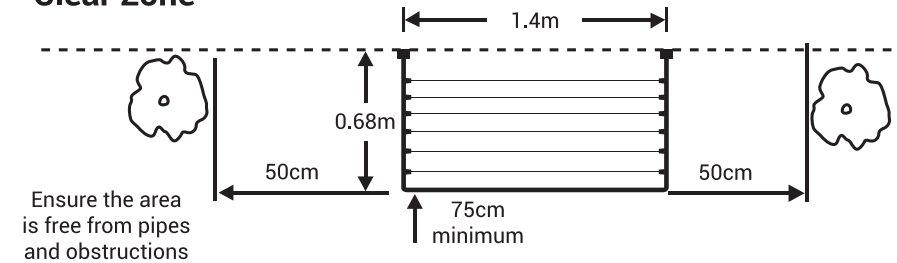
# Installation

**Important:** x4 M8x70 Masonry Wall Bolts are supplied with this product for mounting to masonry, brick or concrete walls. If mounting to a different substrate such as wood or other specialised materials, please consult your local hardware store for advice on which fixings to use.

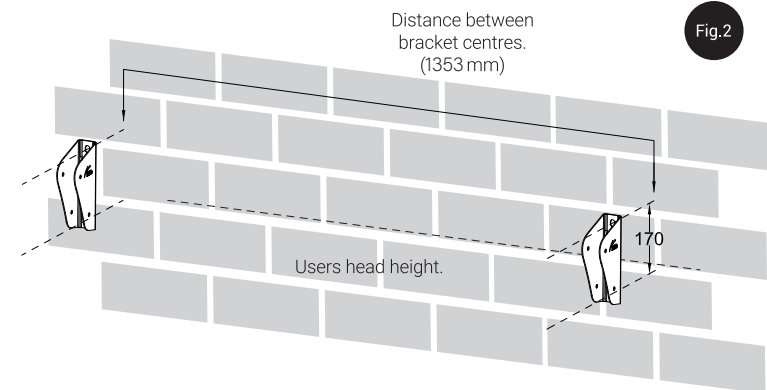
- 1.1 **Select a suitable location.** Ensure there is sufficient clearance around the clothesline. We recommend 500mm on the sides and 750mm from the front (Figure 1).

Fig.1

## Clear Zone



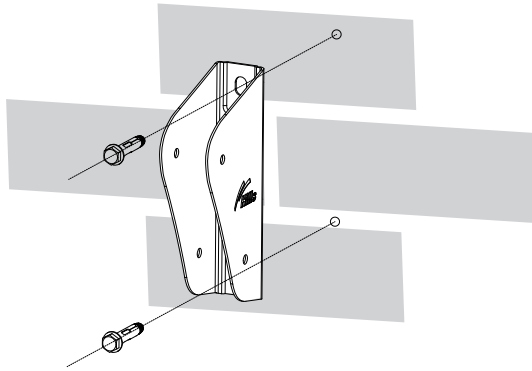
- 1.2 **Mark the hole centres.** Using the brackets as templates, mark the hole centres. The hole centres should be exactly 1353mm apart and we recommend the lower hole centres are in line with the users head height. Use a spirit level to ensure the hole centres are level vertically and horizontally (Figure 2).



3

- 1.3 Adhere the wall brackets.** If you are mounting to masonry, brick or concrete, drill 10mm holes at the marked points and secure into position using the M8 x 70 Masonry Wall Bolts supplied with the product (Figure 3). If using alternative fixings, secure the wall brackets in an appropriate manor for your substrate.

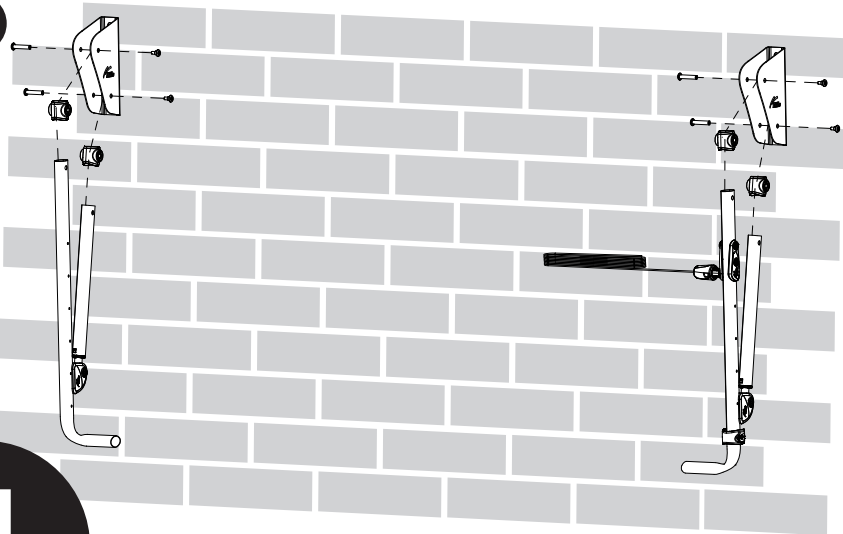
Fig.3



### Assemble the folding clothesline

- 2.1** Slide the x4 Arm End Caps onto the end of each arm and strut, then secure the arms and struts into to the wall brackets using the x4 Chicago Bolts (Figure 4).

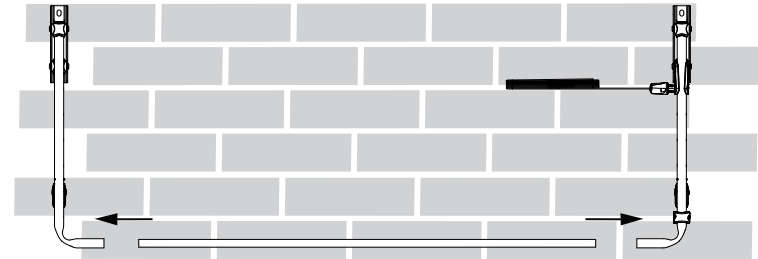
Fig.4



4

- 2.2** Carefully slot the Front Bar into the right arm corner. Whilst supporting it's weight, slot guide the other end into the left arm corner (Figure 5).

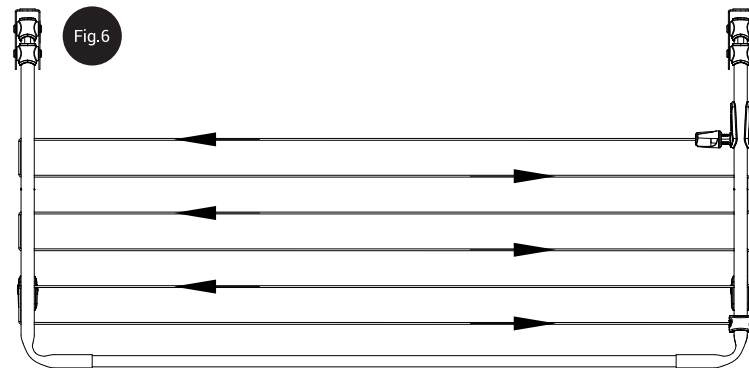
Fig.5



### Attaching the line

- 3.1** Your clothesline comes with the Line Tensioner and Line pre-attached. Thread the line through the clothesline in alternating directions, keeping tension as you go (Figure 6). Turn to page 6 for how to tie off the final thread.

Fig.6



5