

# Contacts

We are committed to providing you with complete customer satisfaction.  
If you have any questions or comments about our products or services please  
contact your nearest Customer Service Centre during their local business hours:

Australia  
1300 327 293

New Zealand  
0800 021 027

Email  
hills@amesau.com

Website  
hillshome.com.au

Consumer Advice  
hillshome.com.au/need-help



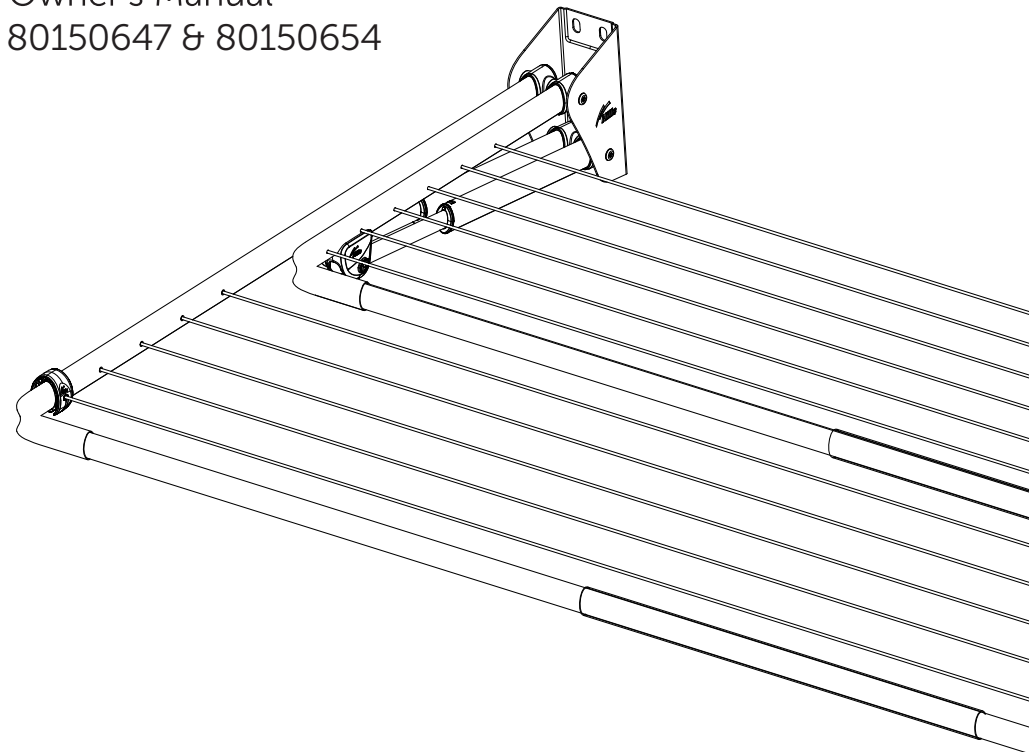
AMES Australasia Pty Ltd.  
ABN 89 169 427 061  
Issue Nov 2021

BQ01241a



## Double Folding Frame Clothesline

Owner's Manual  
80150647 & 80150654





# Hills Warranty

AMES Australasia Pty Ltd warrants that this Clotheslines frame and lifting mechanisms will be free from defects in manufacturing for the lifetime of the original purchaser of the product. This warranty does not extend to plastic hanging line or the surface finish of the product from weathering. If a defect covered by this warranty becomes evident during that period, AMES Australasia Pty Ltd will, at its option, replace the product, supply replacement parts for the product or refund the product. The cost or labour required to install any replacement part or product supplied under a valid warranty claim is not covered.

In the event of a defect covered by this warranty, you should contact the Hills Customer Service Centre using the details below. You will require proof of purchase. Any expenses incurred in making a claim under this warranty are not covered by the warranty.

This warranty does not apply to any defect or damage caused by accident, improper use, abuse, neglect, or unauthorised alteration or repair. This warranty does not apply where the product was not installed in accordance with the product installation instructions. This warranty does not apply to any costs incurred in the installation of the product.

## For products purchased in Australia

Our goods come with guarantees that cannot be excluded under the Australian Consumer Law. You are entitled to a replacement or refund for a major failure and compensation for any other reasonably foreseeable loss or damage. You are also entitled to have the goods repaired or replaced if the goods fail to be of acceptable quality and the failure does not amount to a major failure.

## For products purchased in New Zealand

Our goods come with guarantees that cannot be excluded under the Consumer Guarantees Act. AMES Australasia Pty Ltd will comply with our obligations to you under the Consumer Guarantees Act.

AMES Australasia Pty Ltd.  
ABN 89 169 427 061  
Level 1, 660 Doncaster Road,  
Doncaster, VIC 3108 Australia

# Introduction

## Congratulations!

Congratulations on the purchase of your new **Hills Double Folding Frame Clothesline**, which will bring you many years of trouble free and efficient drying.

Your **Hills Double Folding Frame Clothesline** can be either wall or ground mounted. If ground mounting, you will need to purchase a Post Kit which is sold separately (item code 80150722 or 80150739).

It's important that you read this Owner's Manual thoroughly before installation to benefit from the design features and enjoy safe use of this product. Thank you for choosing Hills.

## Warning

- Do not allow children or pets to swing on the Clothesline or items of laundry.
- Do not use for any purpose other than to hang and dry washing.
- Do not use your Clothesline if parts are worn or damaged.

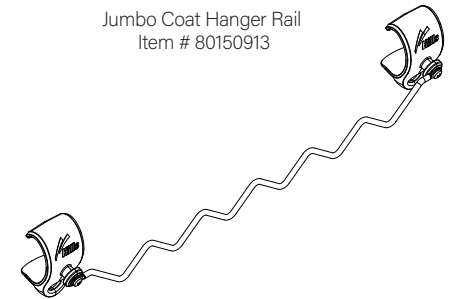
## Handy Accessories

Get the most out of your clothesline with our additional accessories sold separately.

Jumbo Sock Rail  
Item # 80150906



Jumbo Coat Hanger Rail  
Item # 80150913



Line cleaner  
Item # 80150920



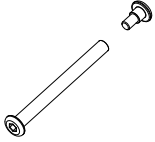
12

1

## Carton Contents

Please check the carton contains all parts listed before installation.

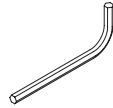
X4 Chicago bolts



x8 M8x70 Masonry Wall Bolts



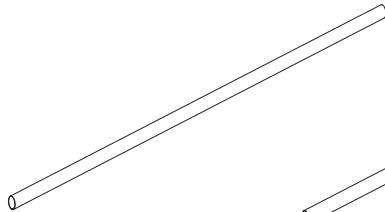
X2 Hex keys



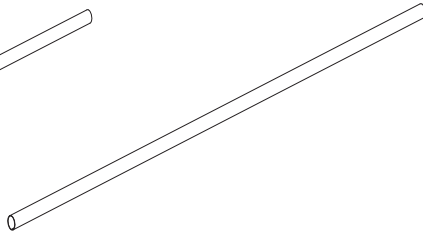
X8 Arm end caps



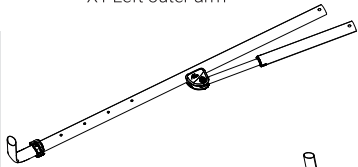
x2 Inner Front Bar (shorter)



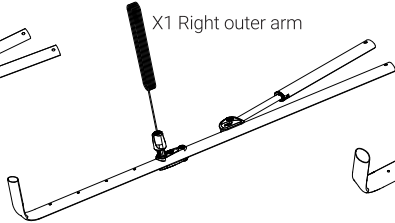
x2 Outer Front Bar (longer)



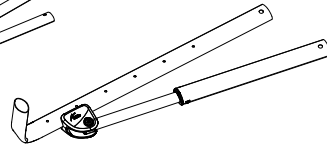
X1 Left outer arm



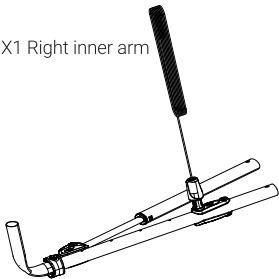
X1 Right outer arm



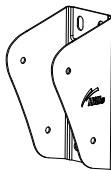
X1 Left inner arm



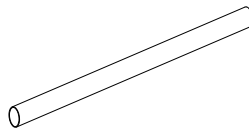
X1 Right inner arm



X2 Wall Brackets



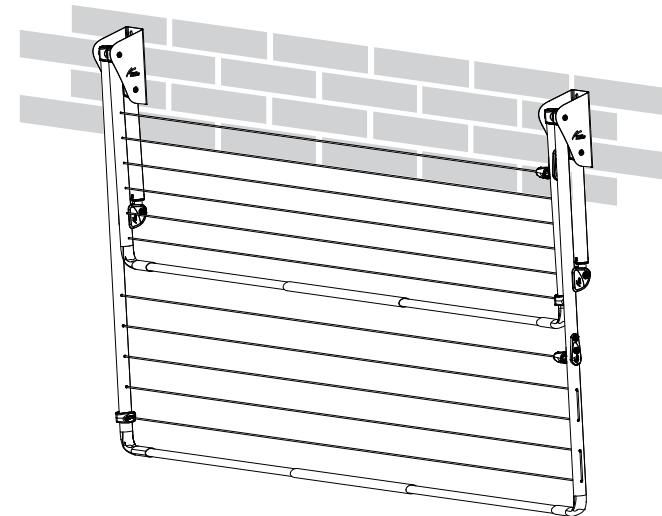
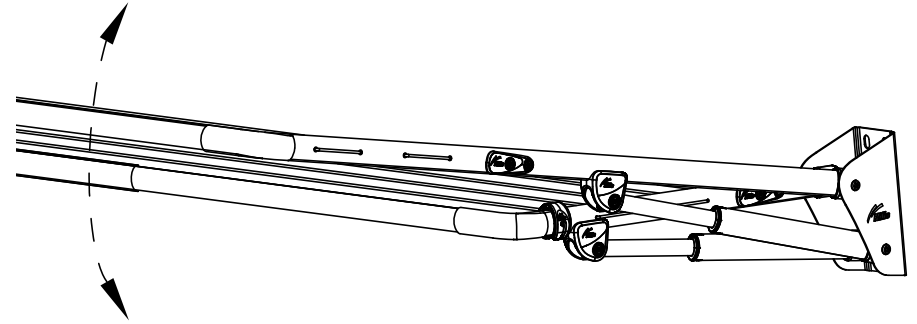
X2 Joining Bars



2

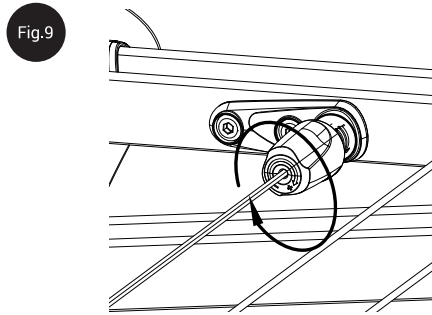
- 4.2 To lower either of the frames, grip the frame in the middle and raise it slightly above your head until you hear both folding brackets 'click'. Then guide the frame into the closed position (Figure 11).

Fig.11



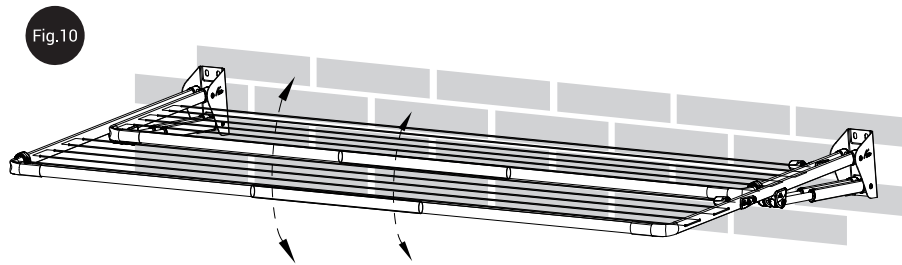
11

3.3 To tension the line, rotate the line tension dial in a clockwise direction until the lines are taut (Figure 9).



### Operating the folding clothesline

4.1 To raise and lock either of the frames, grip in the middle and lift upwards until you hear the folding bracket 'click' (Figure 10).



## Installation Options

**Important:** This clothesline can be wall or ground mounted. If you choose to ground mount, you will need to purchase a Hills Folding Frame Post Kit, which is sold separately:

80150722 - Folding Frame Post Kit Monument®  
80150739 - Folding Frame Post Kit Surfmist®

Please follow the instructions provided with the Post Kit for a ground mount installation.

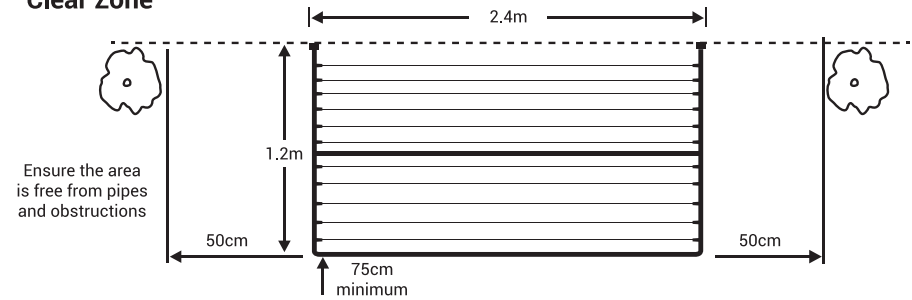
### Wall Installation Instructions

**Important:** x8 M8x70 Masonry Wall Bolts are supplied with this product for mounting to masonry, brick or concrete walls. If mounting to a different substrate such as wood or other specialised materials, please consult your local hardware store for advice on which fixings to use.

1.1 **Select a suitable location.** Ensure there is sufficient clearance around the clothesline. We recommend 500mm on the sides and 750mm from the front (Figure 1).

Fig.1

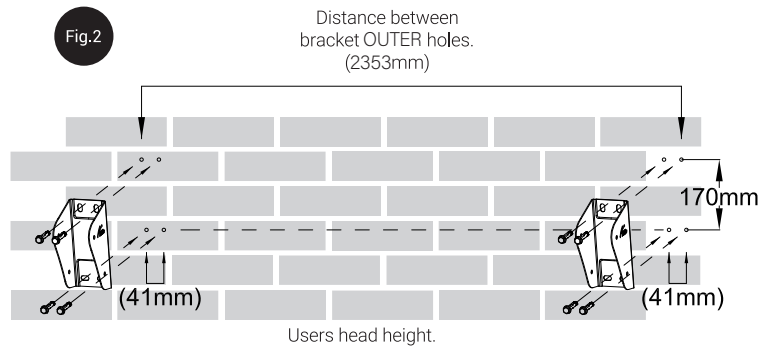
### Clear Zone



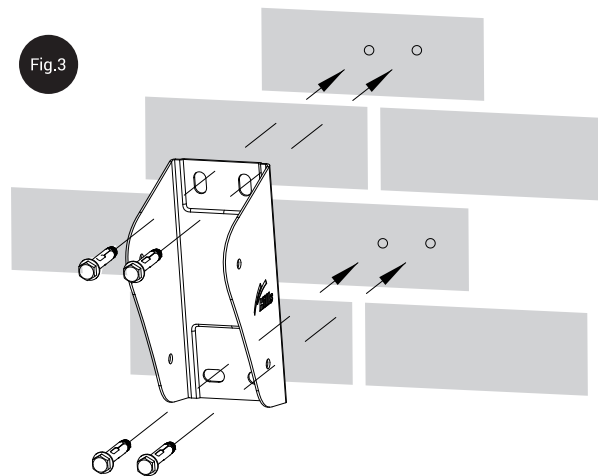
10

3

- 1.2 Mark the hole centres.** Using the brackets as templates, mark the hole centres. The outer hole centres should be exactly 2353mm apart and we recommend the lower hole centres are in line with the users head height. Use a spirit level to ensure the hole centres are level vertically and horizontally (Figure 2).



- 1.3 Adhere the wall brackets.** If you are mounting to masonry, brick or concrete, drill 10mm holes at the marked points and secure into position using the M8 x 70 Masonry Wall Bolts supplied with the product (Figure 3). If using alternative fixings, secure the wall brackets in an appropriate manor for your substrate.

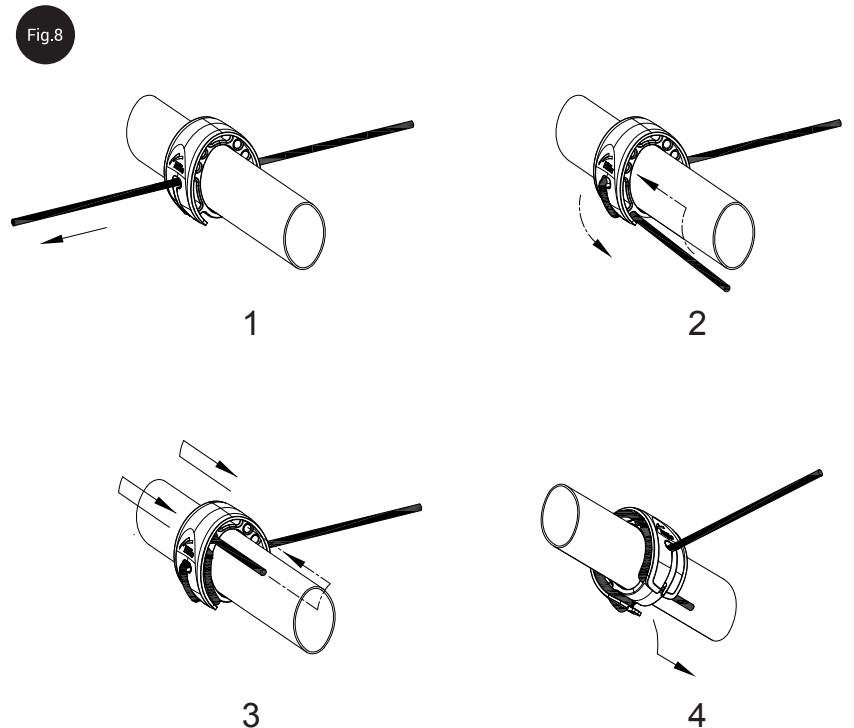


4

- 3.2** For each frame, ensure all the lines are pulled tight, then follow the below steps to tie off:

- 1) Align the line tie off with the hole in the clothesline arm, and pull the line straight through the frame and and line tie off.
- 2) Pull the line tight and down, then wedge it right to secure it into the gap at the base of the line tie off.
- 3) Thread the line back and forth through the holes on the inside of the line tie off, so the line finishes back on the inside of the arm.
- 4) Wedge it again, this time into the opposite side gap at the base of the line tie off, and snip off the excess (Figure 8).

Do not snip, until you are happy the line is secure.

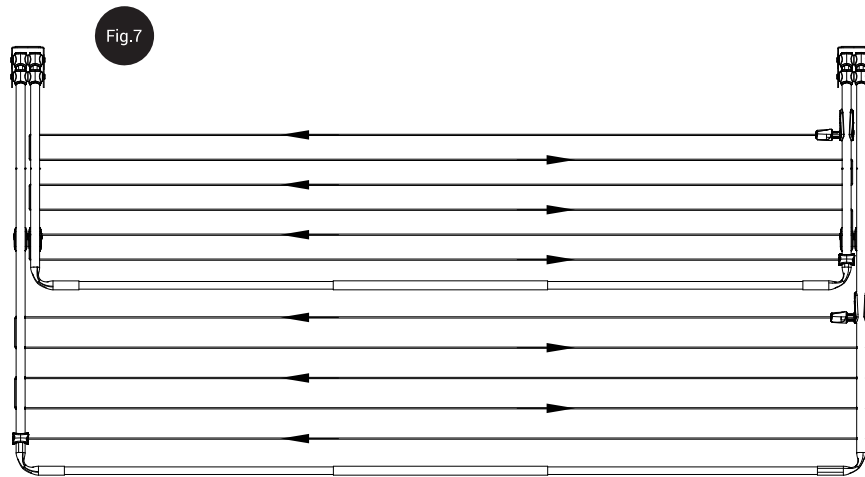


9

## Attaching the line

- 3.1 Your clothesline comes with the Line Tensioner and Line pre-attached on both frames. Thread the line through each frame in alternating directions, keeping tension as you go (Figure 7).

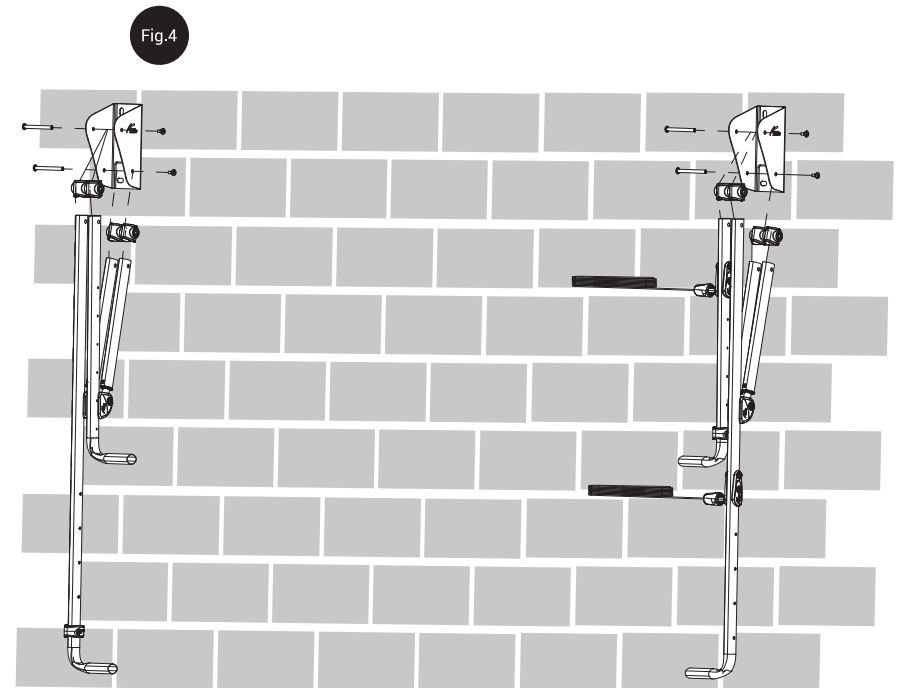
Refer to page 9 for how to tie off the final thread on each frame.



## Assemble the folding clothesline

- 2.1 Slide the x8 Arm End Caps onto the end of each arm and strut, then secure the arms and struts into to the wall brackets using the x4 Chicago Bolts (Figure 4).

Ensure the inner frame arms (shorter) are on the inside of the clothesline.



8

5

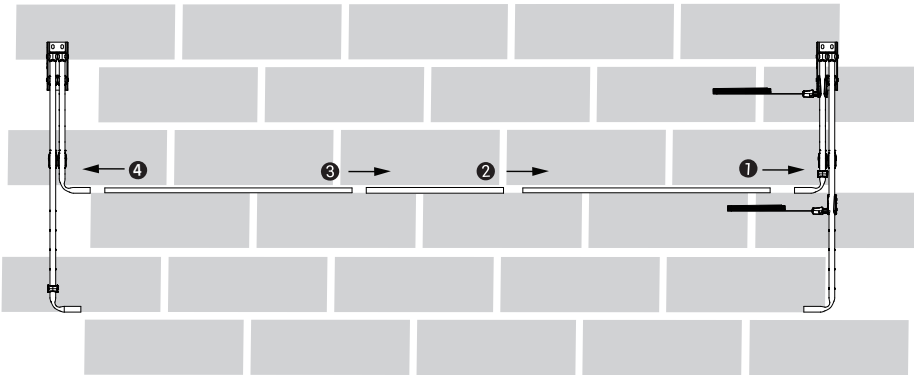
## 2.2 Install the Inner Frame:

Moving from right to left and keeping weight supported the whole time:

- 1) Insert x1 Inner Front Bar into the Inner Right Arm
- 2) Slide x1 Joining Bar onto the Inner Front Bar
- 3) Slide the remaining Inner Front Bar into the Joining Bar
- 4) Carefully slot the assembled bars into the Left Inner Arm.  
(Figure 5)

The inner frame will now be fully assembled.

Fig.5



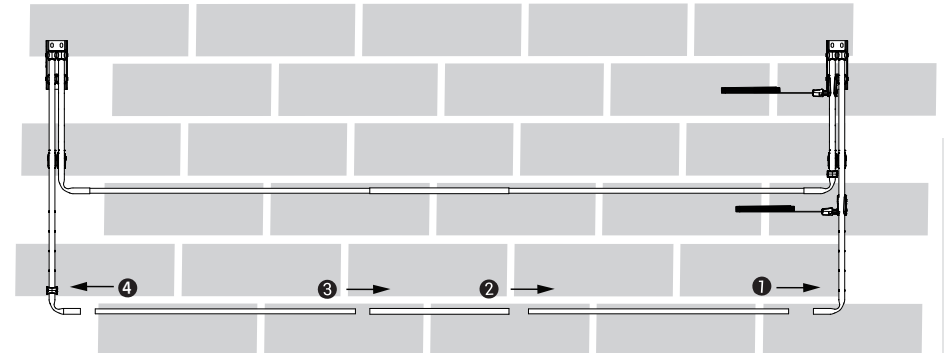
## 2.3 Install the Outer Frame:

Moving from right to left and keeping weight supported the whole time:

- 1) Insert x1 Outer Front Bar into the Outer Right Arm
- 2) Slide x1 Joining Bar onto the Outer Front Bar
- 3) Slide the remaining Outer Front Bar into the Joining Bar
- 4) Carefully slot the assembled bars into the Outer Left Arm.  
(Figure 6)

The outer frame will now be fully assembled.

Fig.6



6

7