

INSTALLATION INSTRUCTIONS

Outdoor Retractable Clothesline

Model 4/5/6 Line



Please check the carton contains all the required parts before installing the clothesline.

Your carton should contain the following:

1. **Daytek 4/5/6 Outdoor Retractable Clothesline** x 1
2. **Wall to Wall fixing pack including detailed installation instructions** x 1
(Fixing pack provided is for installing to bricks and timber walls only. For fixing to other type of wall structures consult you local hardware specialist)
3. **Bonus Daytek Pegs**

Tools required for installation.

- 8 metre measuring tape & pencil marker
- Hammer
- Hammer drill
- Masonry drill bit (10mm diameter)
- Socket set or adjustable wrench
- 1 spirit level 500 - 800mm long (optional)
- Twist drill 5mm diameter (optional)

INSTALLATION OPTIONS.

- Wall to Wall - All fixing required included inside pack
- Wall to Post - Requires additional Daytek Post Kit Model #A02840624 x 1
- Post to Post - Requires additional Daytek Post Kit Model #A02840624 x 2

INSTALLATION INSTRUCTIONS.

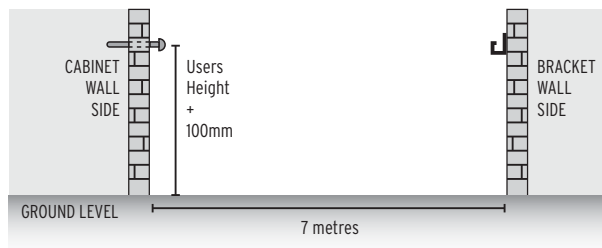
Important: Recommended installation height of line is **user height + 100mm minimum**. Maximum wall to wall distance of 7 metres. Ensure selected position has a clearance of 1 metre minimum on either side.

For timber wall installations, follow instructions and use 5mm diameter to drill all mounting hole positions and discard plastic plugs when installing cabinet and bracket.

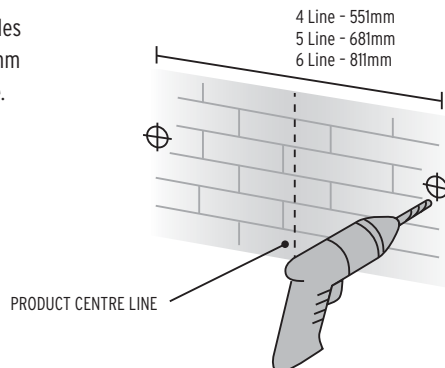
Wall Mounting Hole Position Table:

Model	Cabinet Mounting Distance (centre to centre hole positions - mm)	Bracket Mounting Distance (centre to centre hole positions - mm)
4 Line	551	35 + 225 + 35
5 Line	681	35 + 355 + 35
6 Line	811	35 + 225 + 35

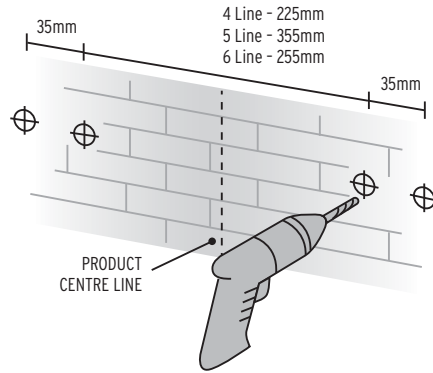
1. Mark recommended installation height, cabinet and bracket centre positions (refer to Wall Mounting Hole Position Table).



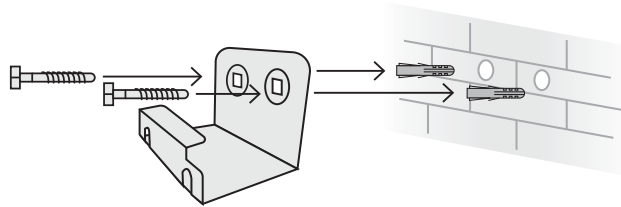
2. Drill two cabinet mounting holes with 10mm diameter x 50-60mm depth on the cabinet wall side.



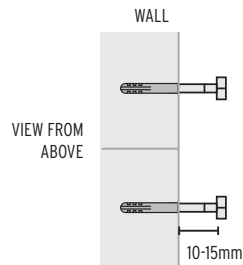
3. Drill four mounting holes with 10mm diameter x 50-60mm depth on the bracket wall side.



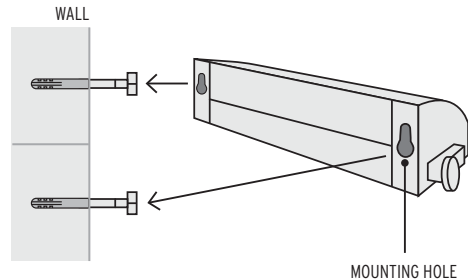
4. To install bracket, insert plastic plug into the hole and secure bracket with screws and tighten into position. Repeat to install second bracket.



5. To install cabinet, insert plastic plug into the hole and affix screws leaving 10-15mm distance from shoulder head to the wall.

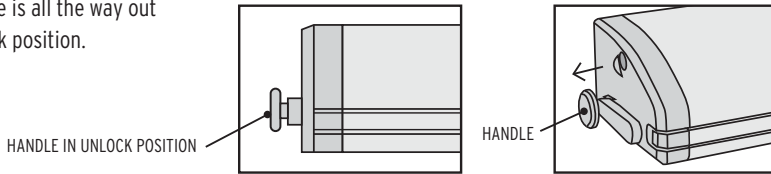


6. Align and locate cabinet mounting hole into screw and pull down slightly to secure correctly. Ensure unit is sitting flat and if required reduce distance of screw from the wall to suit.

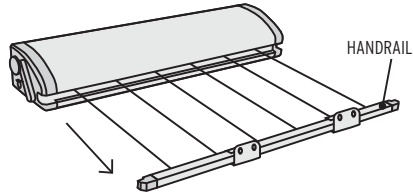


INSTALLATION INSTRUCTIONS.

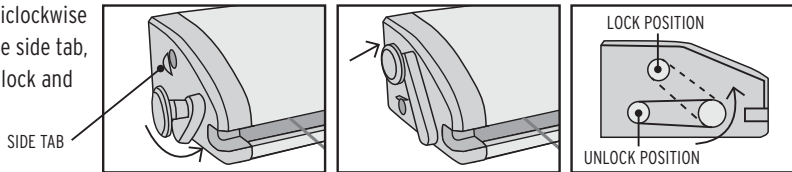
1. Check handle is all the way out and in unlock position.



2. Gently pull handrail out from side of cabinet and hook onto brackets on the opposite wall.



3. Rotate handle anticlockwise until it touches the side tab, push handle in to lock and secure the line.



SAFETY HINT. Do not use clothesline other than to hang and dry washing.
Ensure clothesline is not used as play item by children swinging or hanging on lines.

10 YEAR PRODUCT WARRANTY.

Our goods come with guarantees that cannot be excluded under the Australian Consumer Law. You are entitled to a replacement or refund for a major failure and for compensation for any loss or damage. You are also entitled to have the goods repaired or replaced if the goods fail to be acceptable quality and the failure does not amount to a major failure.

If any part of this clothesline fails to operate correctly due to faulty workmanship or defective material

Dayton Tooling will repair or replace free of cost within 10 years from the date of purchase. (Receipt of purchase required). The PVC line cord is covered by a 2 year warranty from the date of purchase. Any evidence of misuse or incorrect adjustment will void the warranty. To claim a product warranty, please contact Dayton Tooling directly. You must bear the cost of claiming the warranty. This warranty is in addition to other rights and remedies of the customer under law.

Manufactured/Supplied by Dayton Tooling Pty Ltd
77-81 Gower Street, Preston
Victoria 3072 Australia
T +61 3 9470 1755
F +61 3 9470 5381
E enquiry@daytek.com.au

daytek.com.au



Daytek[®]
Design for Today

160R01