

1-Year Warranty

AMES Australasia Pty Ltd warrants that this Hills product will be free from defects in manufacturing for one year. If a defect covered by this warranty becomes evident during that period, AMES Australasia Pty Ltd will, at its option, replace the product, supply replacement parts for the product or refund the product. The cost or labour required to install any replacement part or product supplied under a valid warranty claim is not covered. In the event of a defect covered by this warranty, you should contact the Hills Customer Service Centre using the details below. You will require proof of purchase. Any expenses incurred in making a claim under this warranty are not covered by the warranty. This warranty does not apply to any defect or damage caused by accident, improper use, abuse, neglect, or unauthorised alteration or repair. This warranty does not apply where the product was not installed in accordance with the product installation instructions. This warranty does not apply to any costs incurred in the installation of the product.

For products purchased in Australia

Our goods come with guarantees that cannot be excluded under the Australian Consumer Law. You are entitled to a replacement or refund for a major failure and compensation for any other reasonably foreseeable loss or damage. You are also entitled to have the goods repaired or replaced if the goods fail to be of acceptable quality and the failure does not amount to a major failure.

For products purchased in New Zealand

Our goods come with guarantees that cannot be excluded under the Consumer Guarantees Act. AMES Australasia Pty Ltd will comply with our obligations to you under the Consumer Guarantees Act.

Contacts

Australia: 1300 327 293
New Zealand: 0800 021 027

Email: hills@amesau.com
Websites: hillshome.com.au
hillshome.com.au/need-help

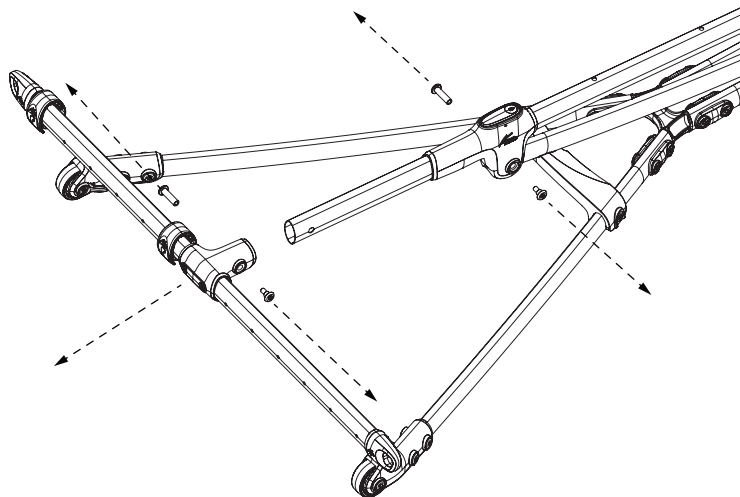


Portable Clothesline Button Assembly

Installation instructions
80106484

1 Ensure your clothesline is in the closed position. Unwind the line from all the line tie offs, and fully remove the line from the clothesline.

2 Unscrew the clothesline arm which is on the same side as the faulty push button assembly. Unscrew the fixings holding the leg to the faulty push button assembly. Press the button and slide the faulty push button assembly off the unit.



3 Important: Slide the spacer into the leg. Slide the spacer into the leg making sure either end of the spacer is protruding from the hole. Slide the replacement push button assembly onto the clothesline centre bar. Note: Ensure the handle grip is facing outwards. Carefully slide this into the groove on the button assembly aligning the holes. Insert Chicago bolts and tighten.

4 Re-attach the removed arm to the clothesline. Re-attach the line.

Note: To avoid running out of line, be careful to re attach the line without leaving any spare at the end of each tie off clip.

