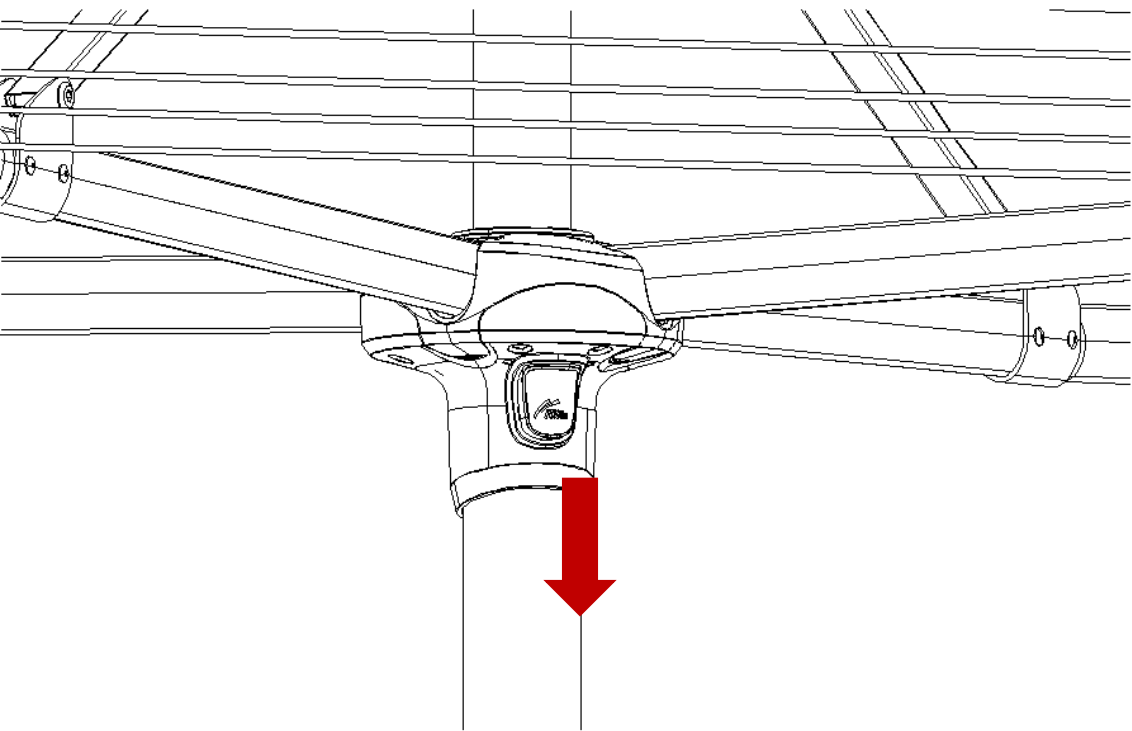
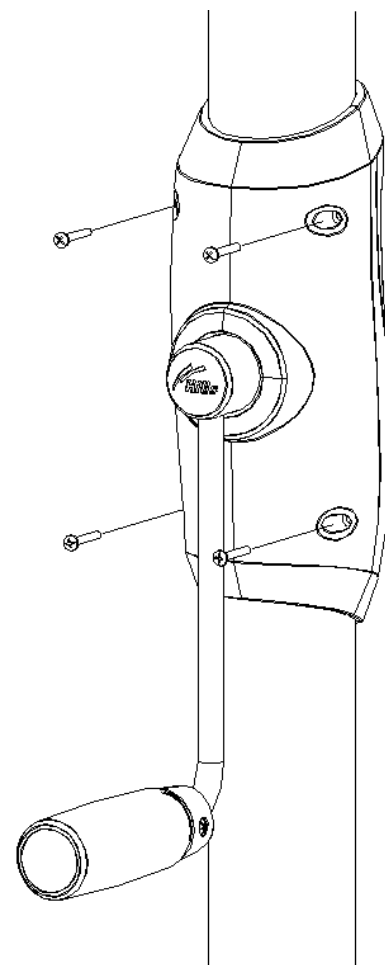


1



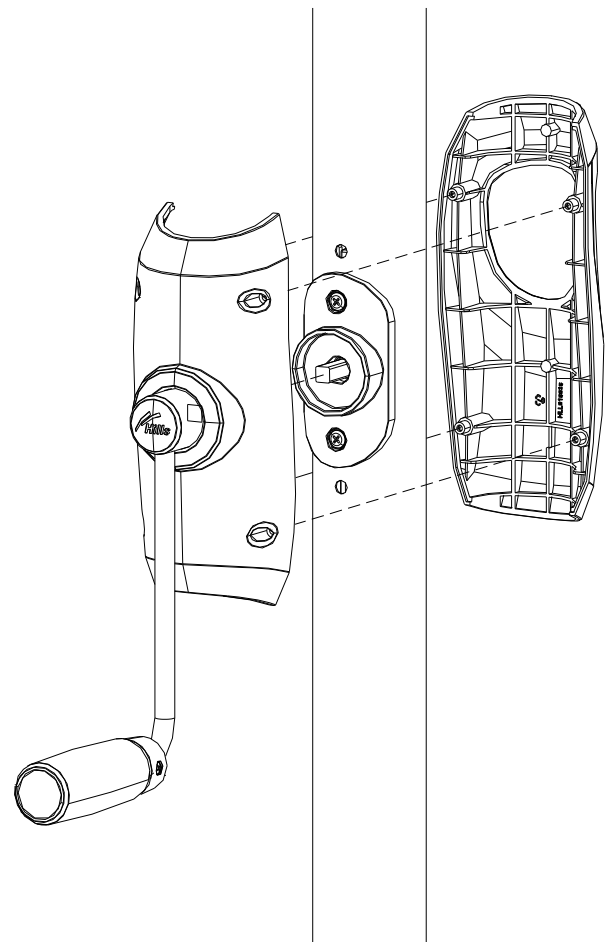
Fold down the arms of the clothesline

2



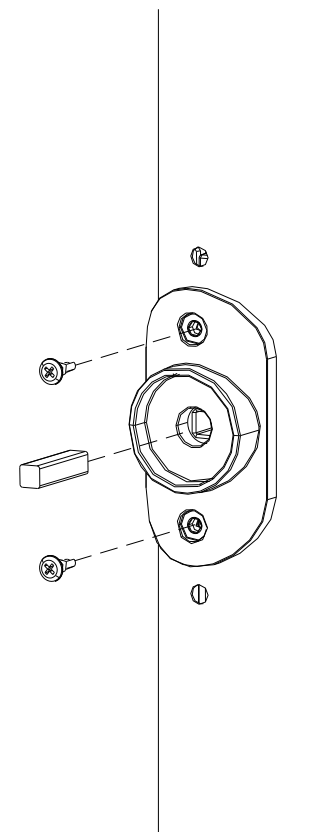
Unscrew the x4 screws that are holding the handle case to the main standard

3



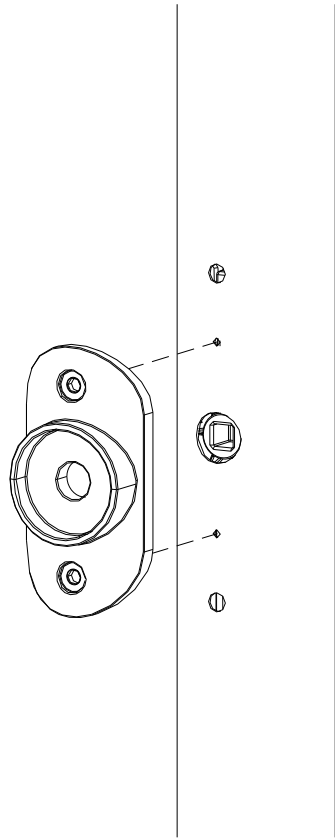
Unmount the case assembly

4



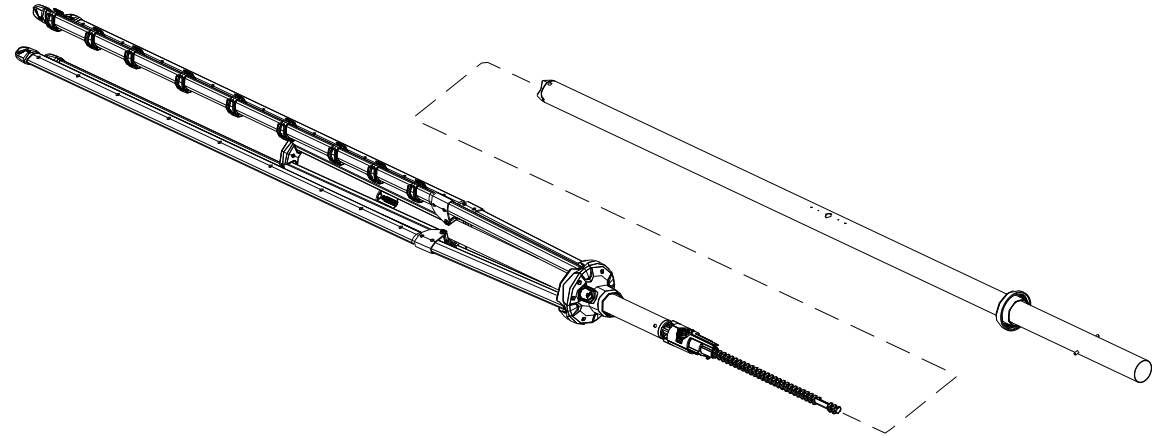
Unscrew x2 screws and then remove the centre square key

5



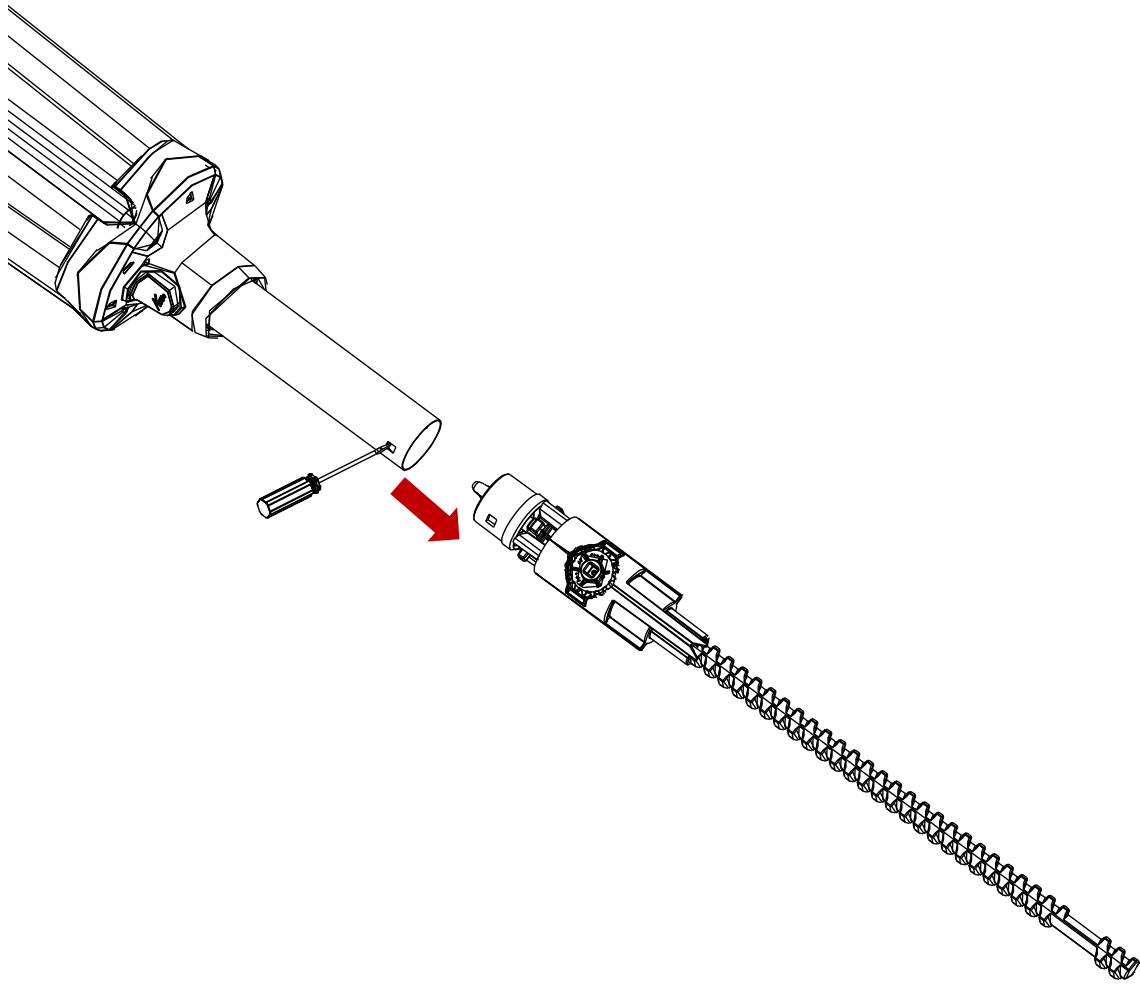
Remove the inner casing of the handle assembly

6



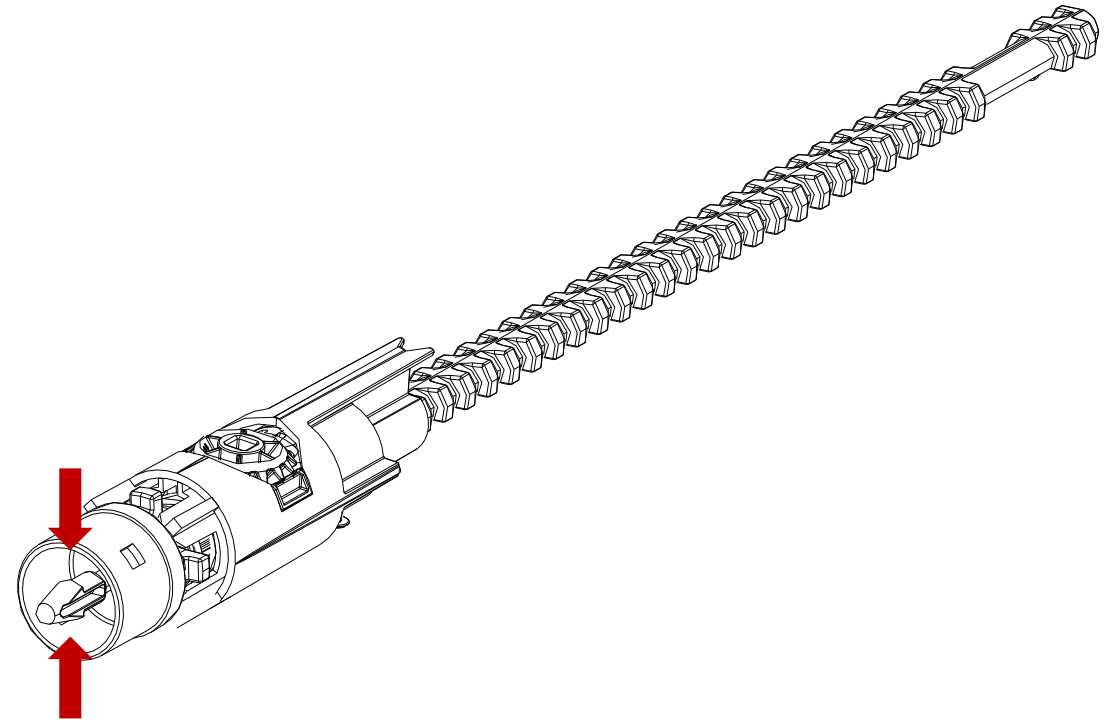
Lay the Main Post on the ground the gently pull the Arm Assembly from the Main Post – this will reveal the Winding Mechanism

7



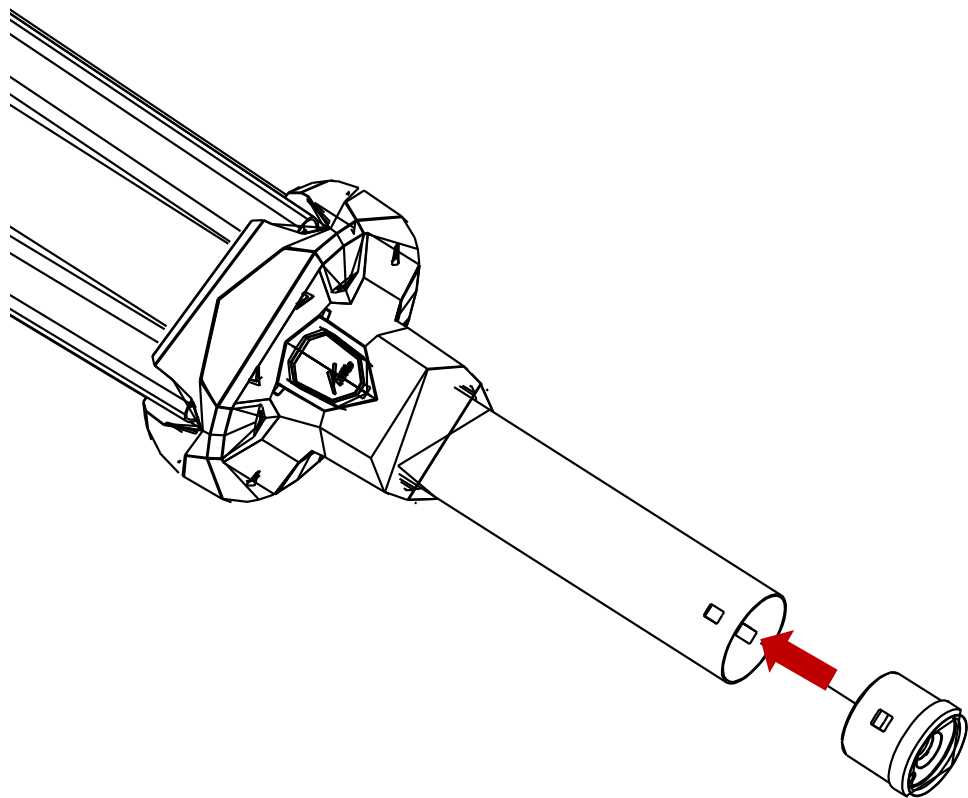
Use a screwdriver to depress the clips securing the End Cap in the Arm Assembly and remove it with the Winding Mechanism.

8



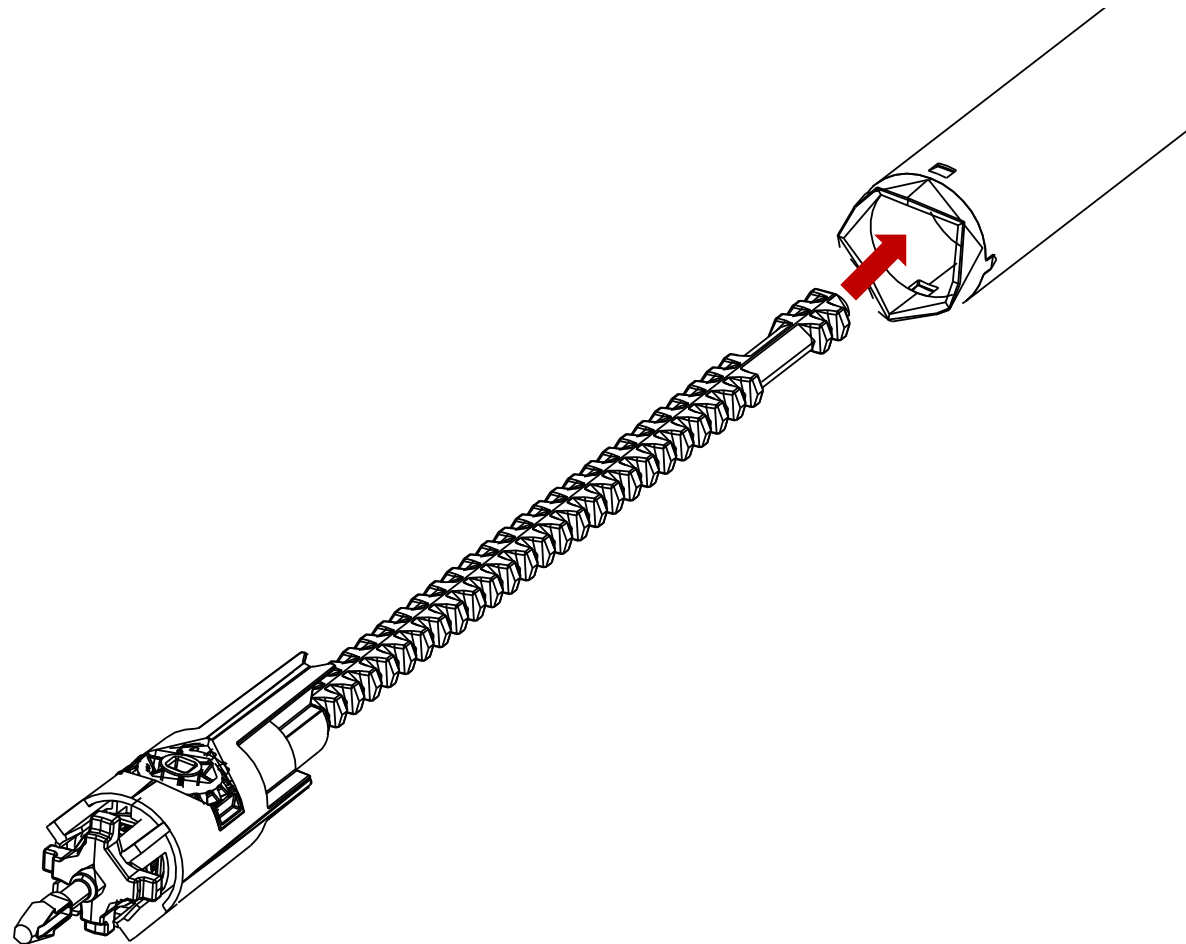
Use pliers to compress the barbed snap fit on the end of the Winding Mechanism. Note: this can be cut off if required. **Take care to not damage the End Cap as it will be reused**

9



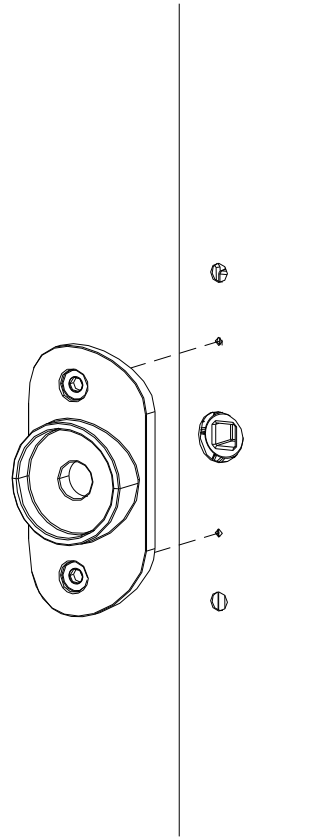
Re-attach the end cap in to the head assembly

10



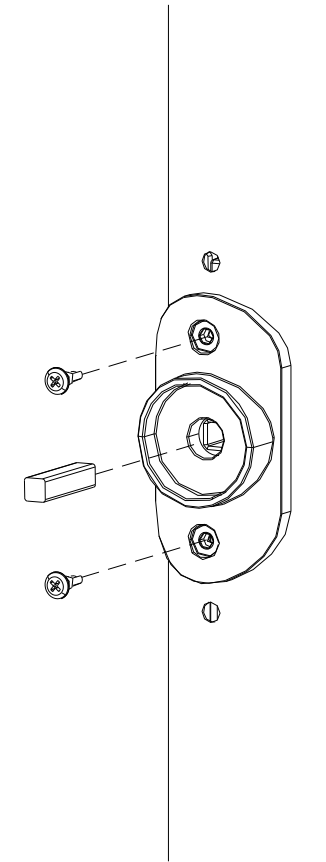
Ensure the Crown Gear and Carrier are in place and gently insert the new Winding Mechanism into the Main Post until it is aligned with the opening for the square key. Use a small screwdriver to rotate the Winding Mechanism if required.

11



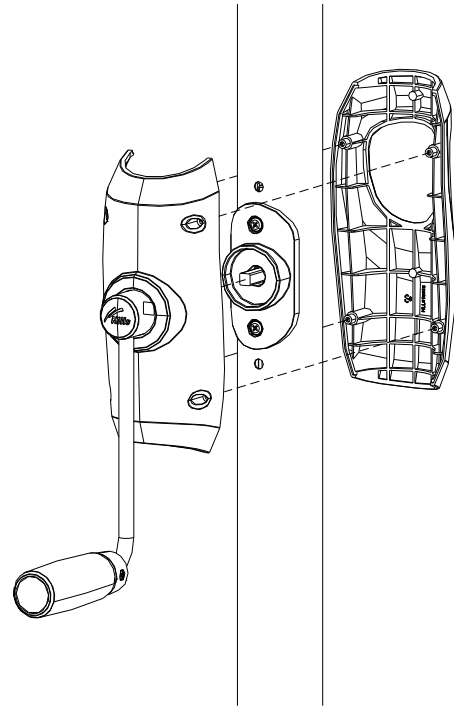
Re-attach the inner casing of the handle assembly

12



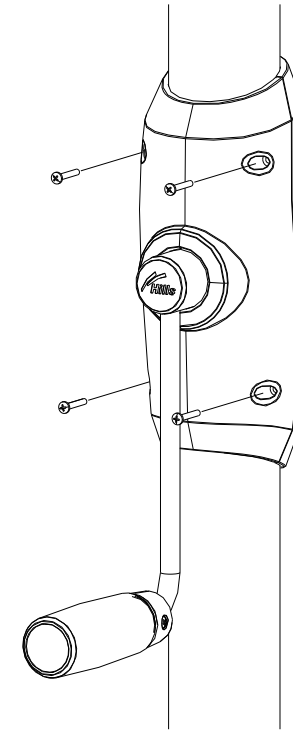
Re-attach x2 screws and the square key

13



Mount the case assembly

14



Re-attach the x4 screws to secure the handle case to the main standard

Image 1

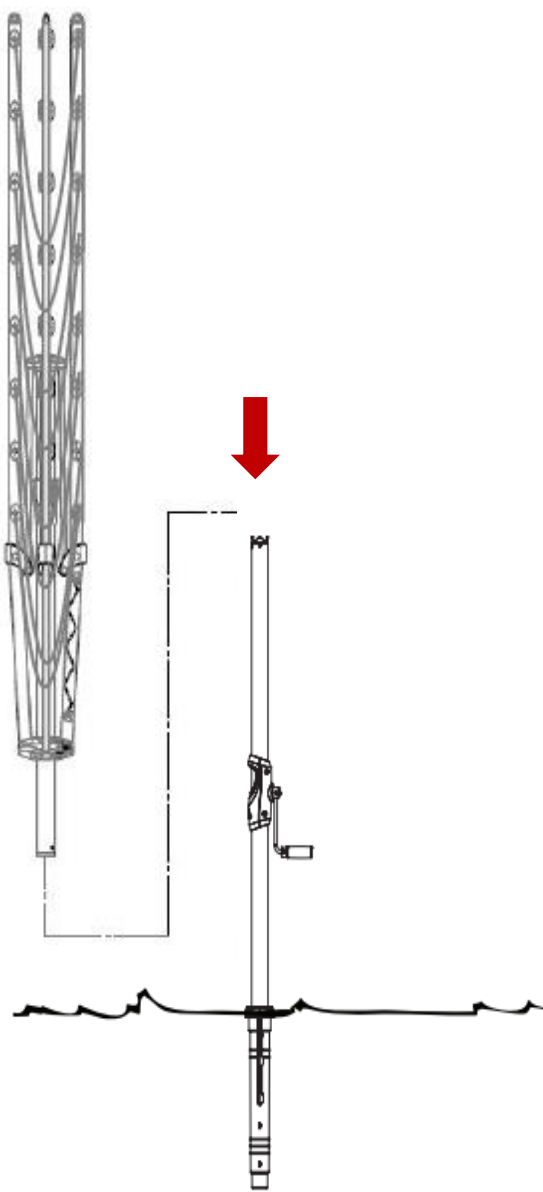
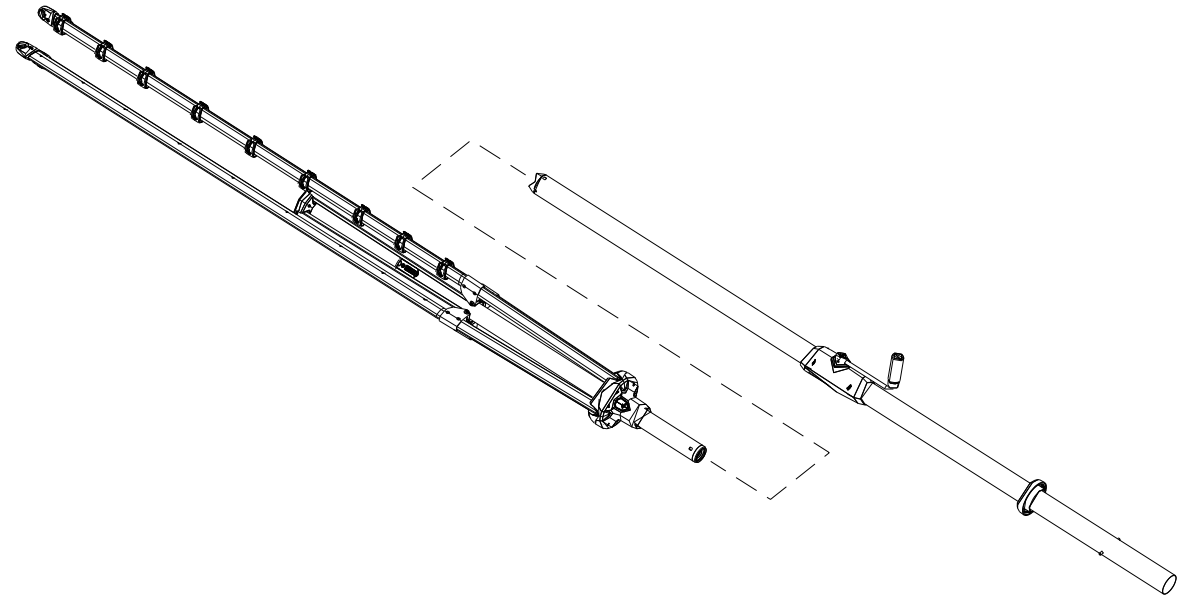


Image 2



Return the Main Post (with new Winding Mechanism) to the Ground Socket and then place the head assembly into the main pole. **Image 1.** This process can also be completed with the Clothesline laying on the ground and then guiding the assembled clothesline into the ground socket. **Image 2** To engage and lock the assembly, raise the head assembly slightly and lower again until a 'click' is heard. Check the head assembly is locked into position by lifting upwards.