

# FEATURES



## MODULAR INNER DESIGN

Hidden inner design can prevent water evaporation to keep your plant healthy.



## WATER LEVEL INDICATOR

The water level indicator makes it easy to know how much water your planter has. The shaft design allows less compaction of the soil which can be caused by pouring water directly on the soil.



## DRAIN PLUG

With the unique inner design, now you can clean up your planter without interfering with your plant.

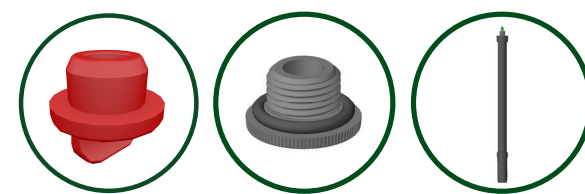
# COMPONENTS



SEPARATOR

INNER BODY

PLANTER BODY



DRAIN PLUG  
P# 65435

DRAIN PLUG  
P# 65432

WATER GAUGE  
11" - P# 65434  
14" - P#B65433

# HOW TO USE

## 1. SET UP



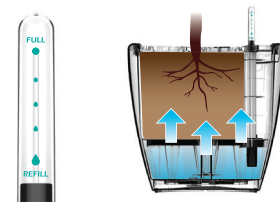
First, make sure the black and red drain plug are firmly installed. (Remove red drain plug for outdoor usage).

## 2. ADD YOUR PLANT



Put a layer of soil in the Vaxa Planter and plant any type of green you like, then carefully cover the root with soil again.

## 3. ADD WATER



Once your plant has been planted, add water through the self-watering spout until the water level indicator shows full.

## 4. FERTILIZATION



Depending on the plant species, you can start fertilizing the plant after 3 to 6 months. Use a liquid fertilizer and simply add it to your water spout when watering.

## 5. WATERING



If planting a seedling or smaller plant, you may need to water from the top until the roots are established enough to draw from the reservoir below. Once established, water through the self watering spout to decrease the chances of roots rotting and prevent mosquito breeding outdoors.

## 6. DROUGHT



When the water level indicator reaches "Refill", you do not need to water immediately. The plant is now in the period of drought. Depending on your plant and location, normal irrigation should start again 2 to 7 days after the drought period.

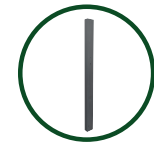
A GUIDE TO YOUR

# VAXA PLANTER

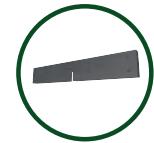


**vita**<sup>®</sup>

WEAREVITA.COM



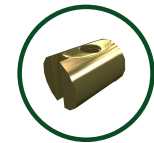
**A - LEGS**  
11" - x4 - #18002  
14" - x4 - #18000



**B - TOP CROSS BRACE**  
11" - 18003  
14" - 18001



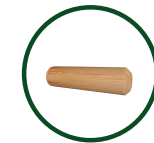
**C - BOTTOM CROSS BRACE**  
11" - 18004  
14" - 18005



**D - BARREL NUT**  
x5 - #21004



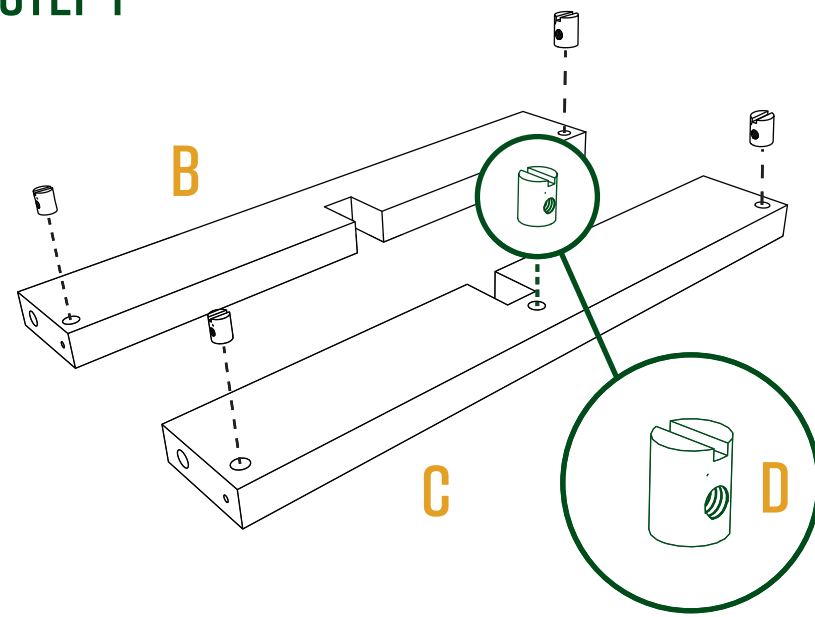
**E - WOOD SCREW**  
x5 - #21005



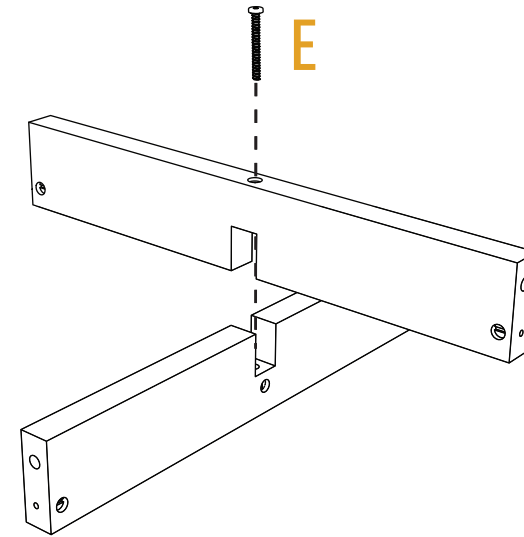
**F - WOODEN DOWEL**  
x4 - #21006

## BASE ASSEMBLY

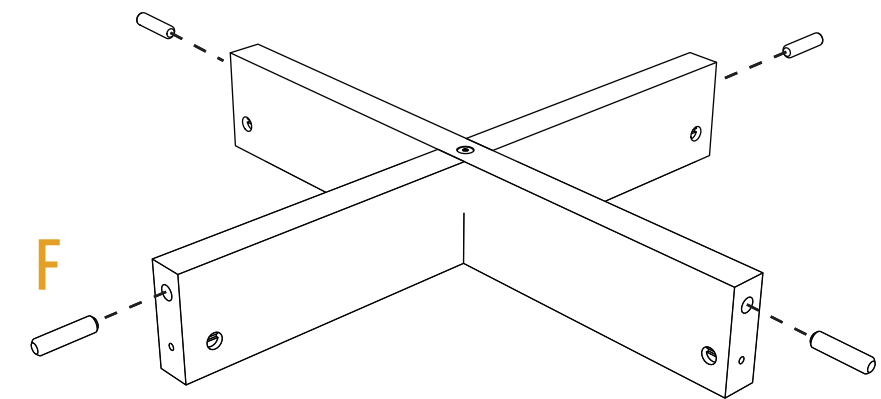
### STEP 1



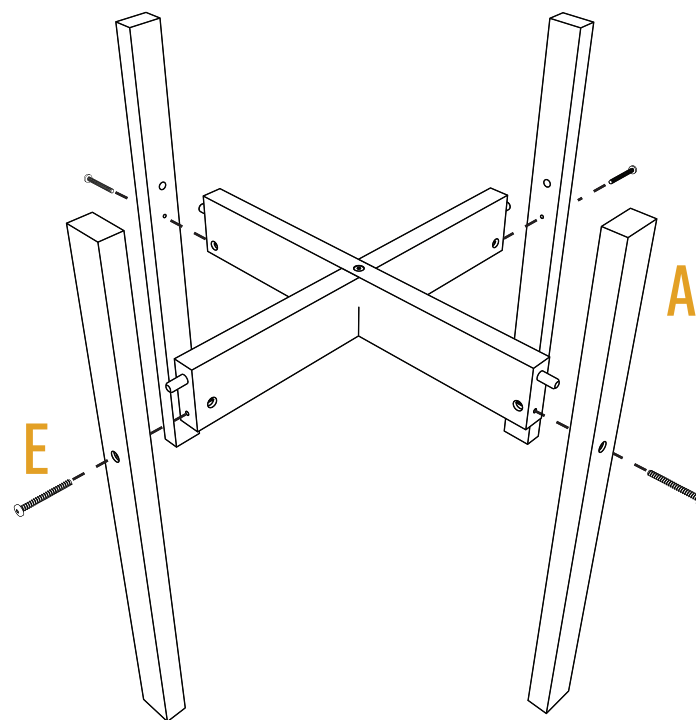
### STEP 2



### STEP 3

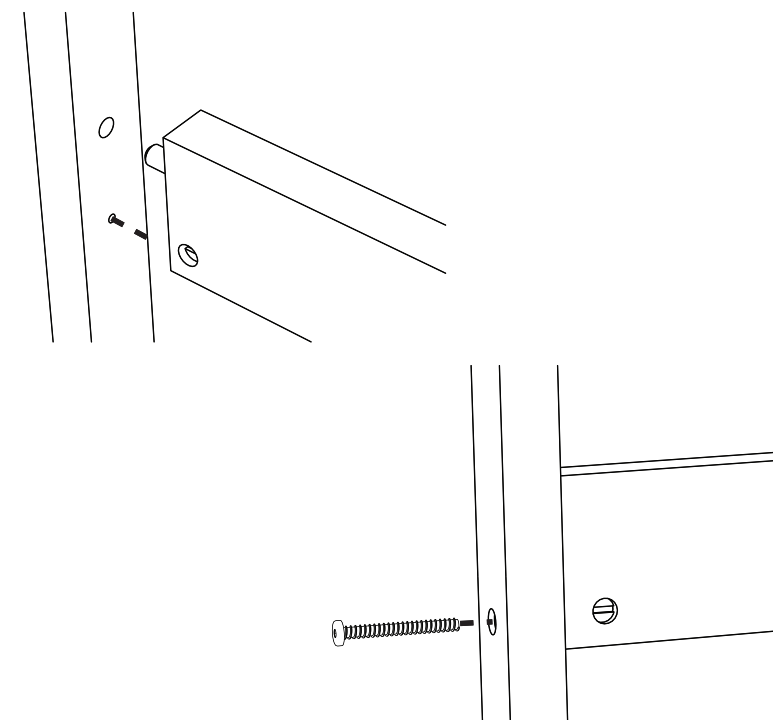


### STEP 4

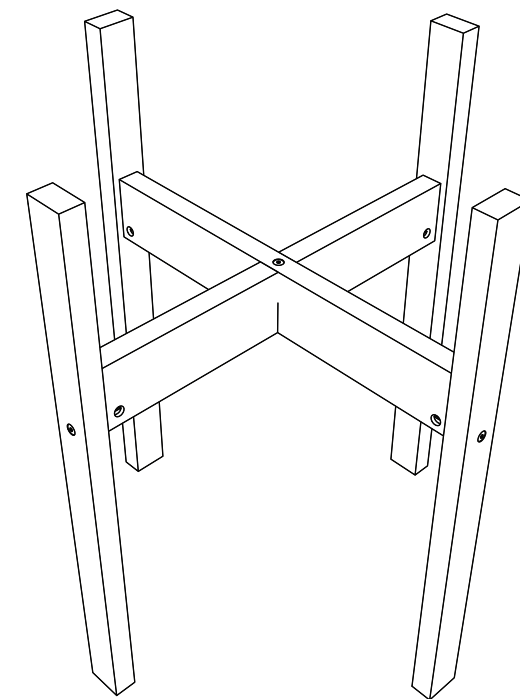


**Note:** When assembling the Vaxa legs, be sure to straighten them up/down before tightening firmly.

### STEP 4 CLOSEUPS



### FINAL



**Note:** The natural characteristics of bamboo wood mean it will contract and adjust to the unique conditions of each individual home. We recommend giving each leg a further tighten after 1 month.

## WATER GAUGE ASSEMBLY

