



ASSEMBLY GUIDE  
GUIDE DE MONTAGE  
GUÍA DE MONTAJE

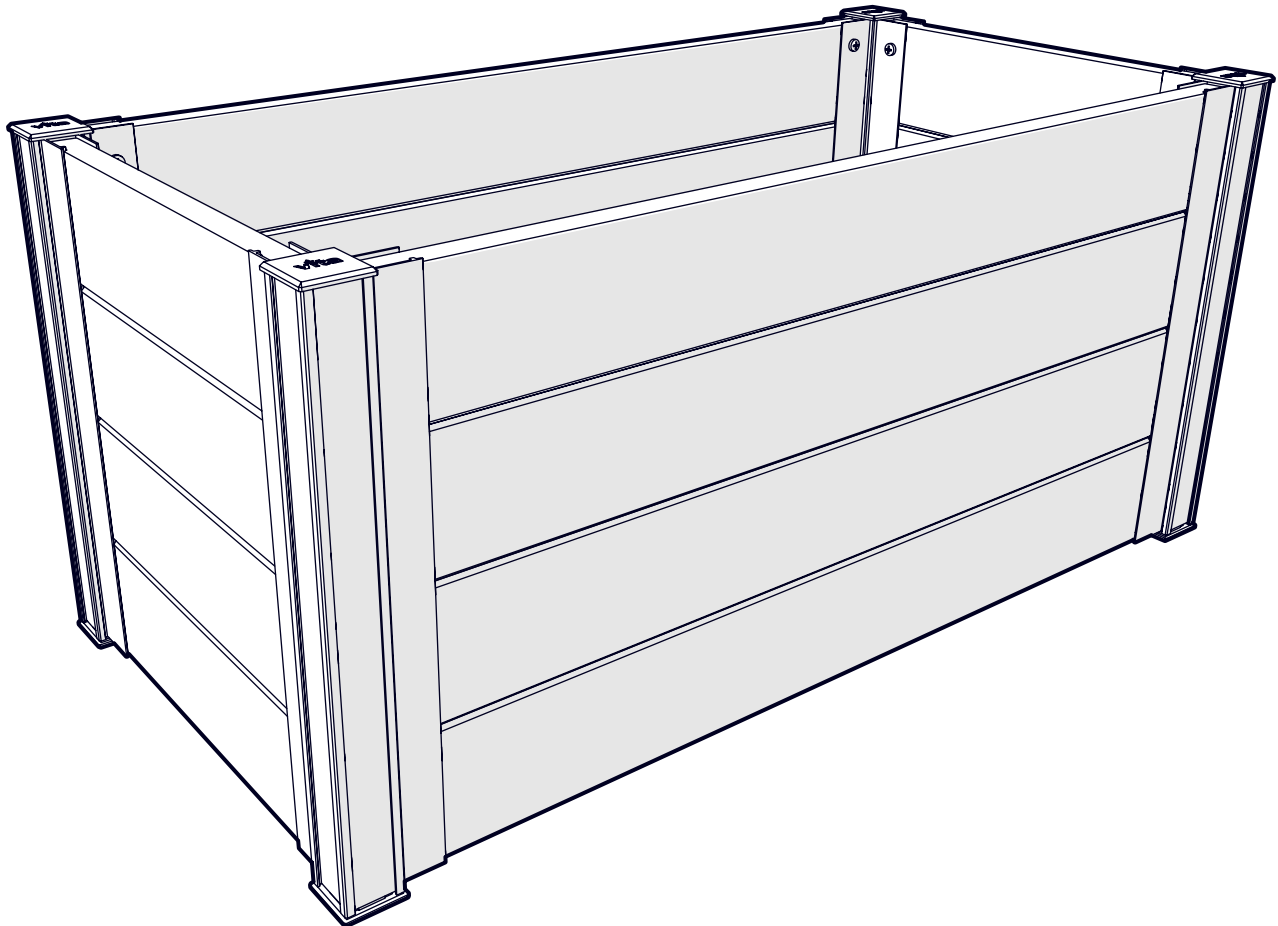
MEZZA

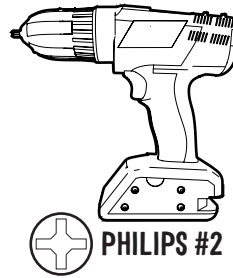
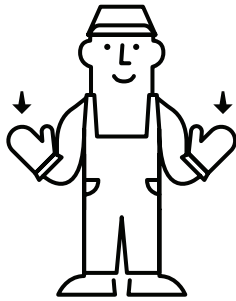
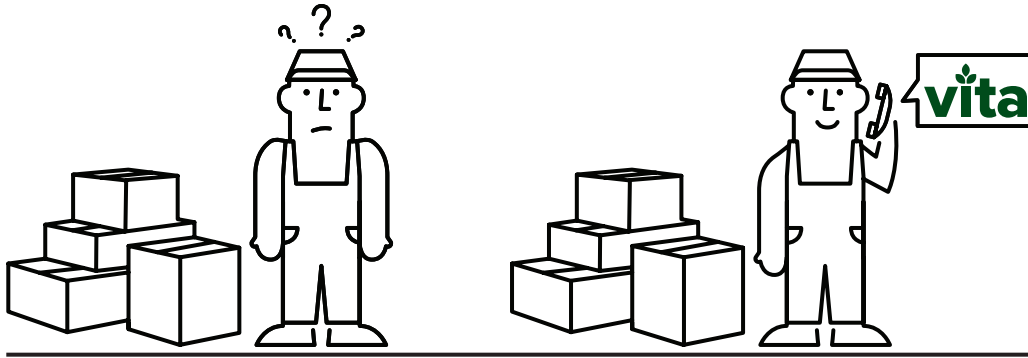
# 12X24X11 PLANTER


JARDINIÈRE 12X24X11

JARDINERA 12X24X11

VT17728





 **1-800-282-9346**



**HELLO@WEAREVITA.COM**



**WWW.WEAREVITA.COM**



**8:00AM - 5:00 PM EST**



# PARTS LIST

# LISTE DES PIÈCES

# LISTA DE PARTES



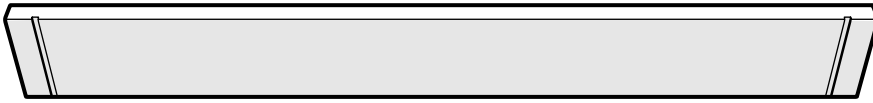
**17057**

**TOP BOARD A** - CONSEIL SUPERIEURPANEL A - ABLERO SUPERIOR A  
9 1/2" (24.2 CM) - x2



**17058**

**STACKING BOARD B** - TABLEAU DE EMPILAGE B - TABLERO DE APILAMIENTO B  
9 1/2" (24.2 CM) - x6



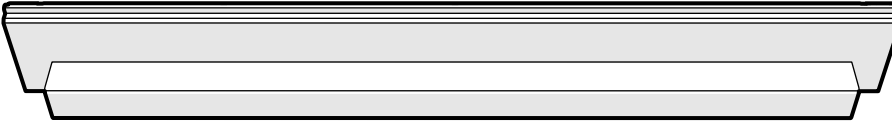
**17071**

**TOP BOARD C** - CONSEIL SUPERIEURPANEL C - ABLERO SUPERIOR C  
21 1/2" (54.7 CM) - x2



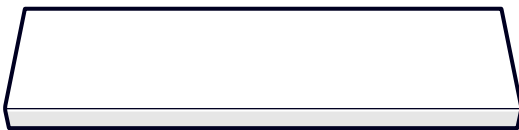
**17072**

**STACKING BOARD D** - TABLEAU DE EMPILAGE D - TABLERO DE APILAMIENTO D  
21 1/2" (54.7 CM) - x4



**17073**

**FLOOR BRACE E** - RENFORT DE PLANCHER E - SOPORTE DE PISO E  
21 1/2" (54.7 CM) - x2



**17060**

**FLOOR BOARD F** - PLANCHE D'ÉTAGE F - TABLERO DE PISO F  
10 1/8" (25.7 CM) - x5



**17062**

**FLOOR BOARD G** - PLANCHE D'ÉTAGE G - TABLERO DE PISO G  
10 1/8" (25.7 CM) - x2



**17061**

**FLOOR BOARD H** - PLANCHE D'ÉTAGE H - TABLERO DE PISO H  
10 1/8" (25.7 CM) - x1

**PARTS NOT TO SCALE PIÈCES NON À L'ÉCHELLE PARTES NO A ESCALA**

# PARTS LIST

# LISTE DES PIÈCES

# LISTA DE PARTES



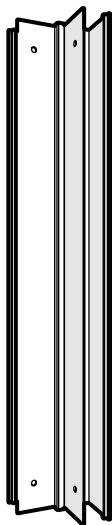
**20066**

**SCREW** - VISSER - TORNILLO  
5/8"(1.6 CM) - **x16**



**17020**

**POST CAP** - ETE DE POTEAU - TABLERO DE PISO  
1 1/4"(3.2 CM) - **x8**



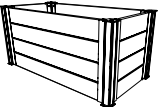
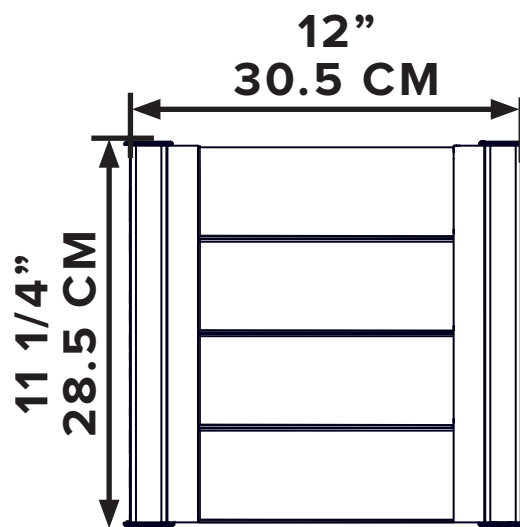
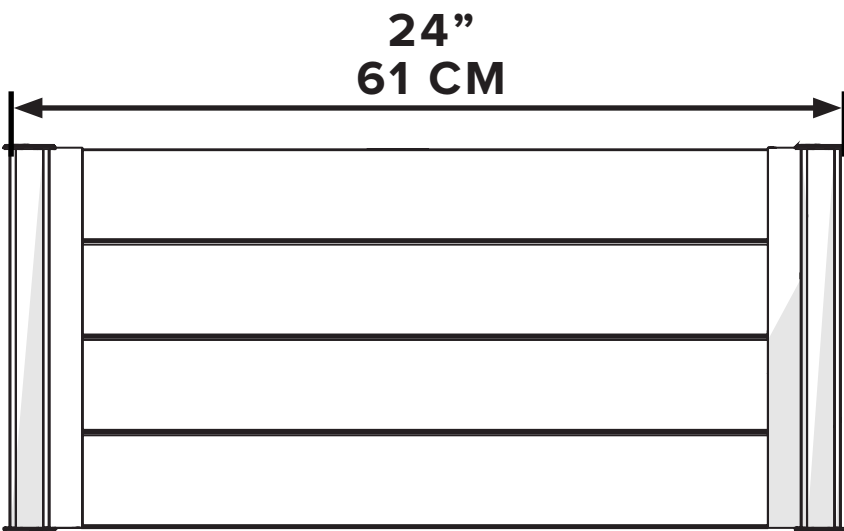
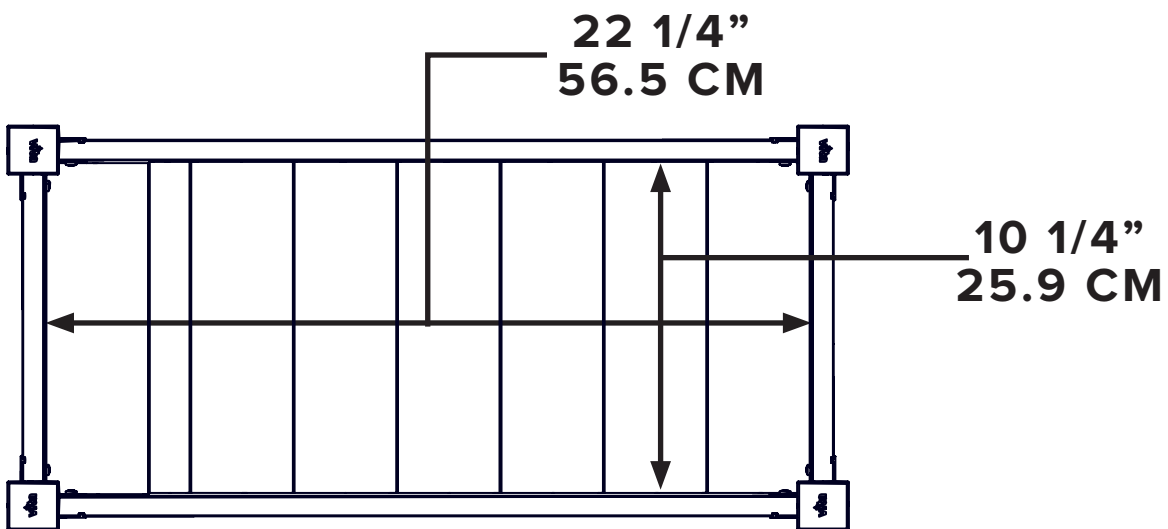
**17063**

**POST** - PUBLIER - EXPONER  
11" (27.9 CM) - **x4**


# PRODUCT DIMENSIONS

DIMENSIONS DU PRODUIT


DIMENSIONES DEL PRODUCTO



→



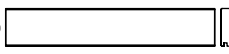
CU M ----- 0.04  
CU FT ----- 2



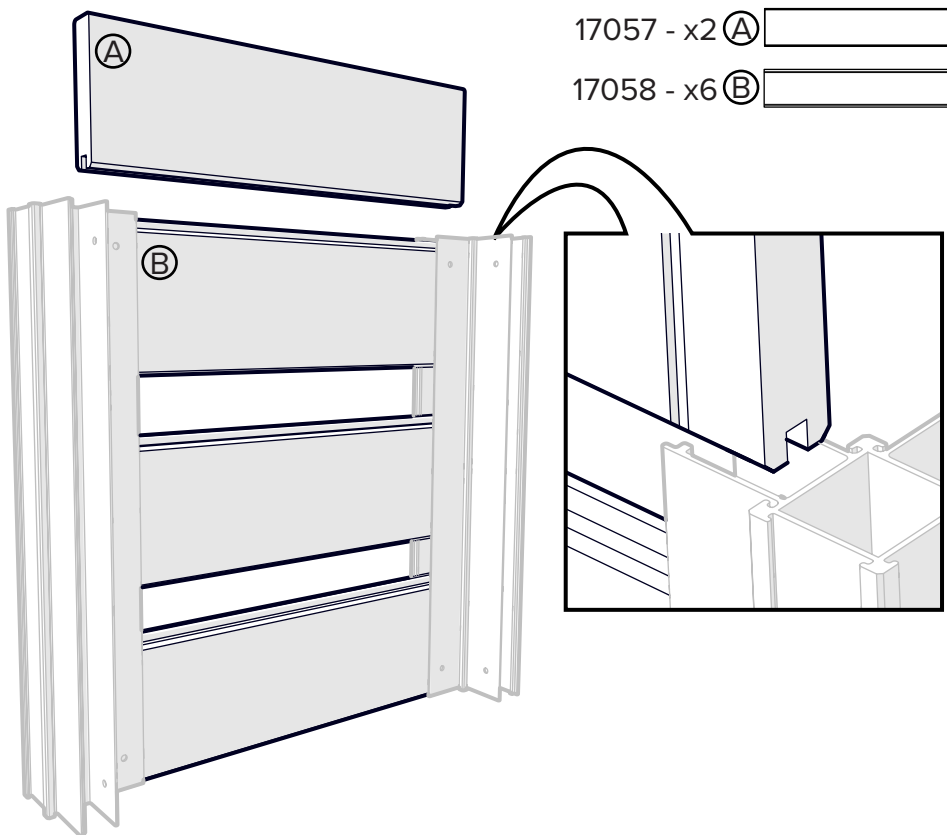
----- x2

A diagram showing a wooden crate on the left, an arrow pointing to a pile of soil or mulch on the right. Below this, the volume of the crate is listed as 0.04 CU M and 2 CU FT. At the bottom, there is an icon of a bag of soil or mulch with the text 'x2' next to it.

17063 - x4 

17057 - x2 (A) 


17058 - x6 (B) 

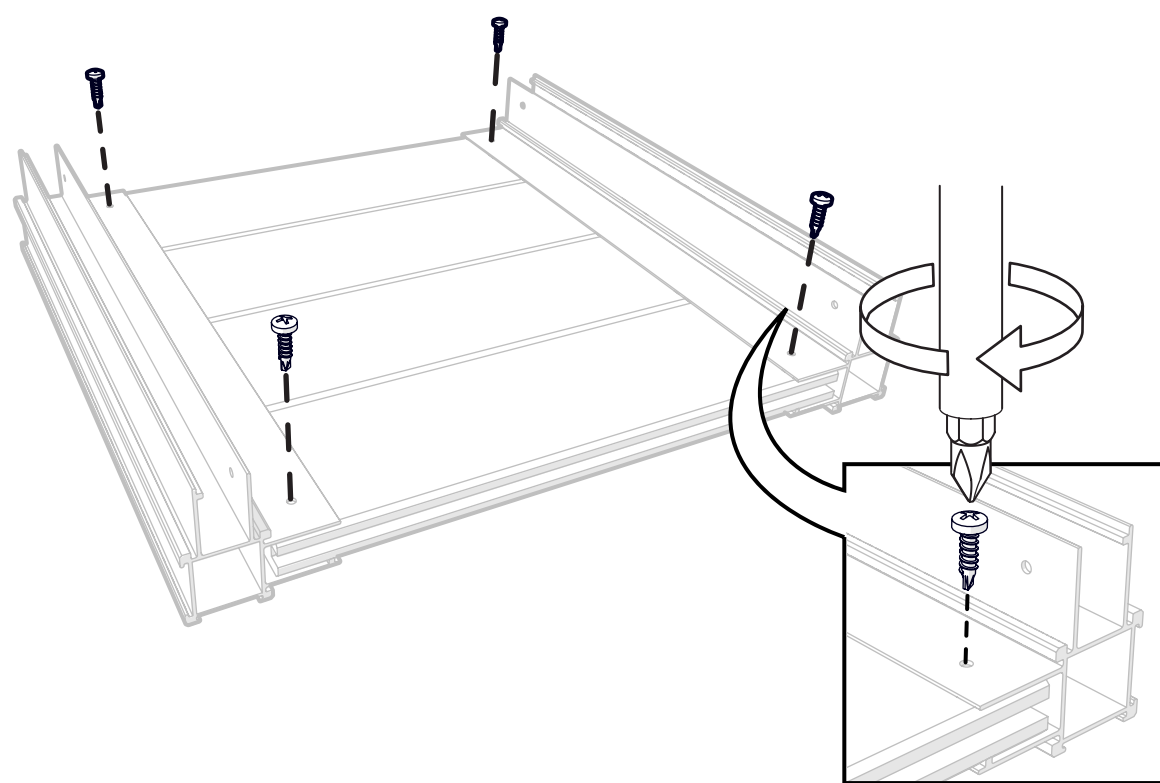


**X2**

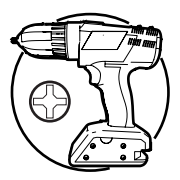


**2**

20066 - x8 



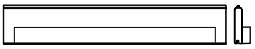
**X2**

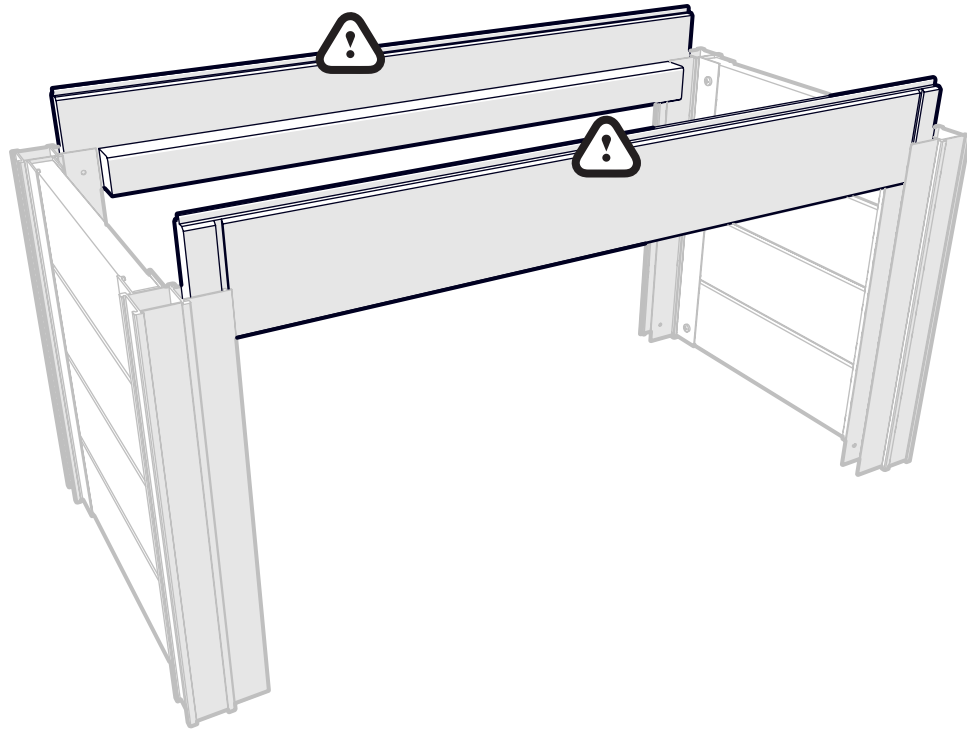


**PHILIPS #2**

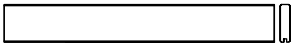


# 3

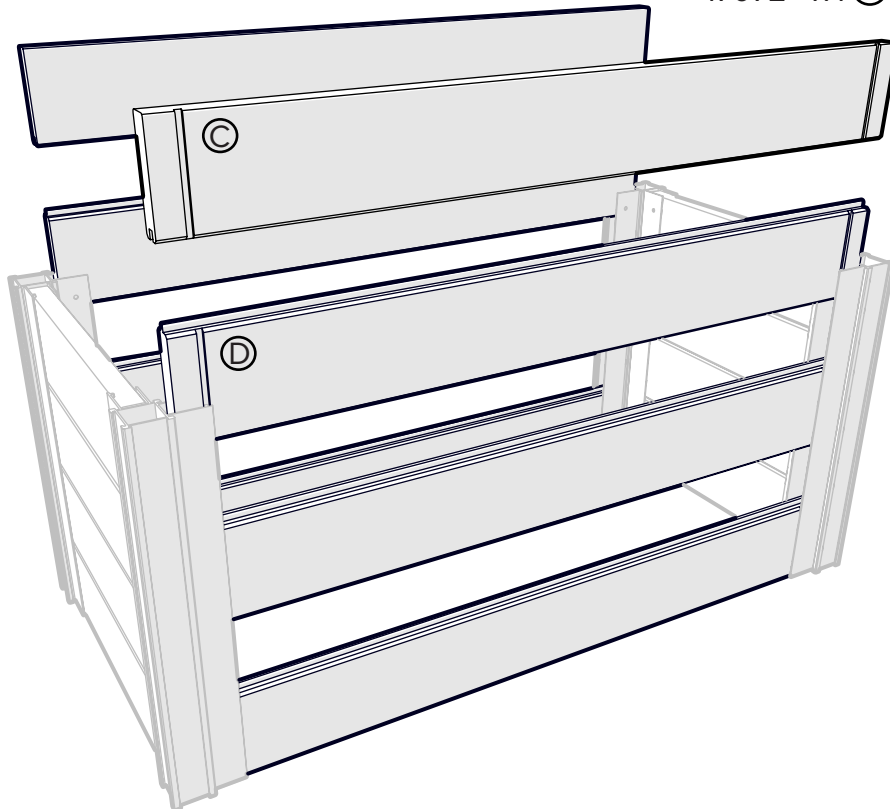
17073 - x2 



# 4

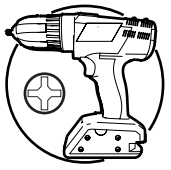
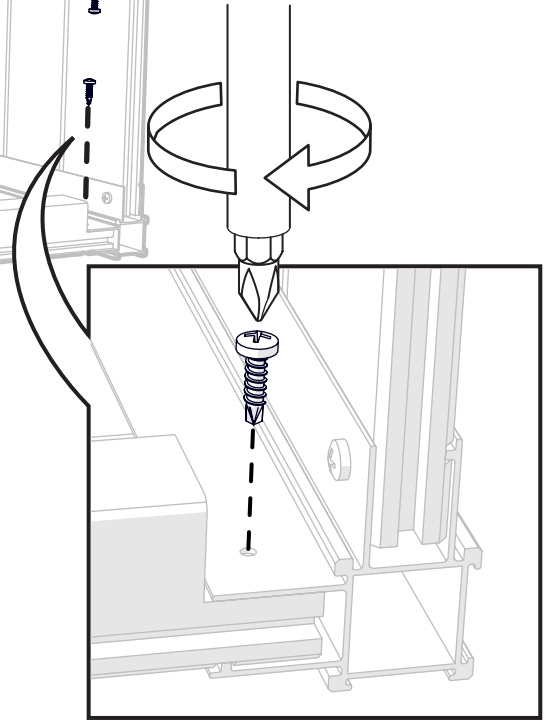
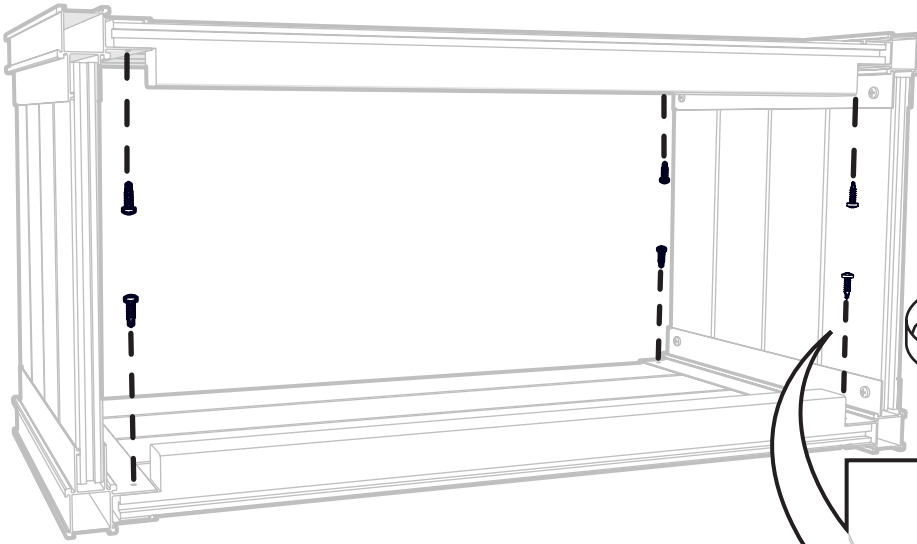
17071 - x2 

17072 - x4 



# 5

20066 - x8 



PHILIPS #2

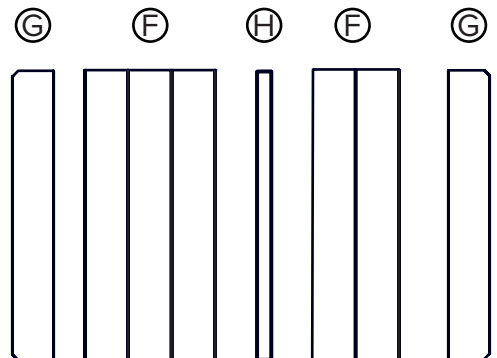
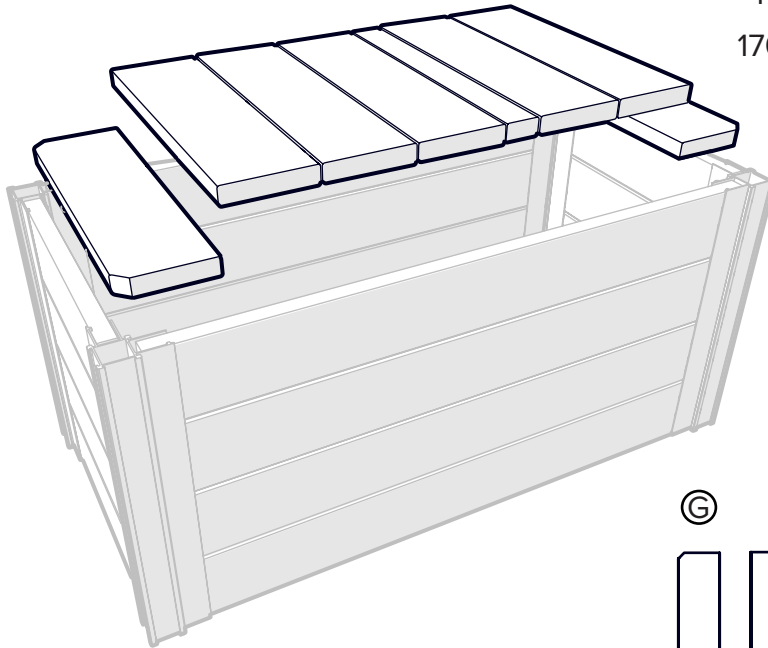


# 6

17060 - x5 

17061 - x1 

17062 - x2 





7

17020 - x8 

