



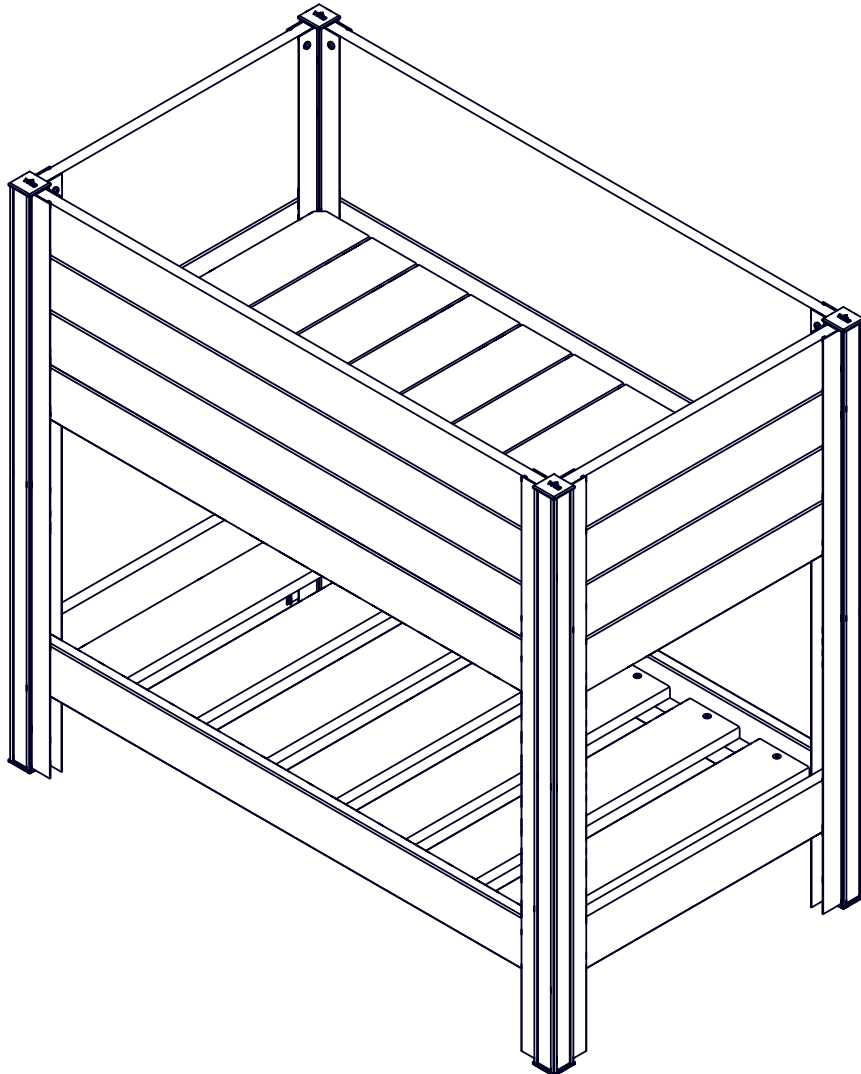
**ASSEMBLY GUIDE  
GUIDE DE MONTAGE  
GUÍA DE MONTAJE**

**MEZZA**

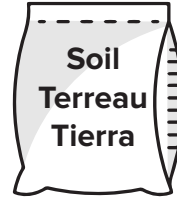
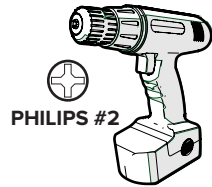
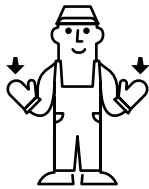
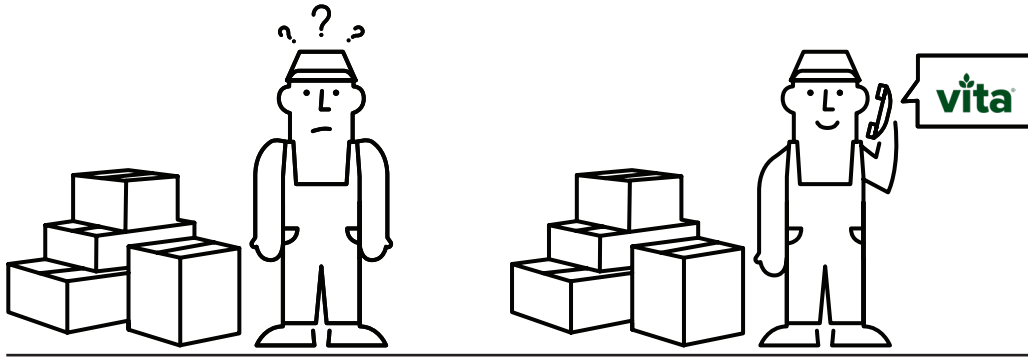
# **SPROUT FARM**

**FERME DE GERMINATION  
GRANJA DE BROTES**

**VT17719**



**V 1.0 | JUNE 25, 2021**



REQUIRED TOOLS AND MATERIALS (NOT INCLUDED)  
OUTILS ET MATÉRIAUX REQUIS (NON INCLUS)  
HERRAMIENTAS Y MATERIALES REQUERIDOS (NO INCLUIDOS)

72 L (Liters)  
or  
2.5 Ft<sup>3</sup> (Cubic Feet)



1-800-282-9346



HELLO@WEAREVITA.COM



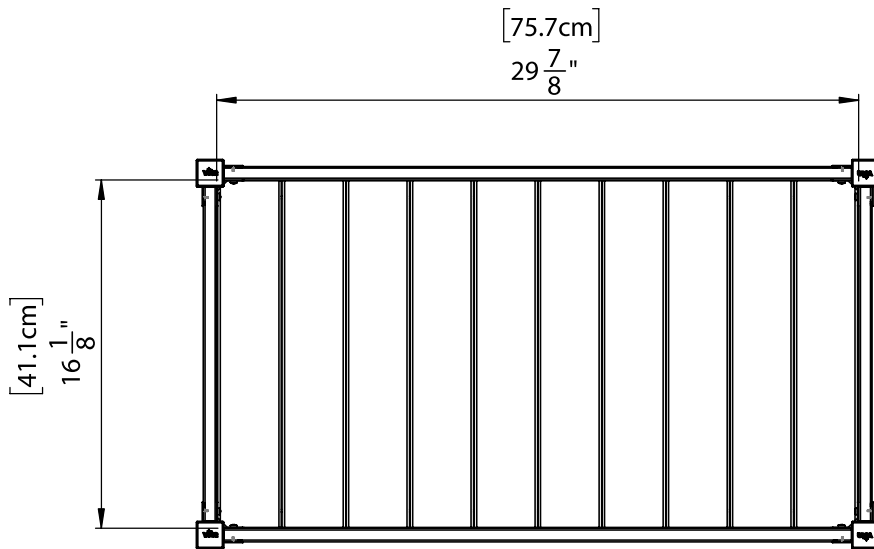
WWW.WEAREVITA.COM



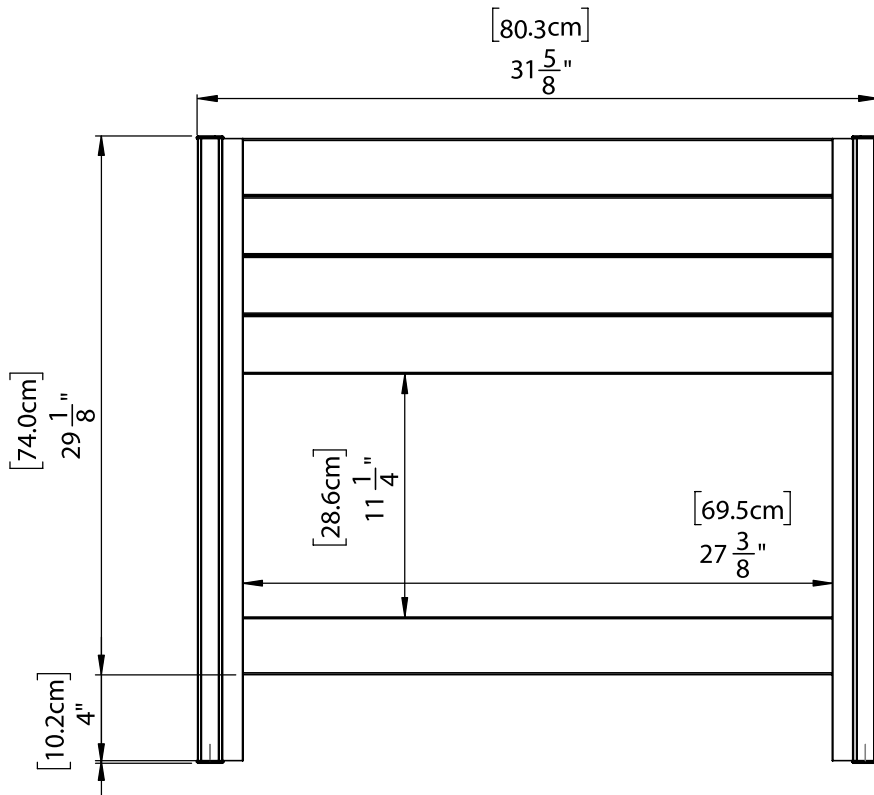
MONDAY - FRIDAY  
8:00 AM - 5:00 PM EST



TOP VIEW

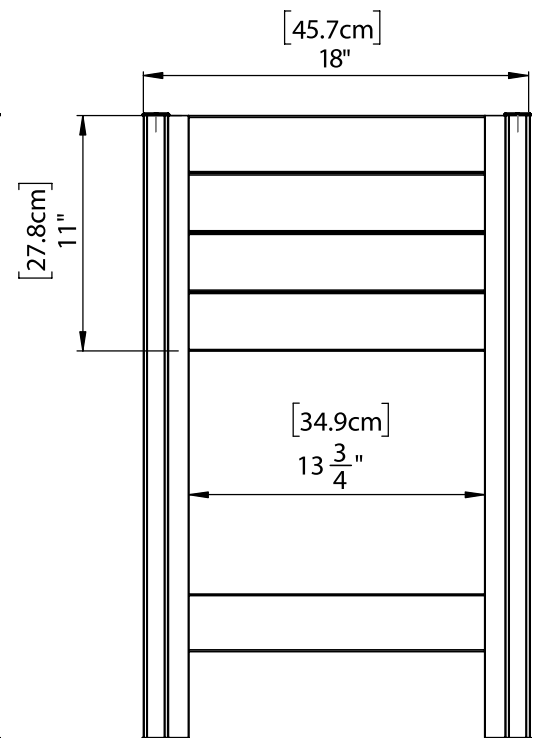


[80.3cm]  
31 <sup>5</sup>/<sub>8</sub>"



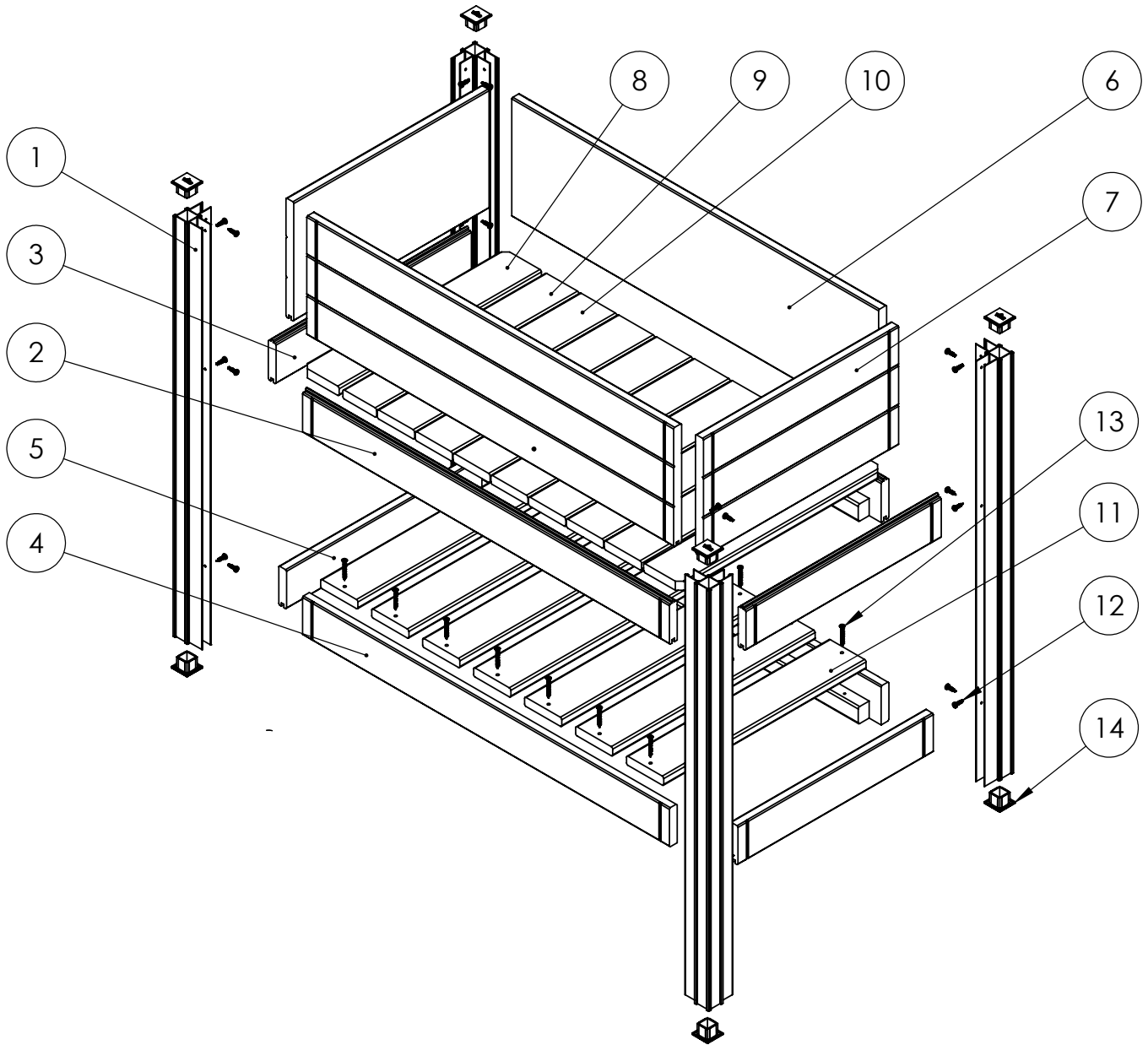
FRONT VIEW

[45.7cm]  
18"



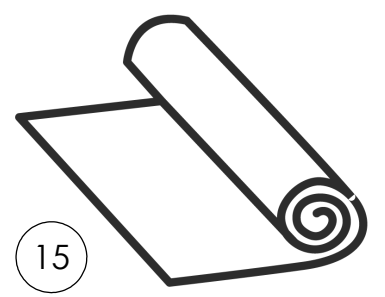
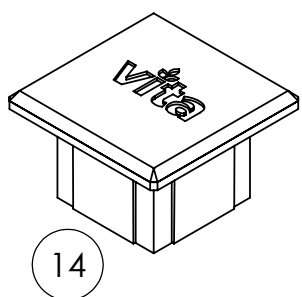
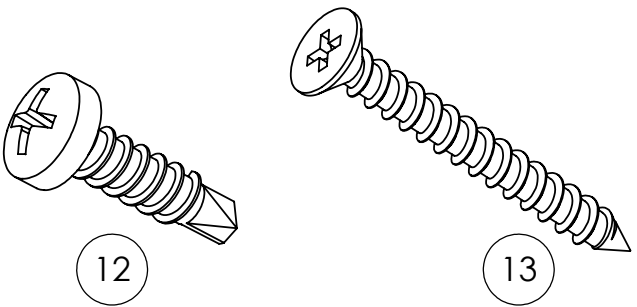
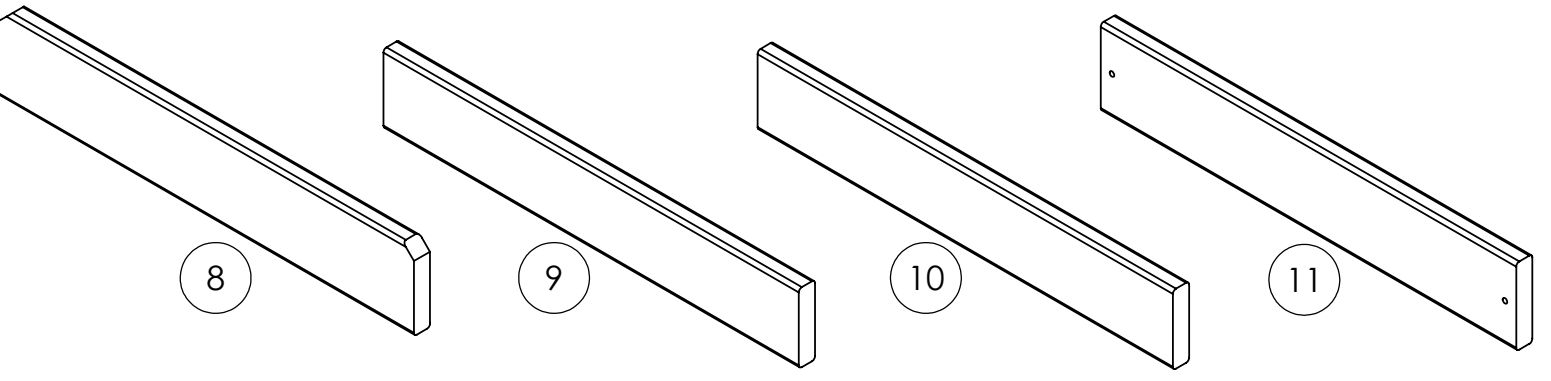
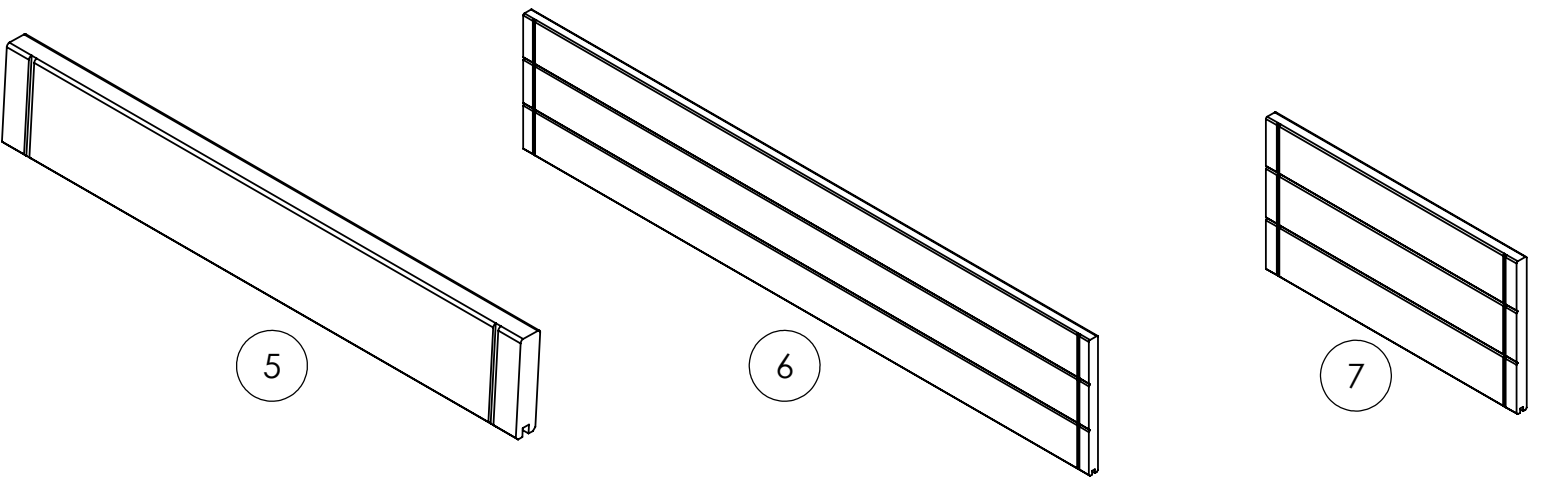
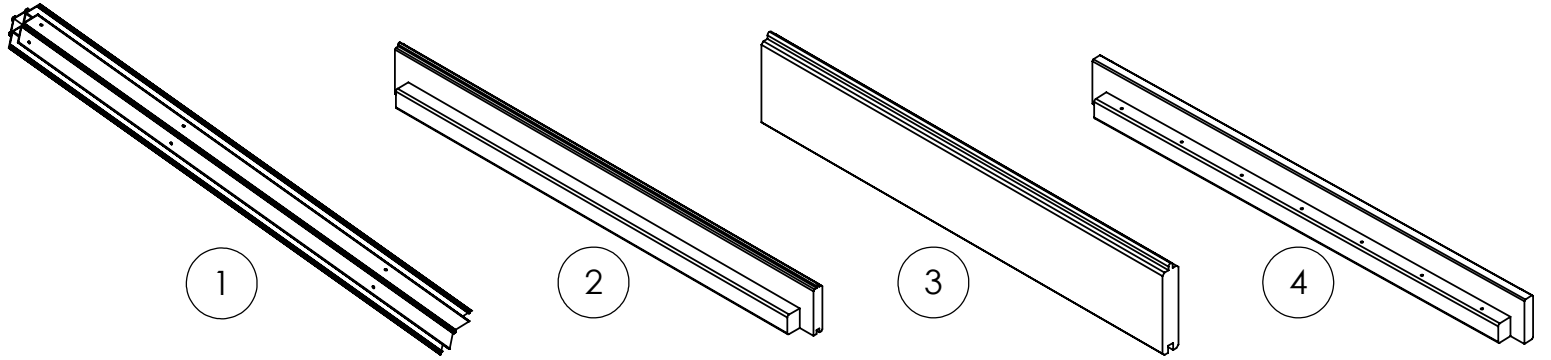
SIDE VIEW

## PARTS LIST



ITEM NO.	Part Number	Description	Dimensions	QTY.
1	17409	Post	28 7/8" (73.4cm)	4
2	17431	Long Floor Support	29 1/8" (74cm)	2
3	17432	Short Floor Support	15 1/2" (39.4cm)	2
4	17433	Long Shelf Support	29 1/8" (74cm)	2
5	17434	Short Shelf Support	15 1/2" (39.4cm)	2
6	17435	Long Wall Panel	29 1/8" (74cm)	2
7	17436	Short Wall Panel	15 1/2" (39.4cm)	2
8	17437	Corner Floor Board	16" (40.8cm)	2
9	17439	Narrow Floor Board	16" (40.8cm)	1
10	17438	Center Floor Board	16" (40.8cm)	7
11	17412	Shelf Board	16" (40.8cm)	7
12	20066	Round Head Screw	5/8" (1.6cm)	24
13	21007	Flat Top Screw	1 3/8" (3.5cm)	14
14	17020	Post Cap		8
15	21010	Liner		1

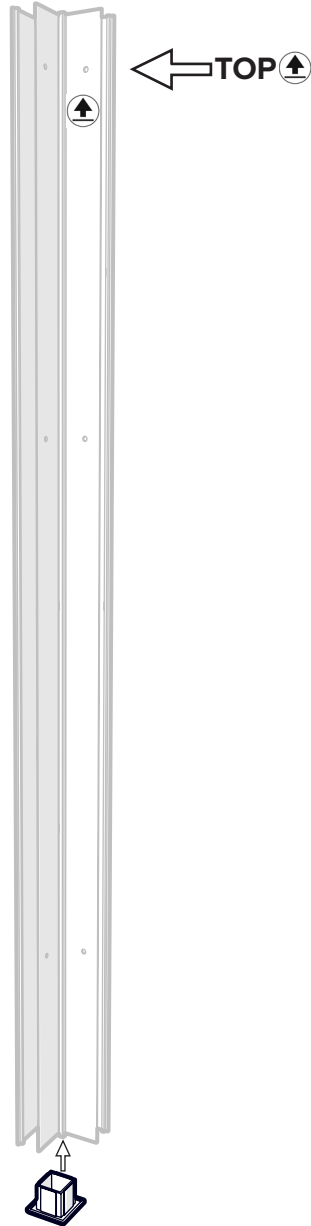
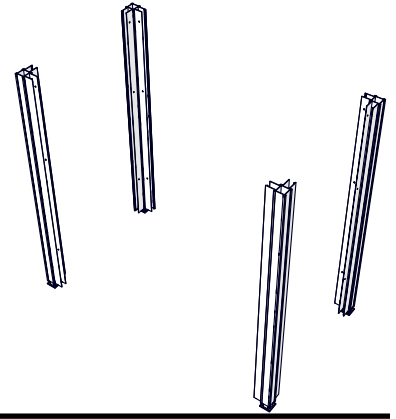
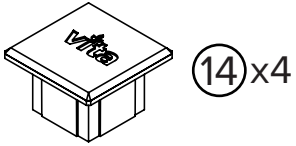
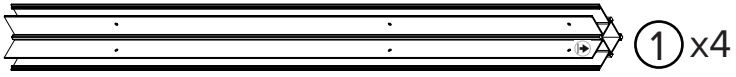
# PARTS LIST



# ATTACH THE CAPS TO THE BOTTOM OF THE POST

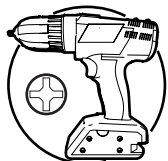
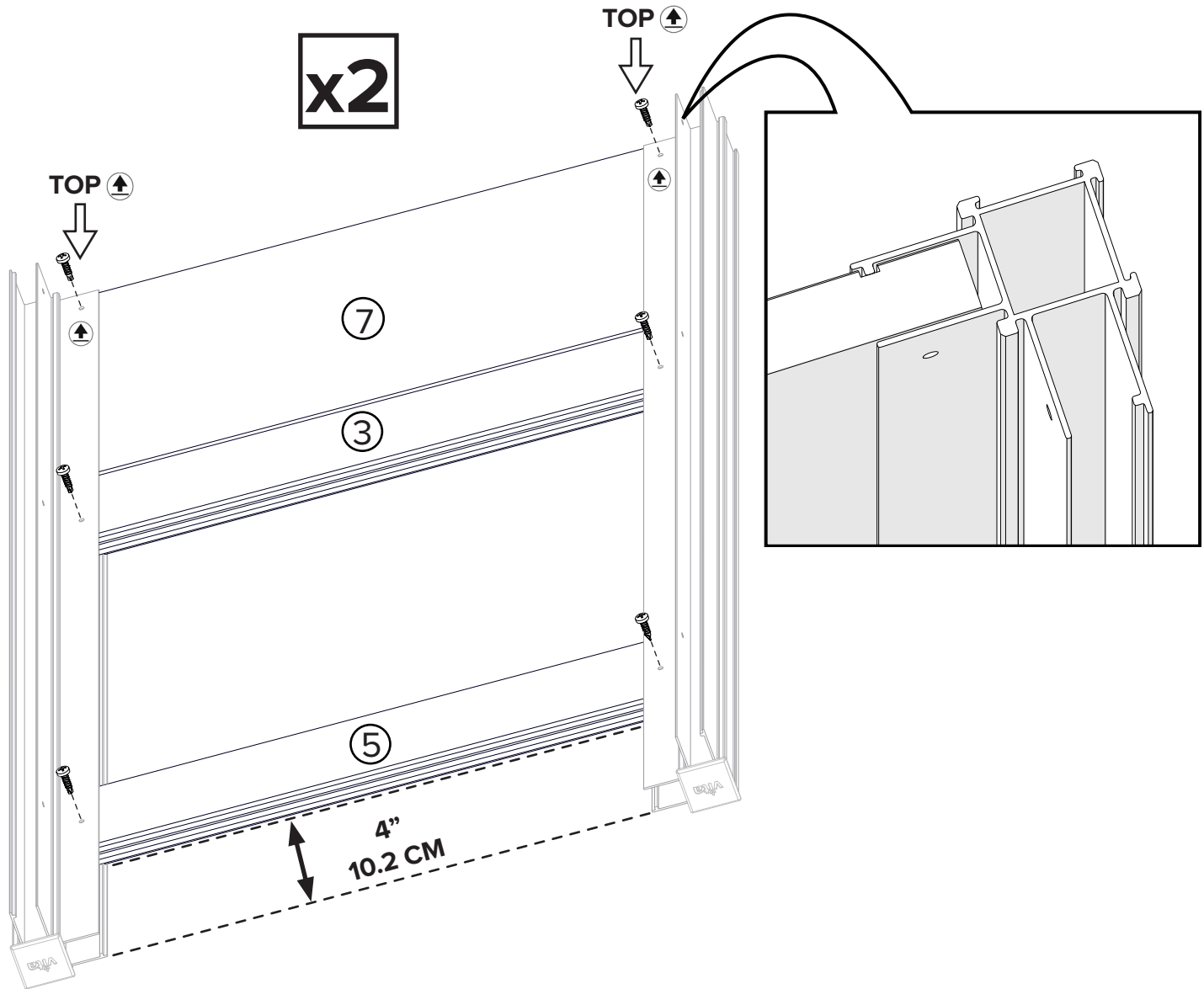
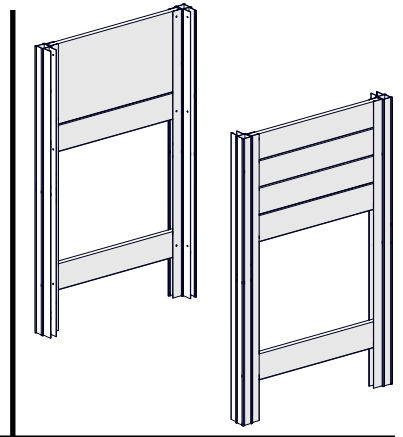
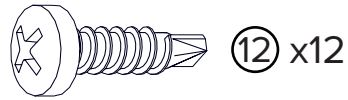
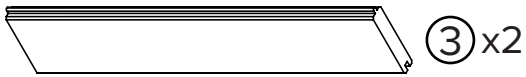
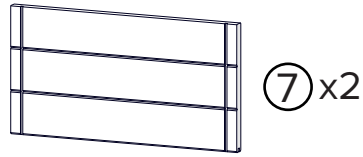
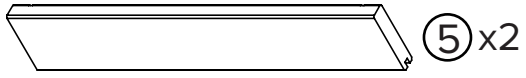
INSÉREZ LES EMBOUTS AU BAS DES POTEAUX

COLOQUE LAS TAPAS EN LOS EXTREMOS INFERIORES DE LOS POSTES



## 2 INSTALL THE FLOOR AND SHELF SUPPORT, AND THE SHORT WALL PANEL

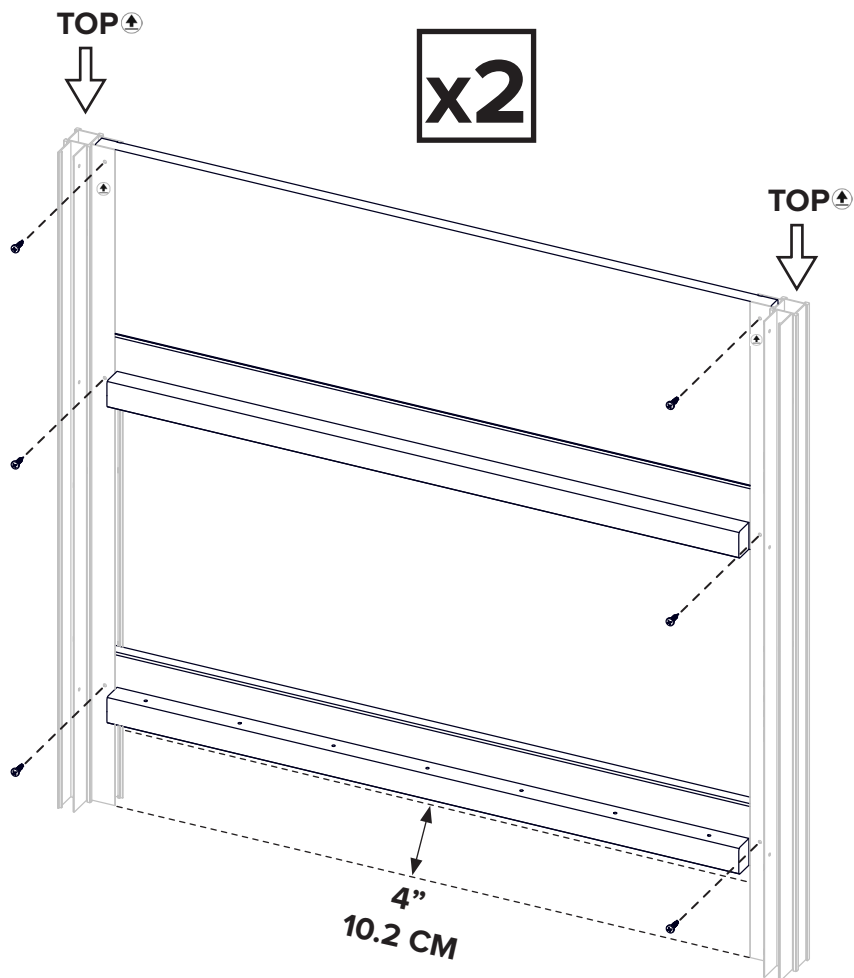
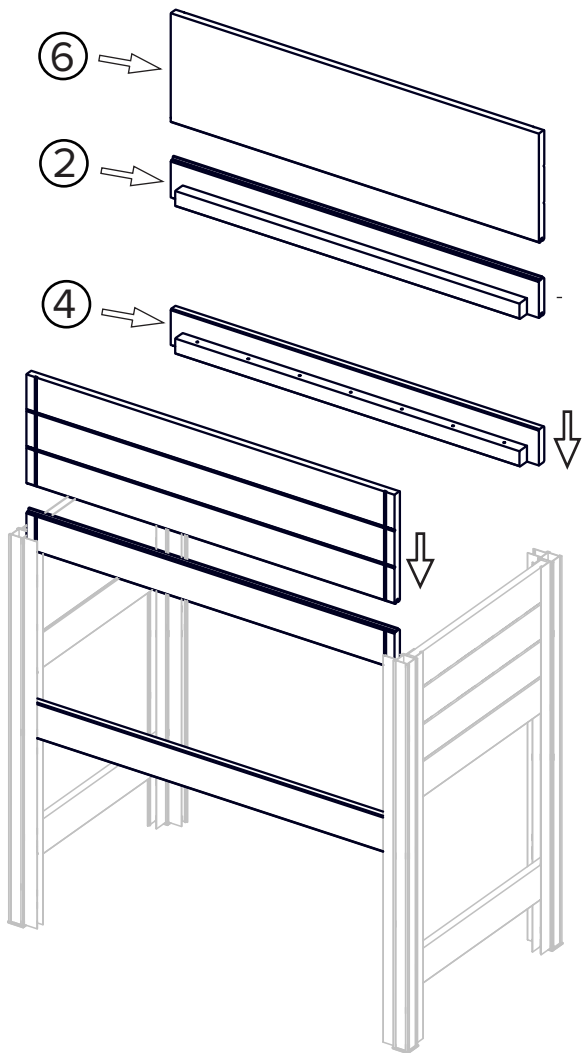
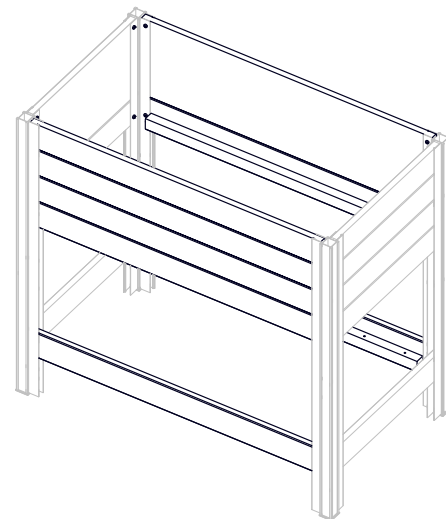
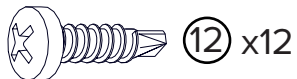
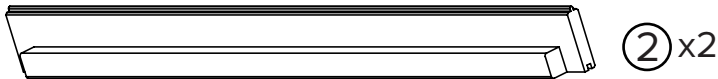
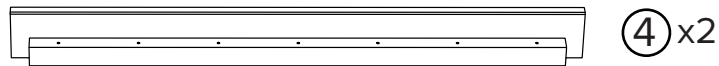
INSTALLEZ LE SUPPORT DE SOL ET D'ÉTAGÈRE, ET LE PANNEAU MURAL COURT.  
INSTALE EL SOPORTE DE PISO Y EL SOPORTE DE LA REPISA, Y EL PANEL DE PARED CORTO.



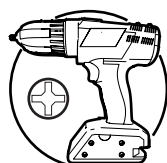
PHILIPS #2

### 3 INSTALL THE FLOOR AND SHELF SUPPORTS, AND THE LONG WALL PANEL

INSTALLEZ LES SUPPORTS DE SOL ET D'ÉTAGÈRE, ET LE LONG PANNEAU MURAL  
INSTALE LOS SOPORTES DEL PISO Y DE LAS REPISAS, Y EL PANEL LARGO.



8

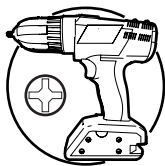
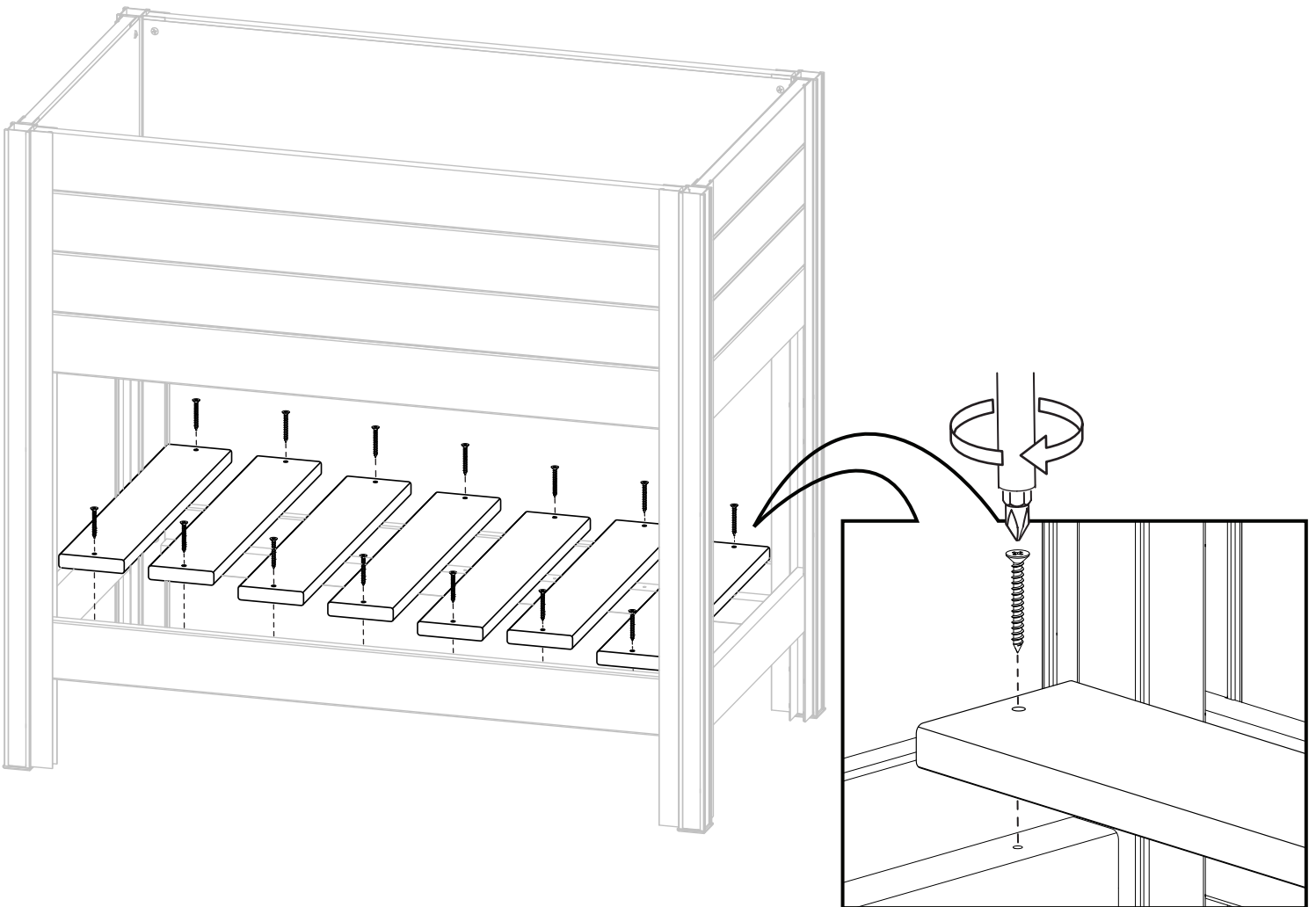
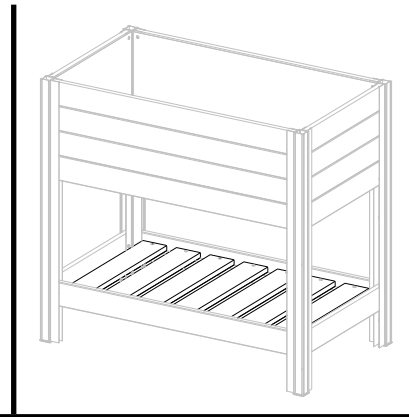
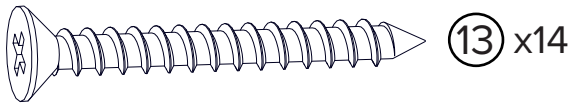
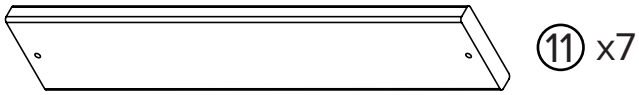


PHILIPS #2



# 4 PLACE AND SECURE THE SHELF BOARDS

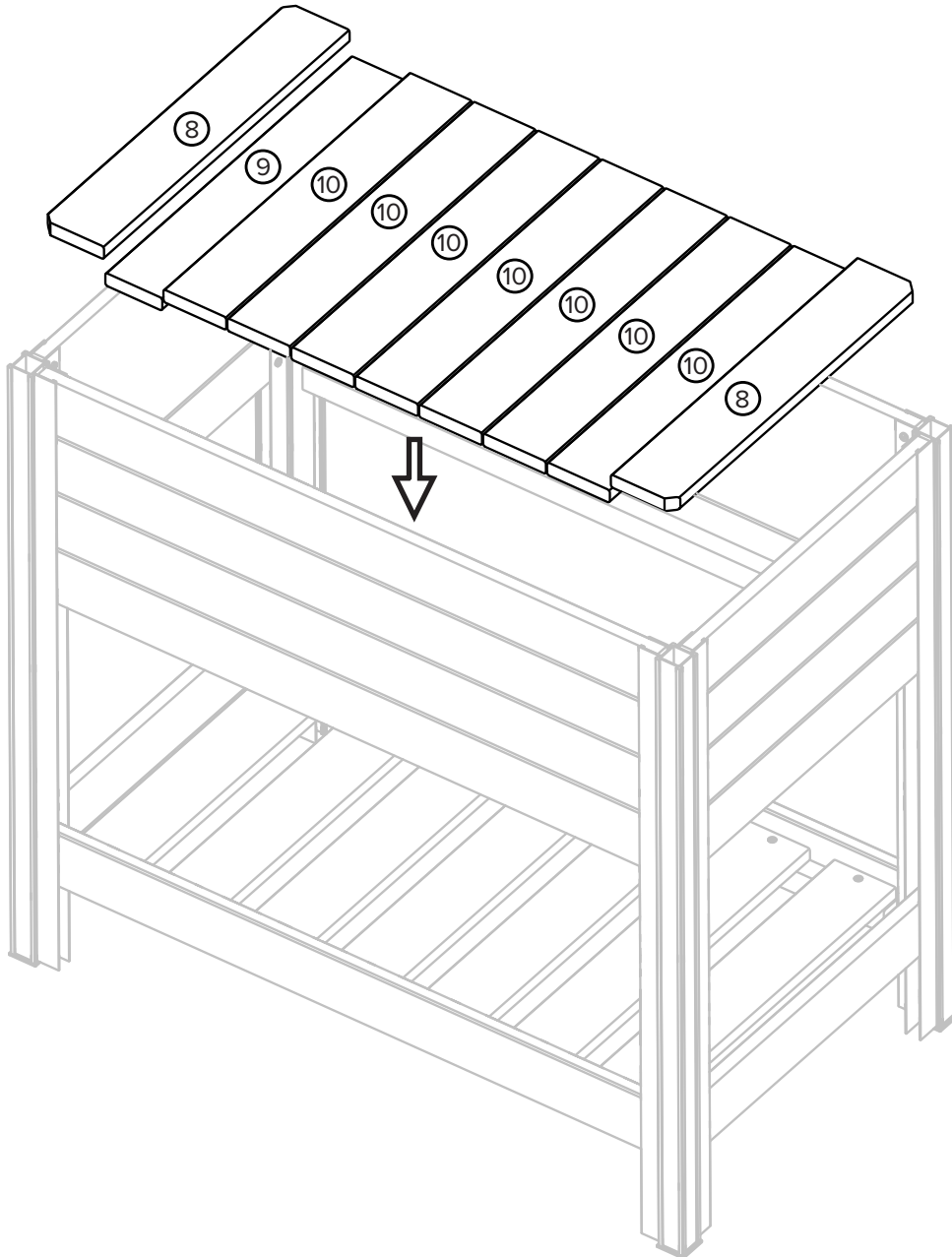
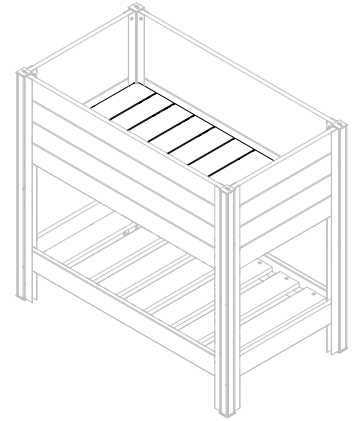
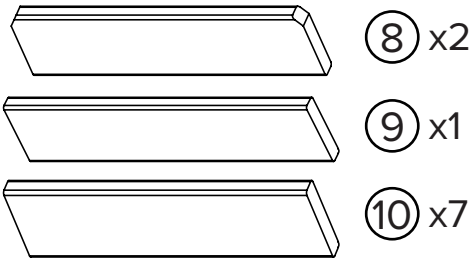
POSITIONNEZ ET FIXEZ LES PLANCHES DES ÉTAGÈRES  
COLOQUE Y ASEGURE LAS TABLAS DEL ESTANTE



PHILIPS #2

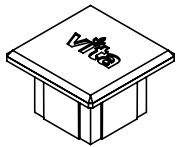
# 5 PLACE DOWN THE FLOOR BOARDS

METTEZ EN PLACE LES PLANCHES DU PLANCHER  
COLOQUE LAS TABLAS DE LA BASE

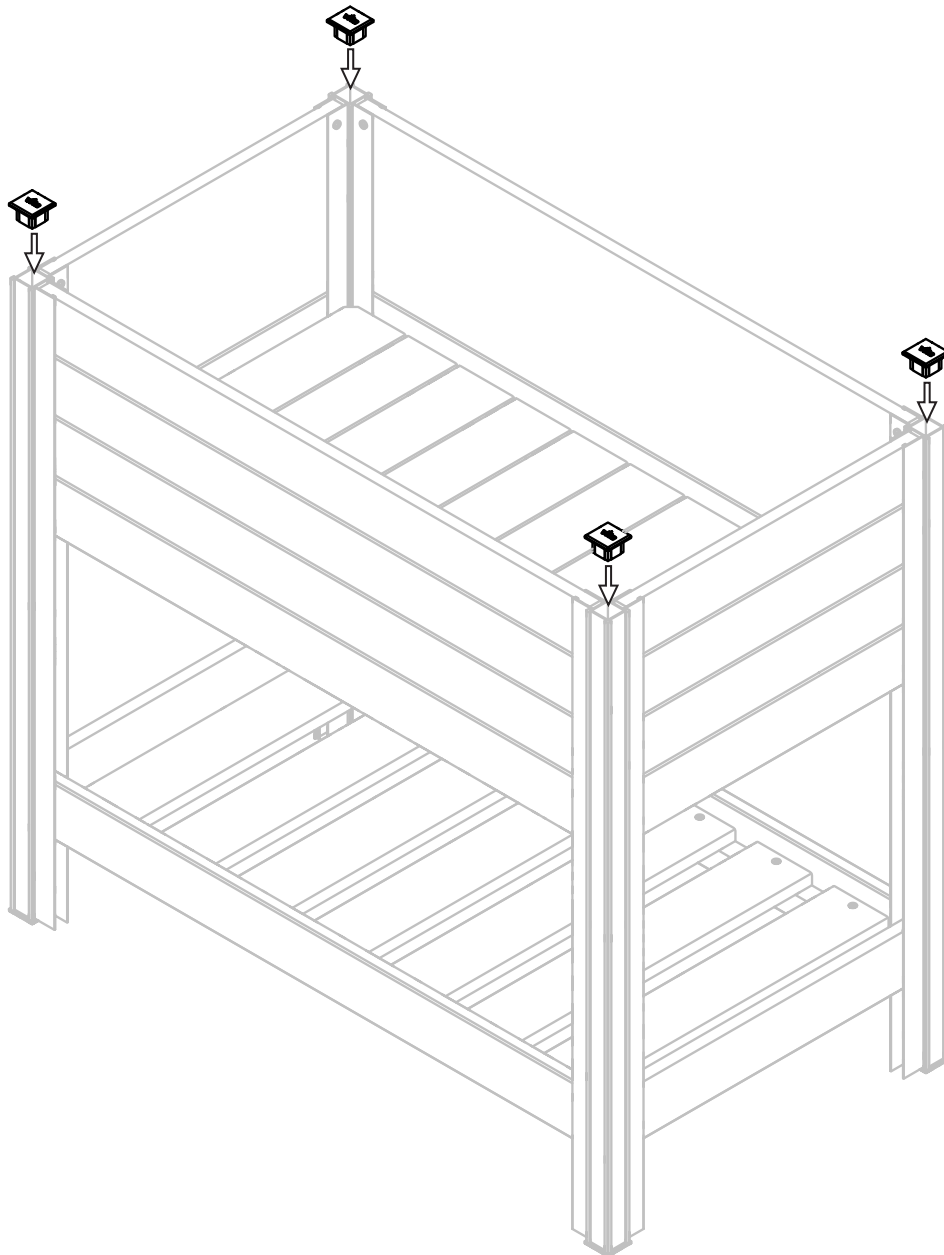
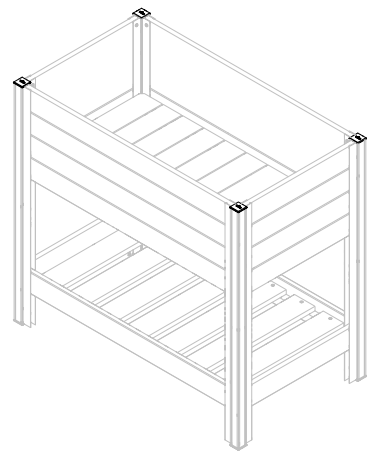


# 6 ATTACH THE POST CAPS

INSÉREZ LES EMBOUTS DE POTEAUX  
COLOQUE LAS TAPAS EN LOS POSTES

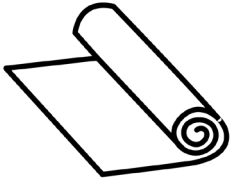


14 x4



# 7 INSERT THE LINER

METTEZ EN PLACE LE FILM DE DOUBLAGE  
INTRODUZCA EL REVESTIMIENTO



⑮ x1

