



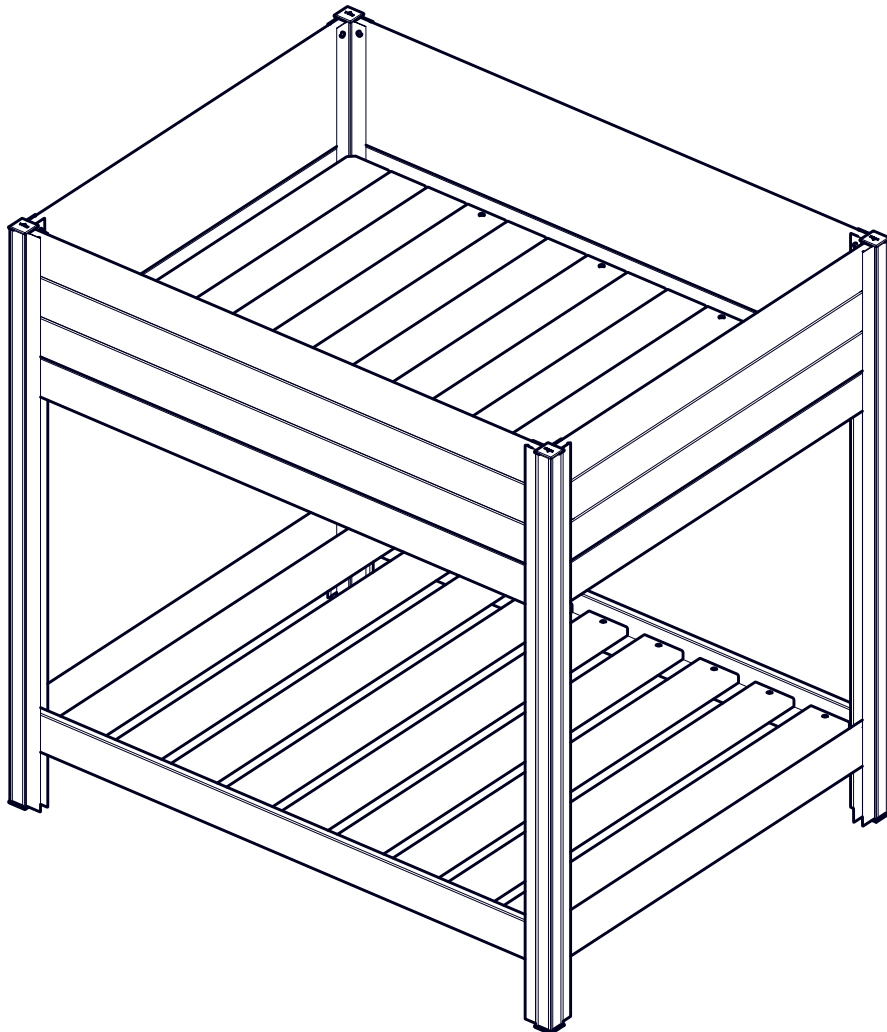
**ASSEMBLY GUIDE  
GUIDE DE MONTAGE  
GUÍA DE MONTAJE**

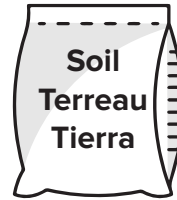
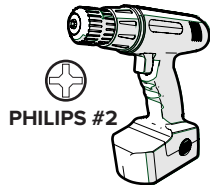
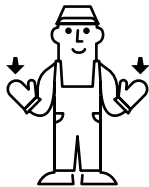
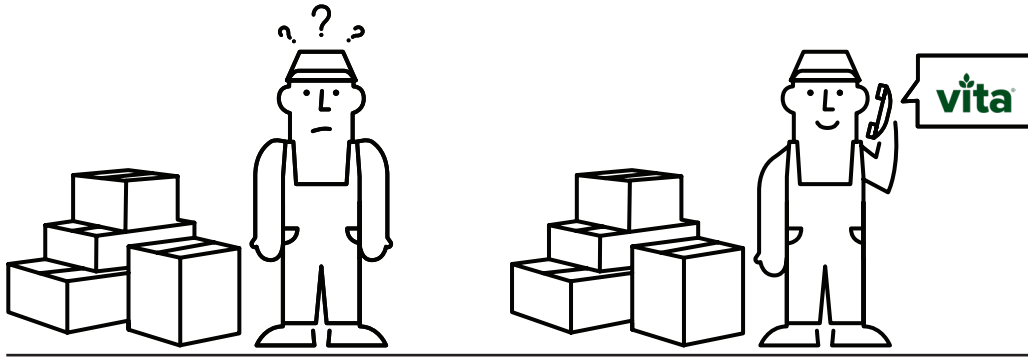
**MEZZA**

# **VEG FARM**

**FERME VÉGÉTARIENNE  
GRANJA DE VERDURAS**

**VT17717**





REQUIRED TOOLS AND MATERIALS (NOT INCLUDED)  
OUTILS ET MATÉRIAUX REQUIS (NON INCLUS)  
HERRAMIENTAS Y MATERIALES REQUERIDOS (NO INCLUIDOS)

**171 L (Liters)  
or  
6 Ft<sup>3</sup> (Cubic Feet)**



**1-800-282-9346**



**HELLO@WEAREVITA.COM**



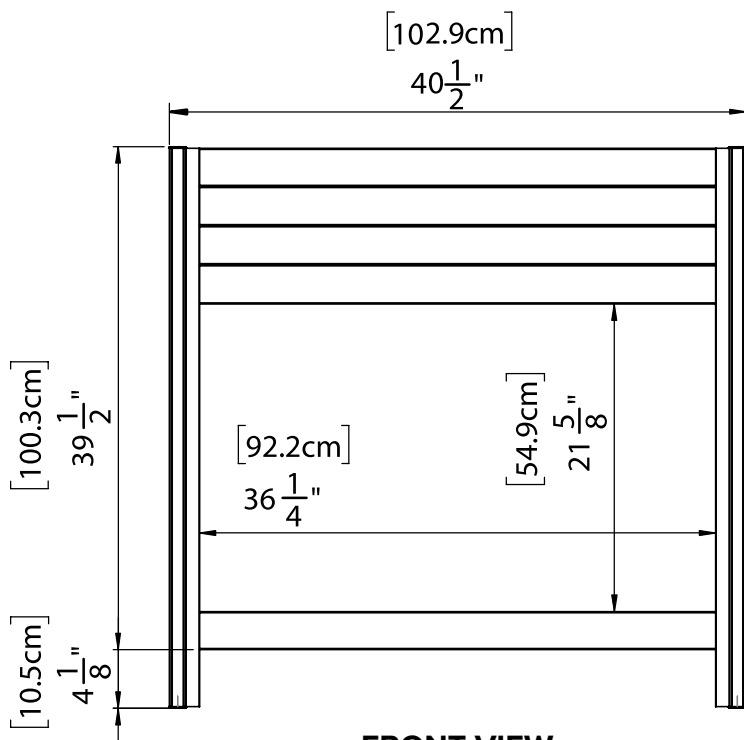
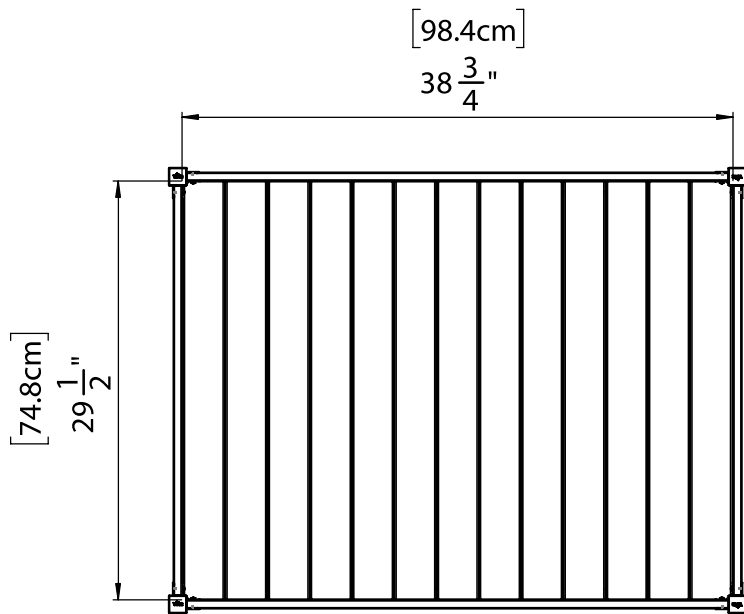
**WWW.WEAREVITA.COM**



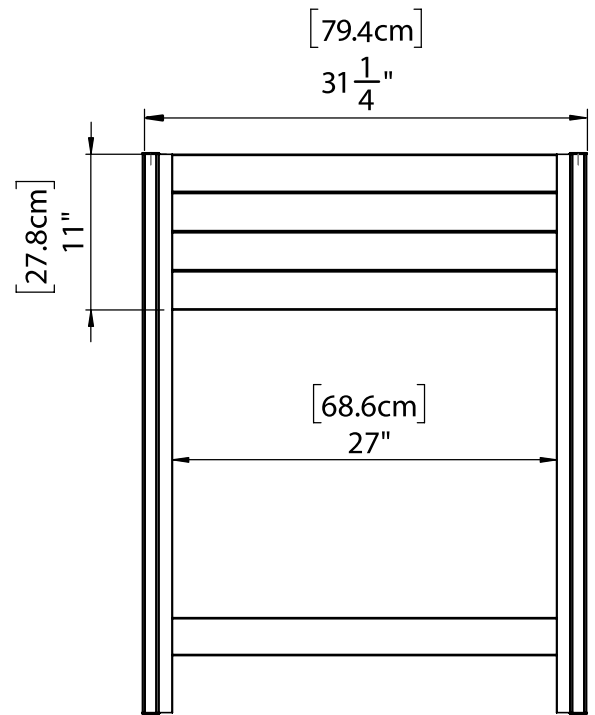
**MONDAY - FRIDAY  
8:00 AM - 5:00 PM EST**



TOP VIEW



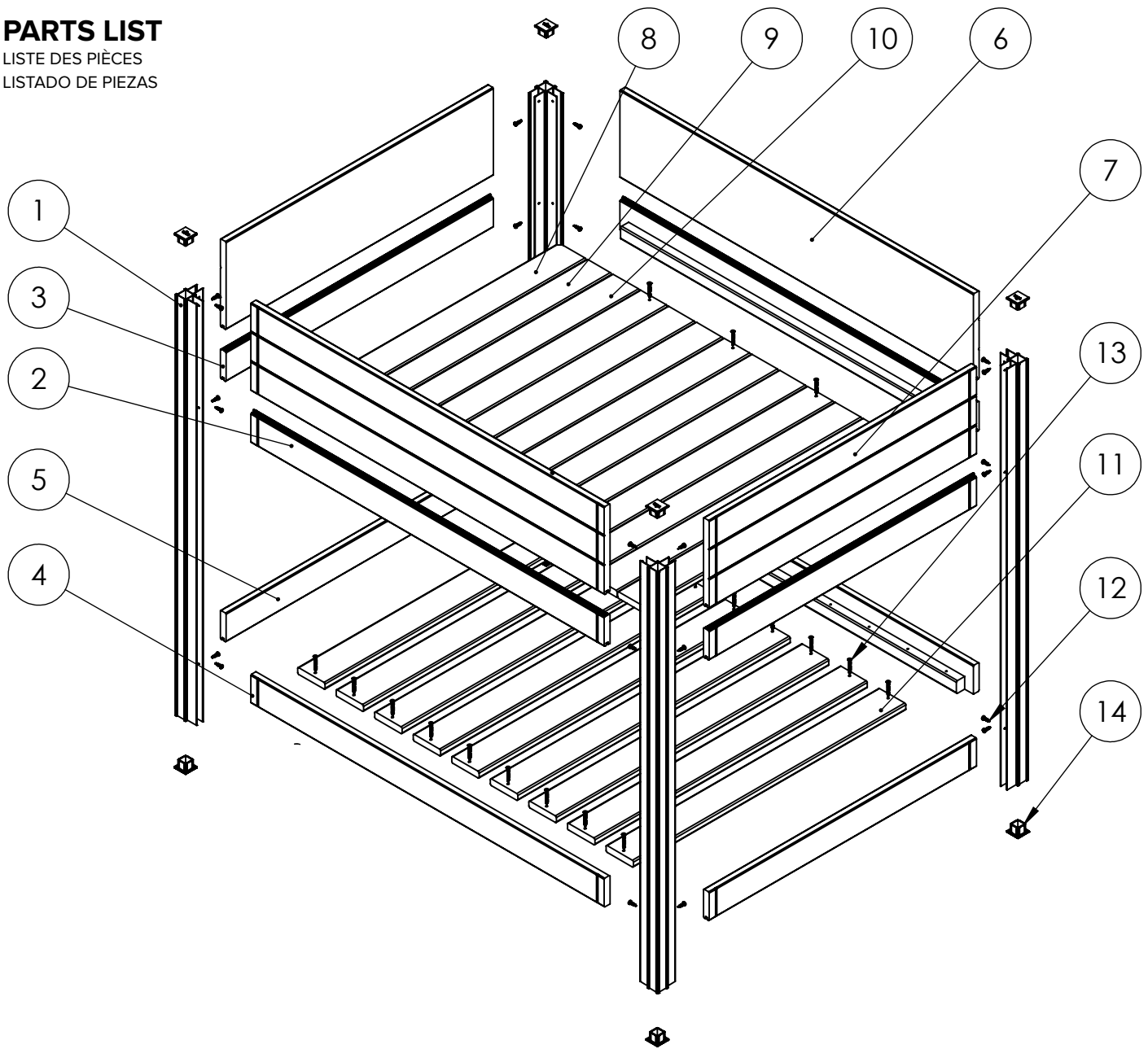
FRONT VIEW



SIDE VIEW

# PARTS LIST

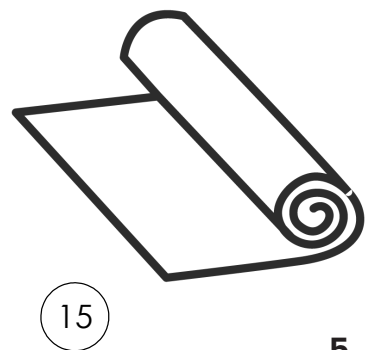
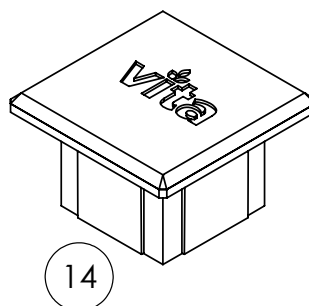
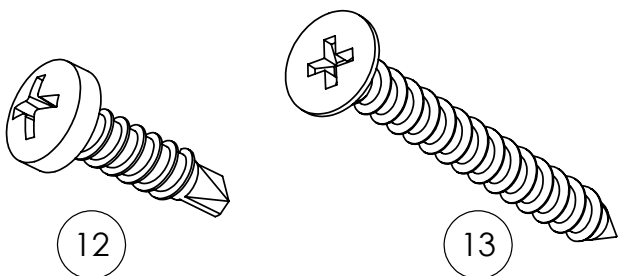
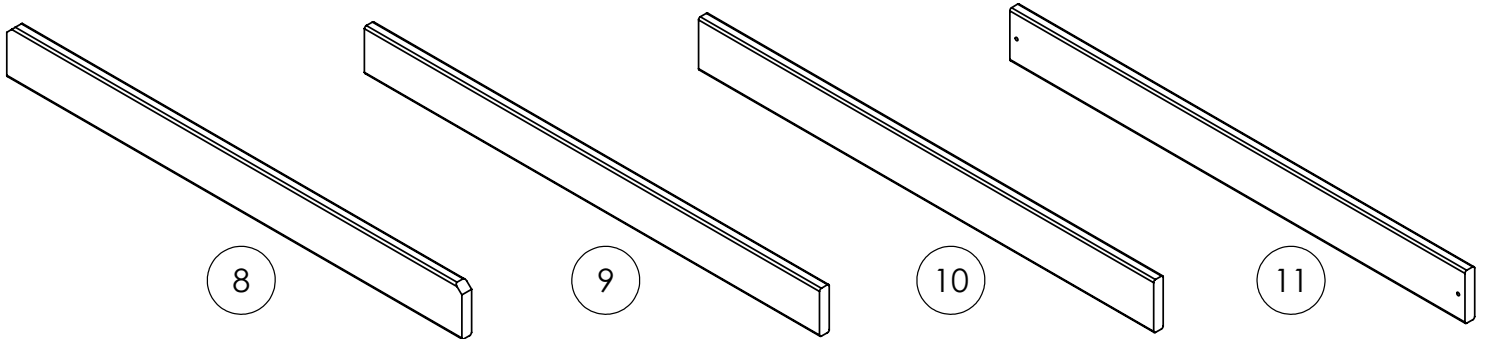
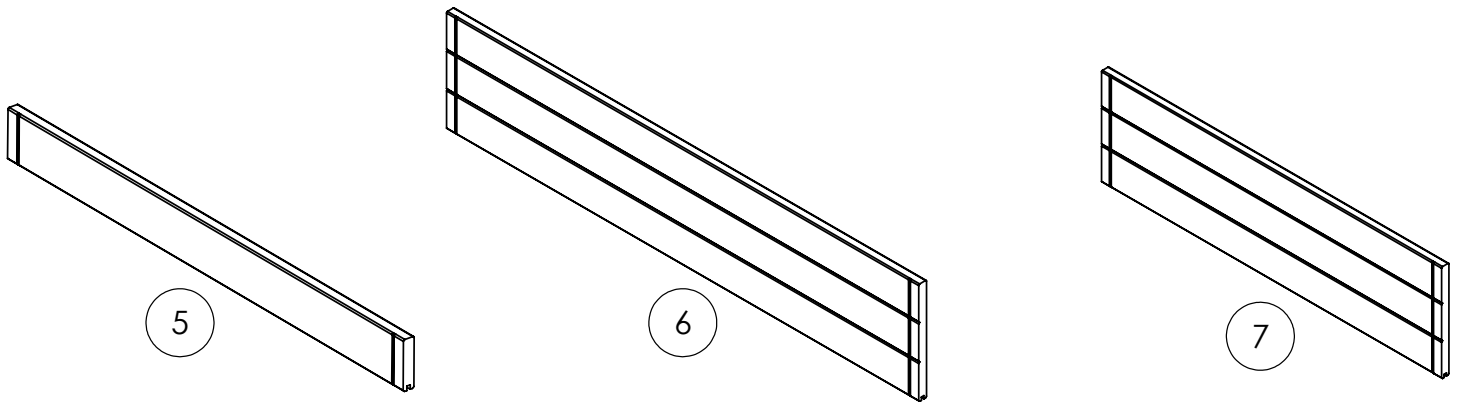
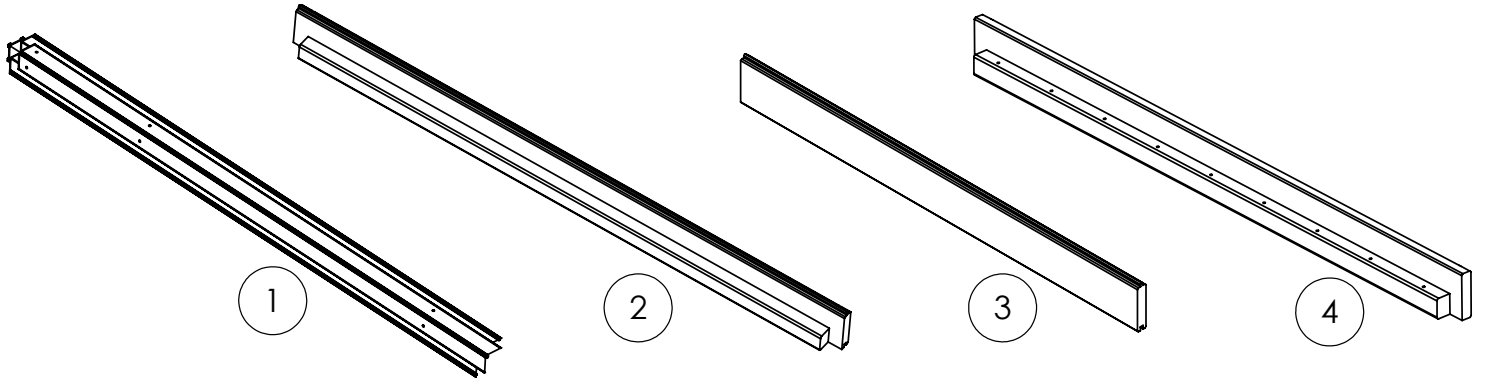
LISTE DES PIÈCES  
LISTADO DE PIEZAS



ITEM NO.	Part Number	Description	Dimensions	QTY.
1	17427	Post	39 1/4" (99.7cm)	4
2	17747	Long Floor Support	38" (96.7cm)	2
3	17425	Short Floor Support	28 3/4" (73cm)	2
4	17426	Long Shelf Support	38" (96.7cm)	2
5	17423	Short Shelf Support	28 3/4" (73cm)	2
6	17748	Long Wall Panel	38" (96.7cm)	2
7	17749	Short Wall Panel	28 3/4" (73.1cm)	2
8	17429	Corner Floor Board	29 3/8" (74.6cm)	2
9	17750	Narrow Floor Board	29 3/8" (74.6cm)	1
10	17428	Center Floor Board	29 3/8" (74.6cm)	7
11	17430	Shelf Board	29 3/8" (74.6cm)	12
12	20066	Round Head Screw	5/8" (1.6cm)	24
13	21007	Flat Top Screw	1 3/8" (3.5cm)	24
14	17020	Post Cap		8
15	21012	Liner		1

# PARTS LIST

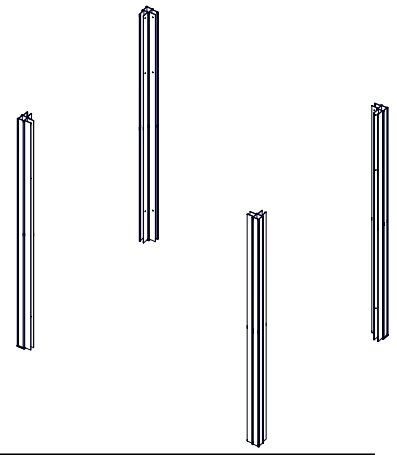
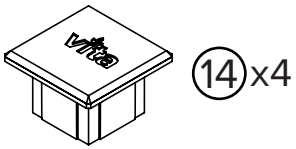
LISTE DES PIÈCES  
LISTADO DE PIEZAS



# ATTACH THE CAPS TO THE BOTTOM OF THE POSTS

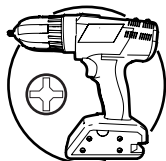
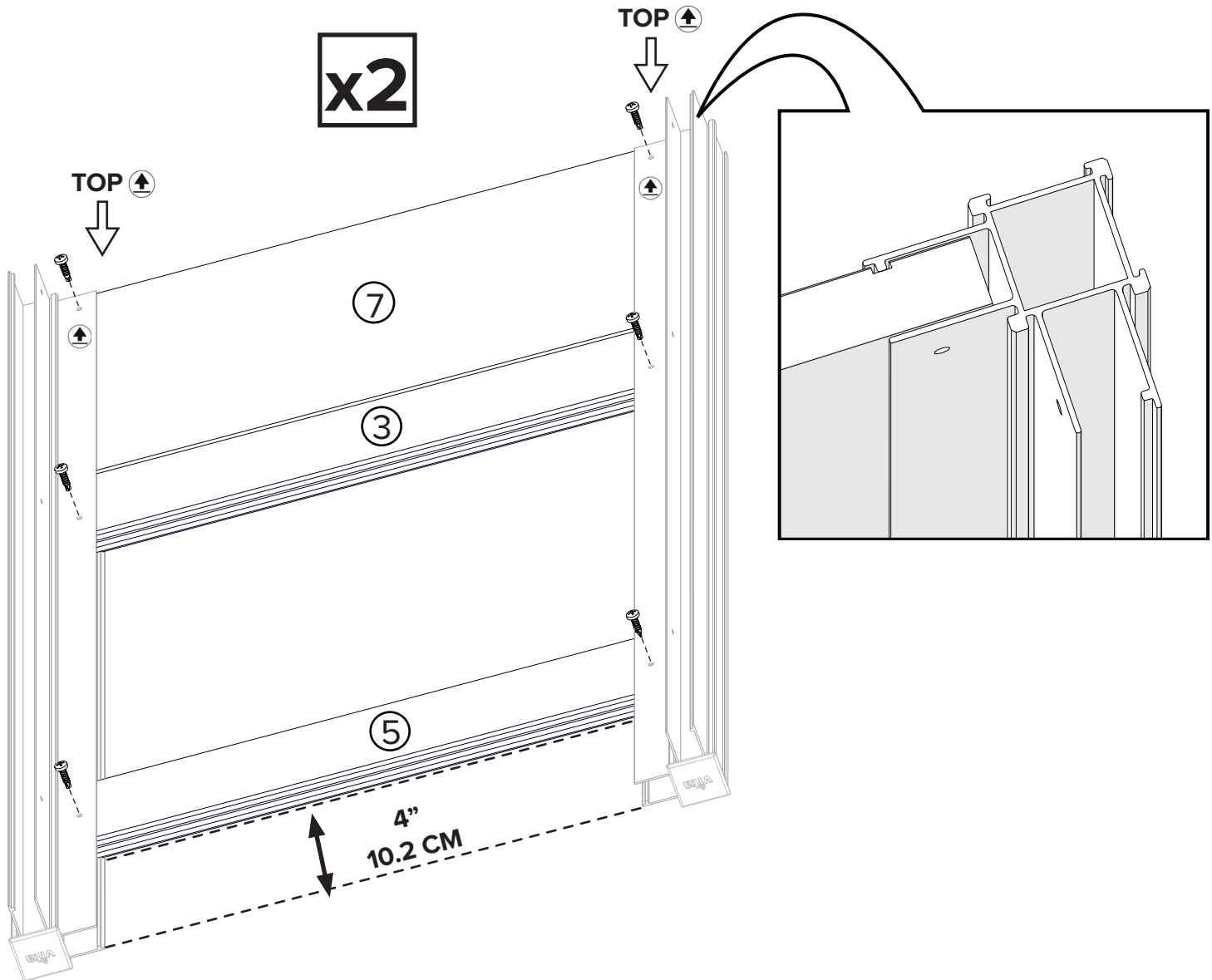
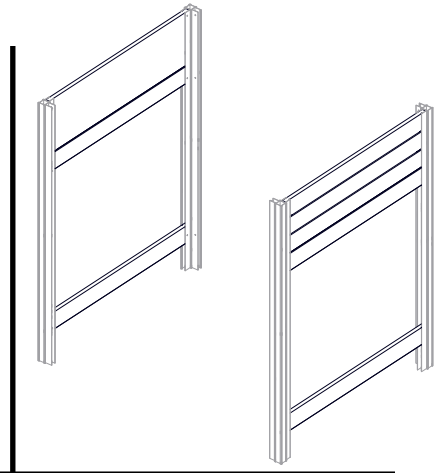
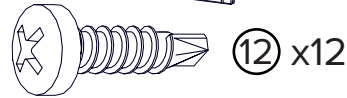
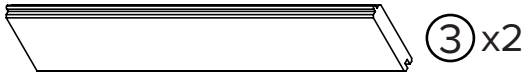
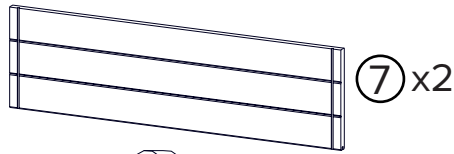
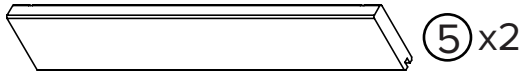
INSÉREZ LES EMBOUTS AU BAS DES POTEAUX

COLOQUE LAS TAPAS EN LOS EXTREMOS INFERIORES DE LOS POSTES



## 2 INSTALL THE FLOOR AND SHELF SUPPORT, AND THE SHORT WALL PANEL

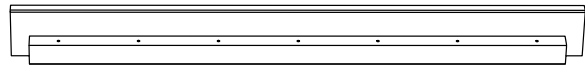
INSTALLEZ LE SUPPORT DE SOL ET D'ÉTAGÈRE, ET LE PANNEAU MURAL COURT  
INSTALE EL SOPORTE DE PISO Y EL SOPORTE DE LA REPISA, Y EL PANEL DE PARED CORTO.



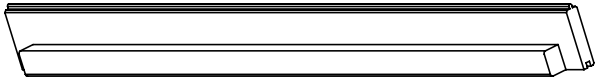
PHILIPS #2

### 3 INSTALL THE FLOOR AND SHELF SUPPORTS, AND THE LONG WALL PANEL

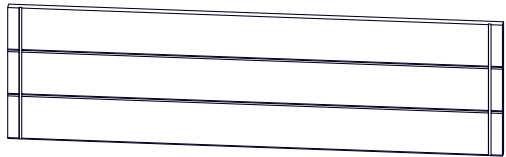
INSTALLEZ LES SUPPORTS DE SOL ET D'ÉTAGÈRE, ET LE LONG PANNEAU MURAL  
INSTALE LOS SOPORTES DEL PISO Y DE LAS REPISAS, Y EL PANEL LARGO.



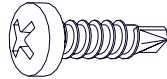
④ x2



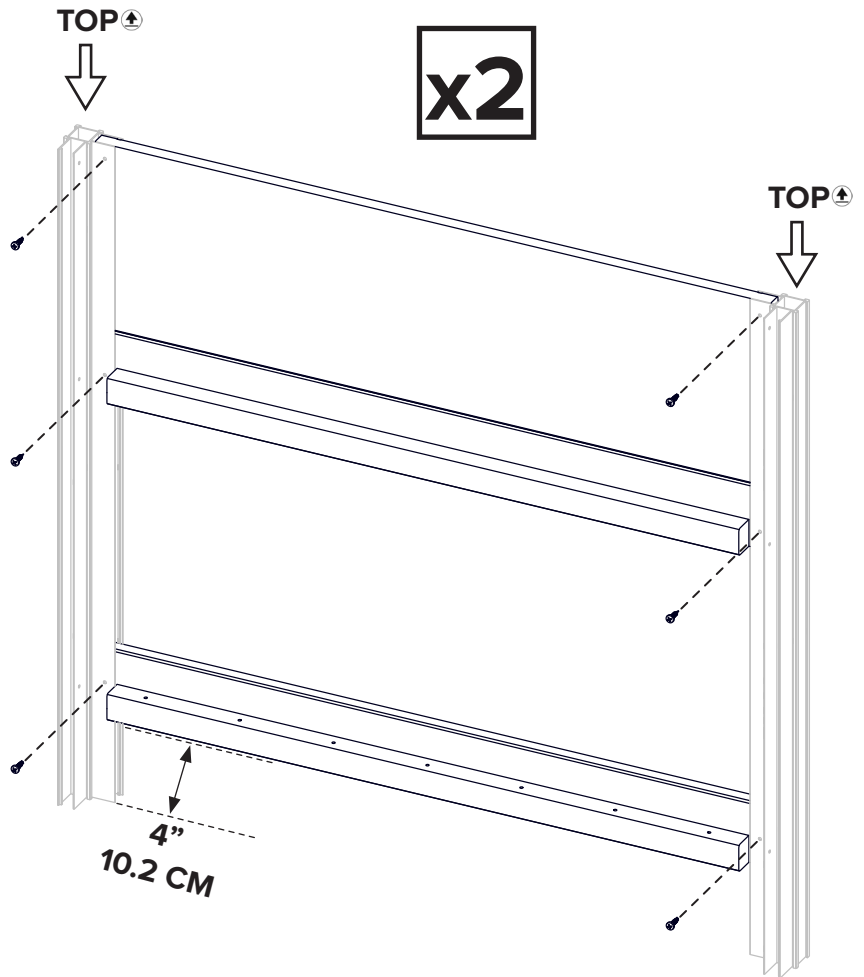
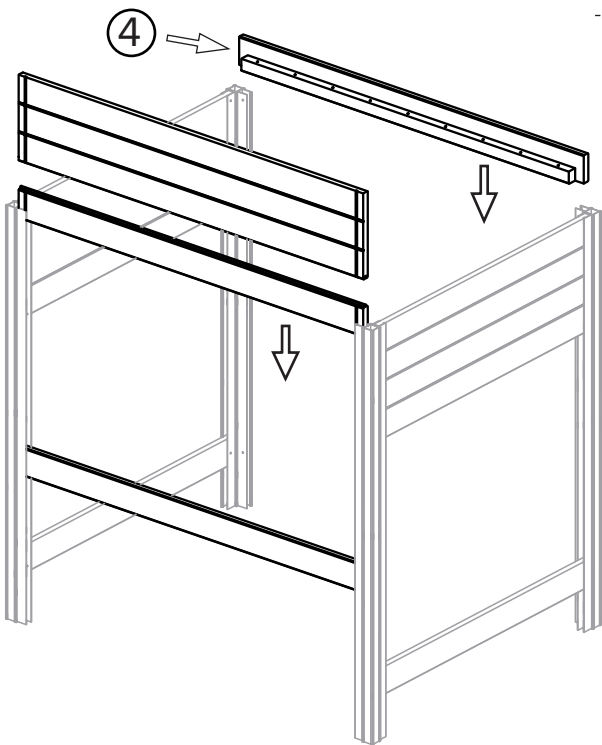
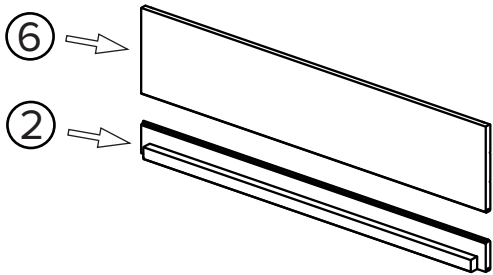
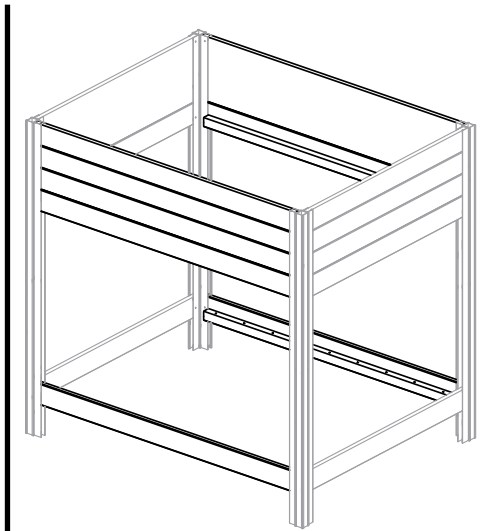
② x2



⑥ x2



⑫ x12



8

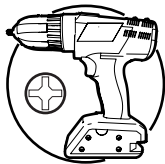
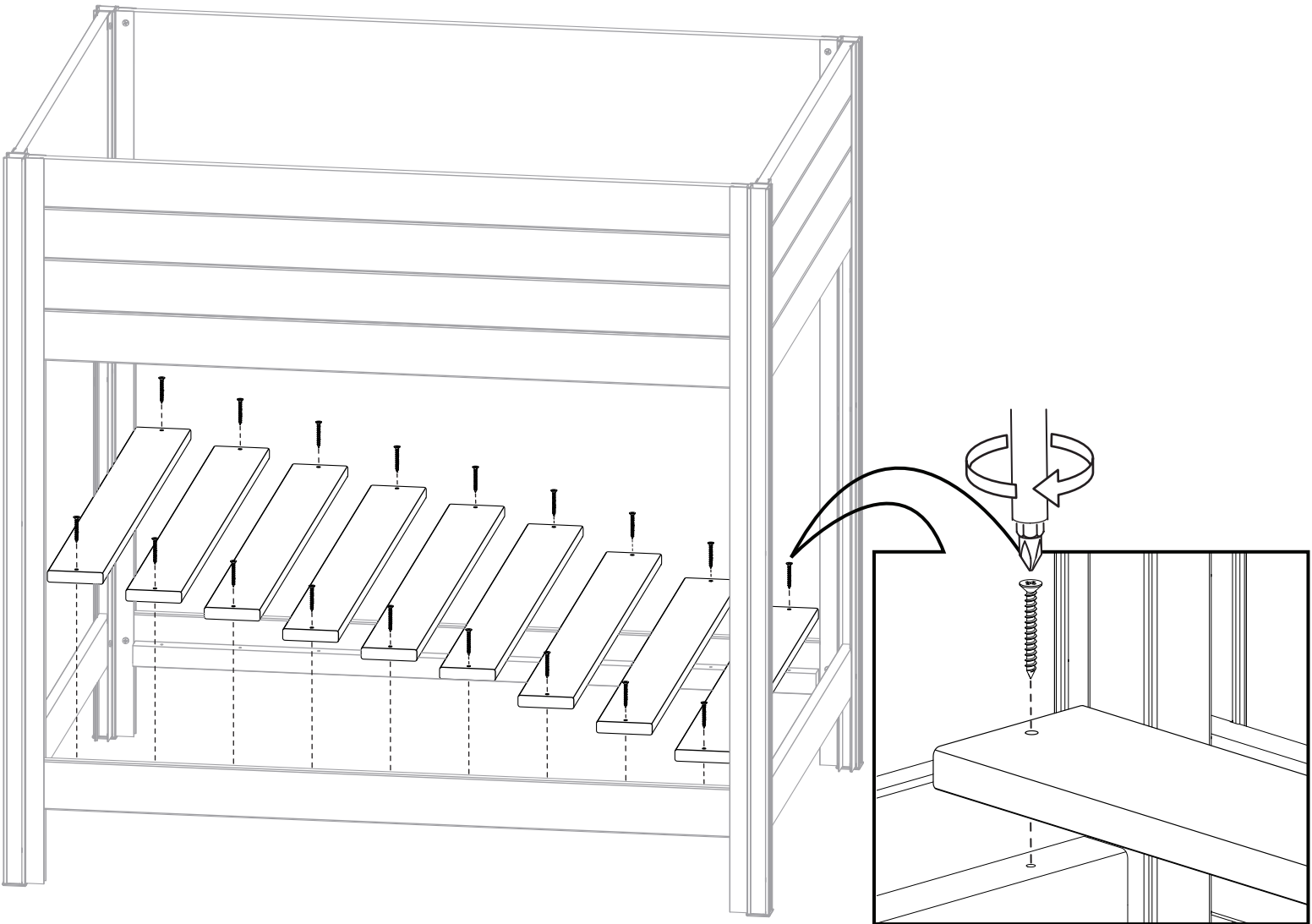
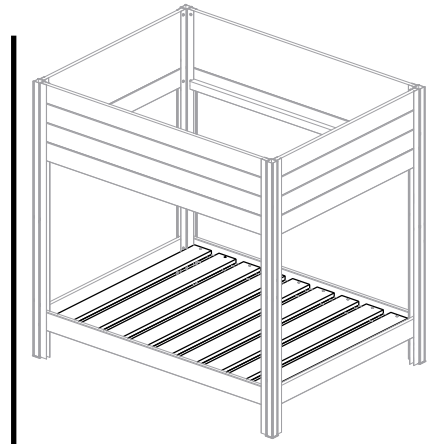
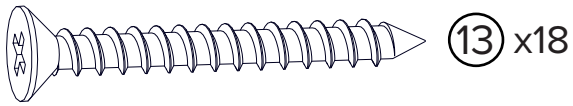
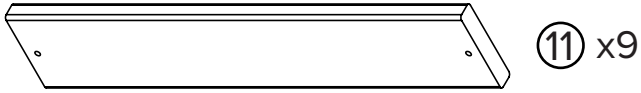


PHILIPS #2



# 4 PLACE AND SECURE THE SHELF BOARDS

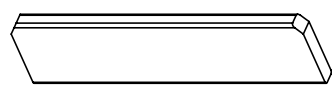

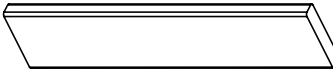


POSITIONNEZ ET FIXEZ LES PLANCHES DES ÉTAGÈRES  
COLOQUE Y ASEGURE LAS TABLAS DEL ESTANTE

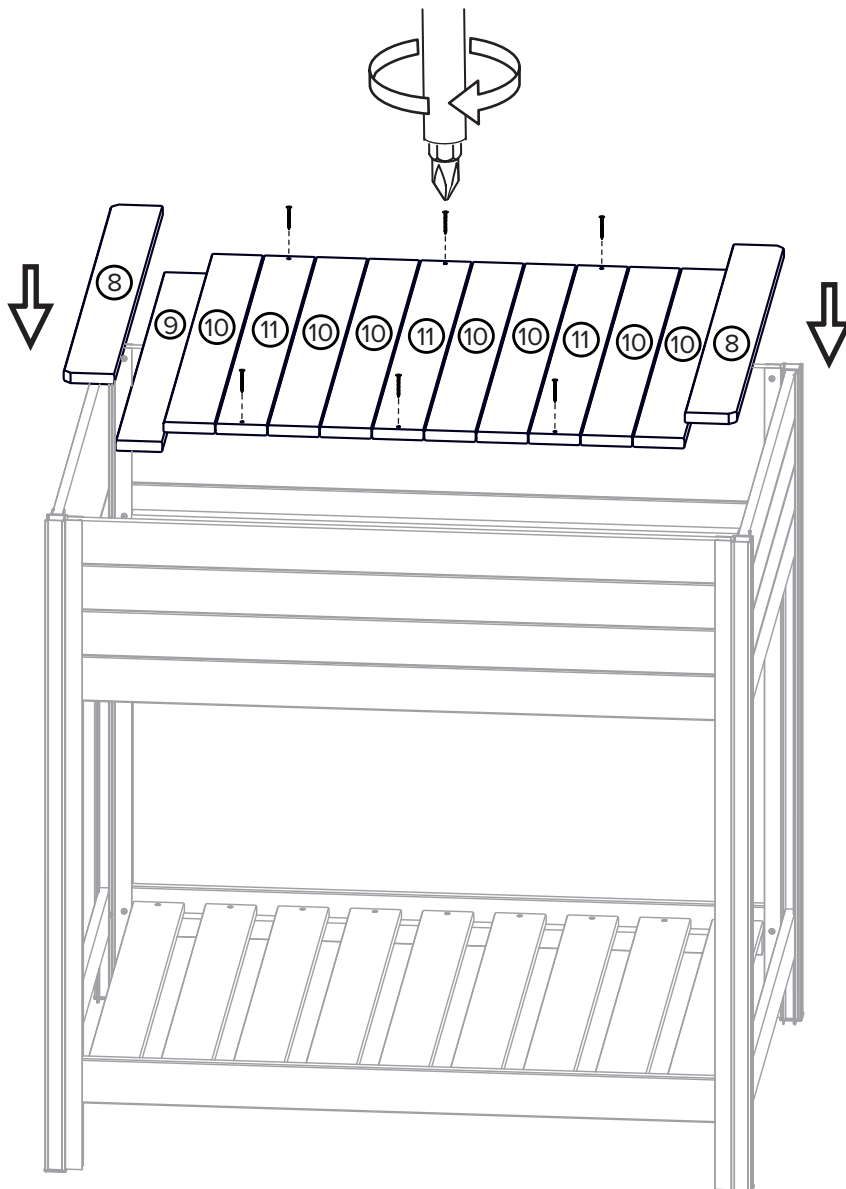
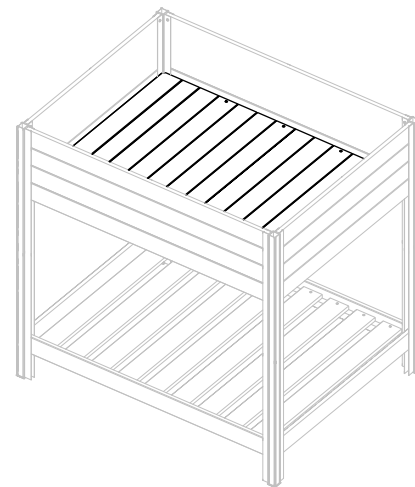


PHILIPS #2

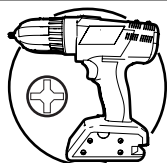
# 5 PLACE DOWN THE FLOOR BOARDS

METTEZ EN PLACE LES PLANCHES DU PLANCHER  
COLOQUE LAS TABLAS DE LA BASE

-  ⑧ x2
-  ⑪ x3
-  ⑨ x1
-  ⑬ x6
-  ⑩ x7



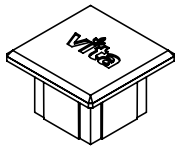
10



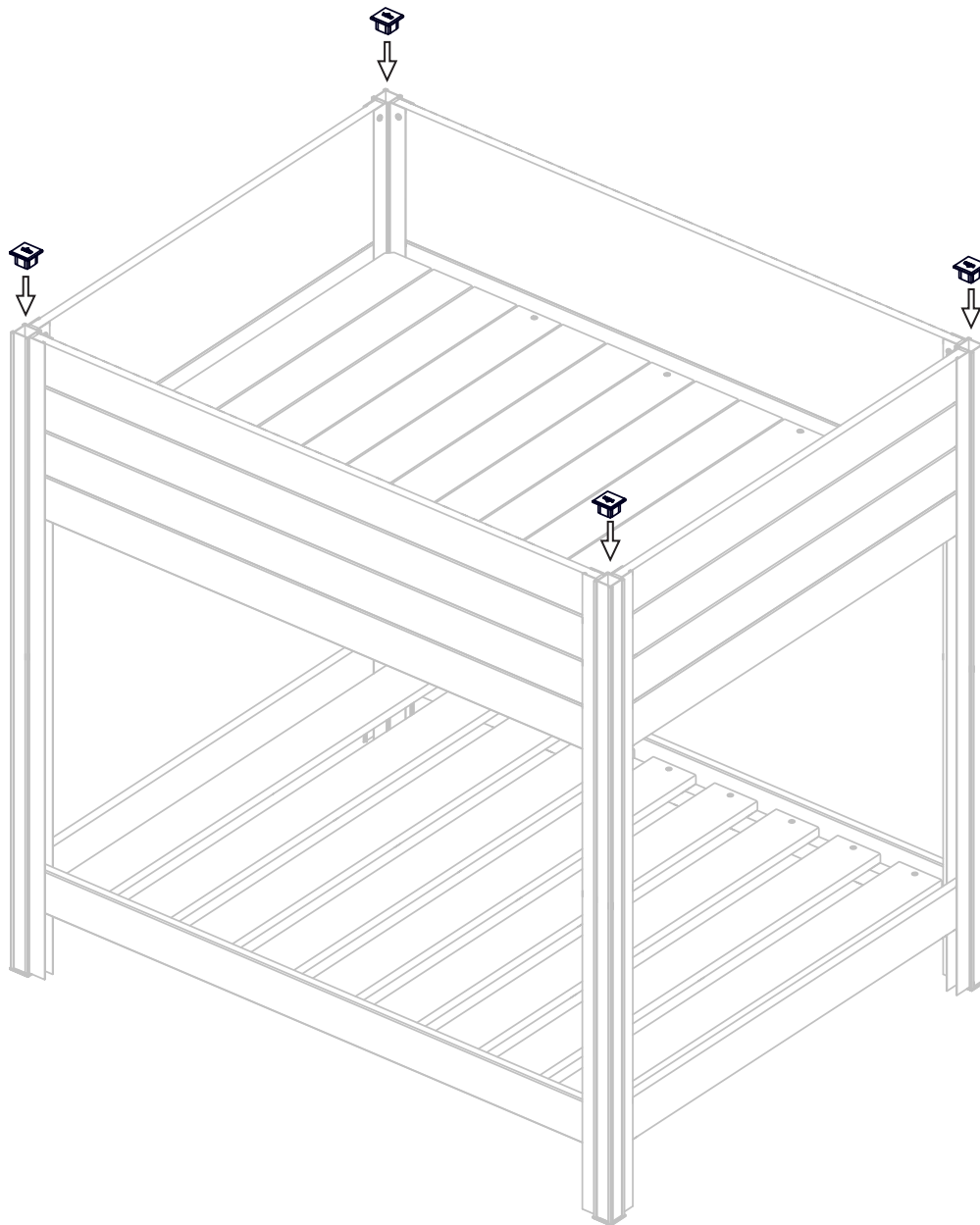
PHILIPS #2

# 6 ATTACH THE POST CAPS

INSÉREZ LES EMBOUTS DE POTEAUX  
COLOQUE LAS TAPAS EN LOS POSTES

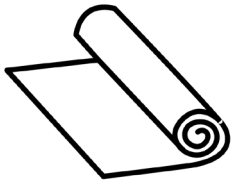


14 x4



# 7 INSERT THE LINER

METTEZ EN PLACE LE FILM DE DOUBLAGE  
INTRODUZCA EL REVESTIMIENTO



⑮ x1

