



**ASSEMBLY GUIDE
GUIDE DE MONTAGE
GUÍA DE MONTAJE**

URBANA

12"X24"11 PLANTER

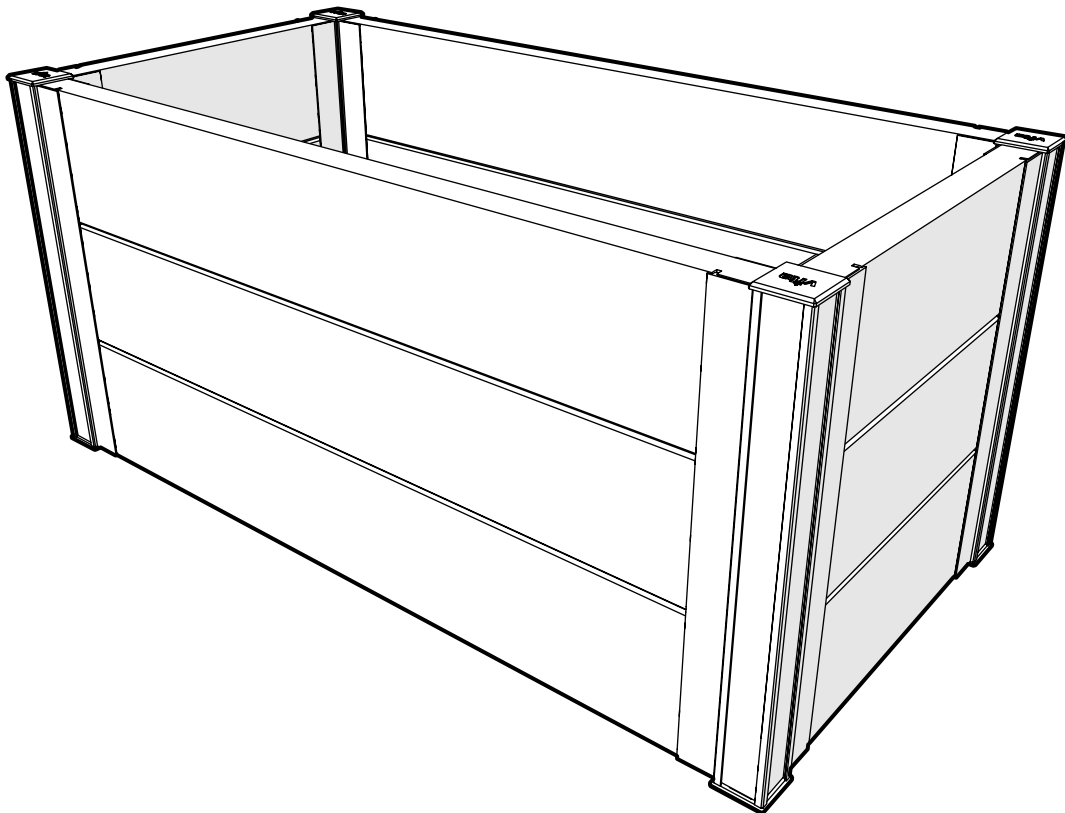
PLANTEUR 12"X24"X11"

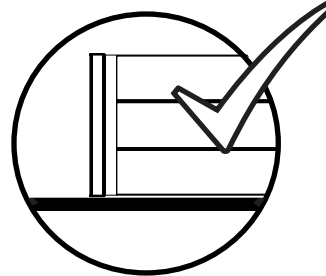
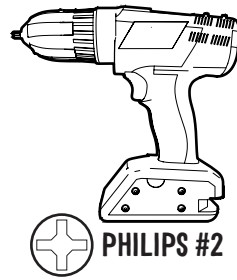
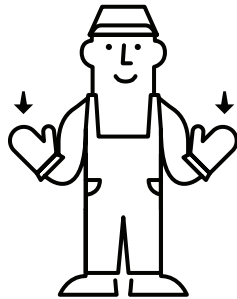
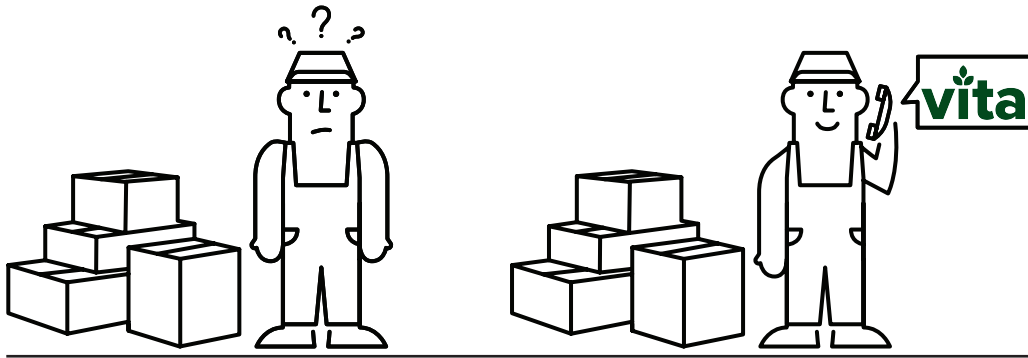
JARDINERA 12"X24"X11"

VT17528 / VT17628

ESPRESSO
ESPRESSO
ESPRESSO

SLATE
ARDOISE
PIZARRA





 1-800-282-9346



HELLO@WEAREVITA.COM



WWW.WEAREVITA.COM



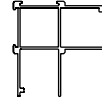
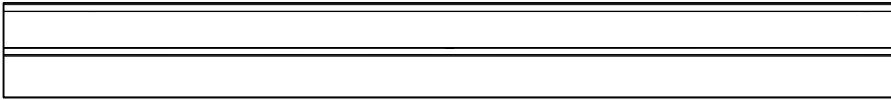
8:00 AM - 5:00 PM EST



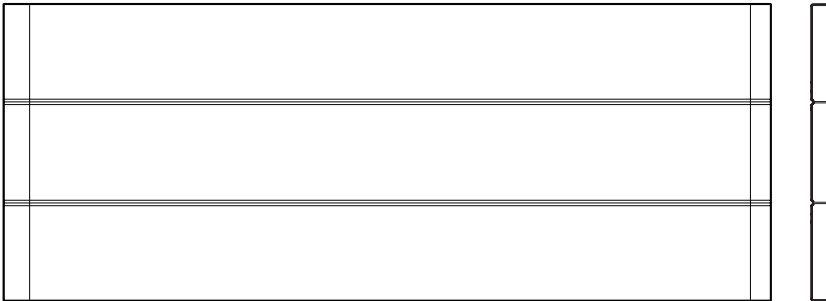
PARTS LIST

LISTE DES PIÈCES

LISTA DE PARTES



16132 - POST - PUBLIER - EXPONER - 11" (27.9 CM) - X4

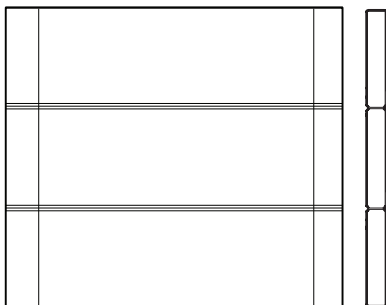


16141 - SLATE - ARDOISE - PIZARRA

15141 - ESPRESSO - EXPRESSO - ESPRESSO

BOARD A - PLANCHE A - TABELRO A

21 1/2" (54.6 CM) - X2

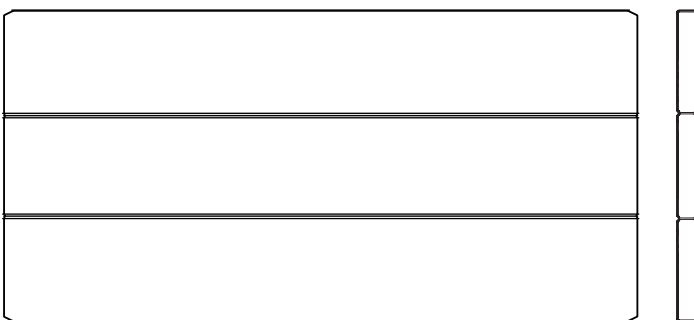


16135 - SLATE- ARDOISE - PIZARRA

15135 - ESPRESSO - EXPRESSO - ESPRESSO

BOARD B - PLANCHE B - TABELRO B

9 1/2" (24.1 CM) - X2

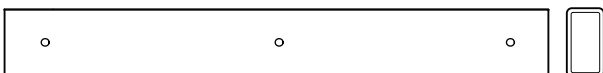


16145 - SLATE SLATE - ARDOISE - PIZARRA

15145 - ESPRESSO - EXPRESSO - ESPRESSO

FLOOR BOARD - PLANCHE D'ÉTAGE - TABLERO DE PISO

21 7/8" (55.5 CM) - X1

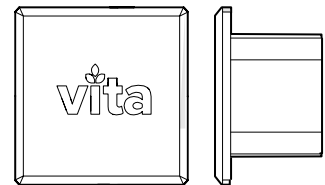
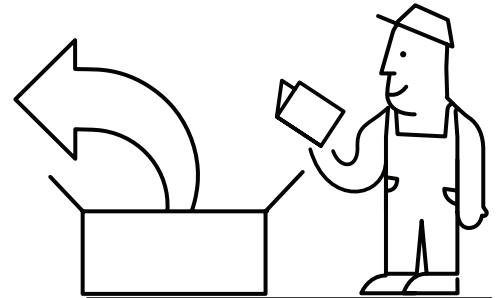


16144 - SLATE - ARDOISE - PIZARRA

15144 - ESPRESSO - EXPRESSO - ESPRESSO

FLOOR BRACE - BRACE DE PLANCHER - BRACE DE PISO

18 3/4" (47.7 CM) - X2

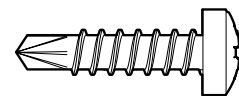


16325

POST CAP - ETE DE POTEAU - TAPON

1 1/4"x1 1/4" (3.2 CM x 3.2 CM)

X8



20066

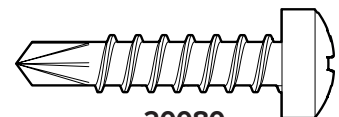
SCREW A

VISSER A

TORNILLO A

5/8IN (1.6CM)

X8



20080

SCREW B

VISSER B

TORNILLO B

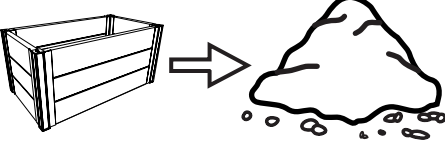
1 1/4IN (3.2 CM)


X6

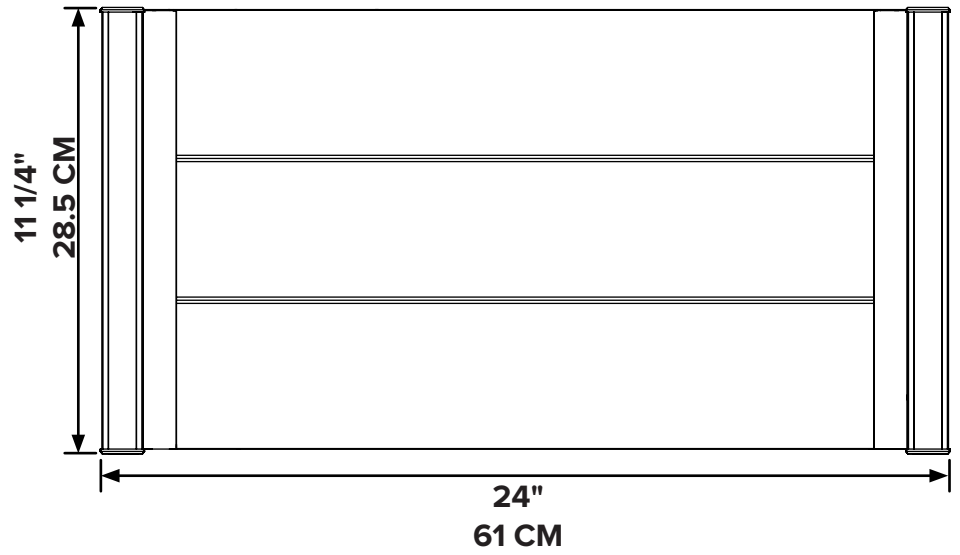
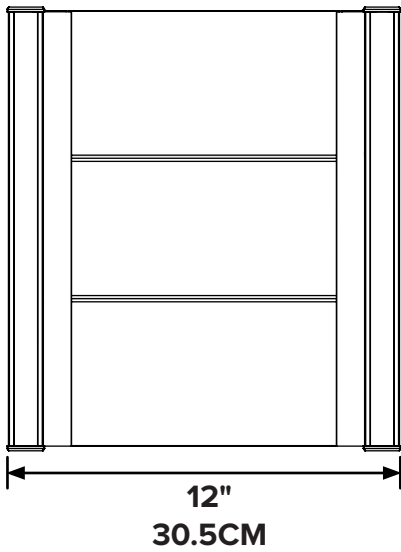
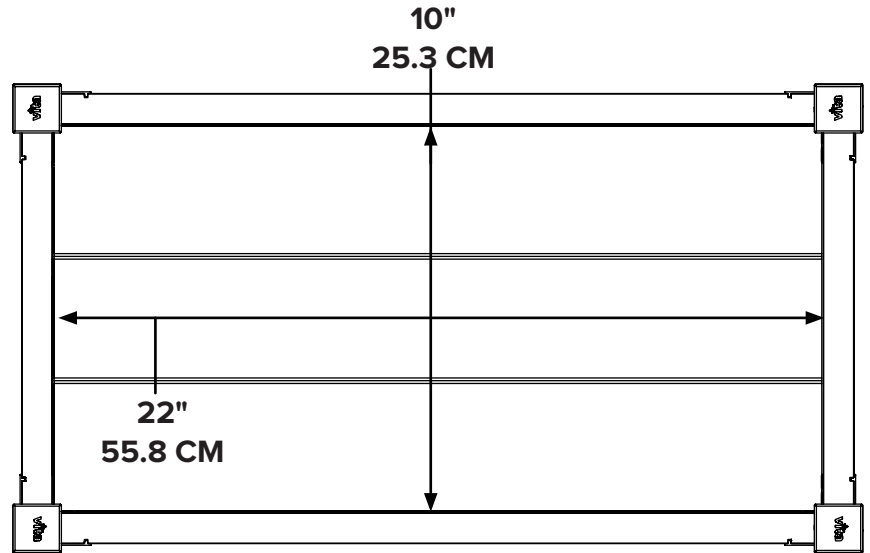
PRODUCT DIMENSIONS

DIMENSIONS DU PRODUIT

DIMENSIONES DEL PRODUCTO



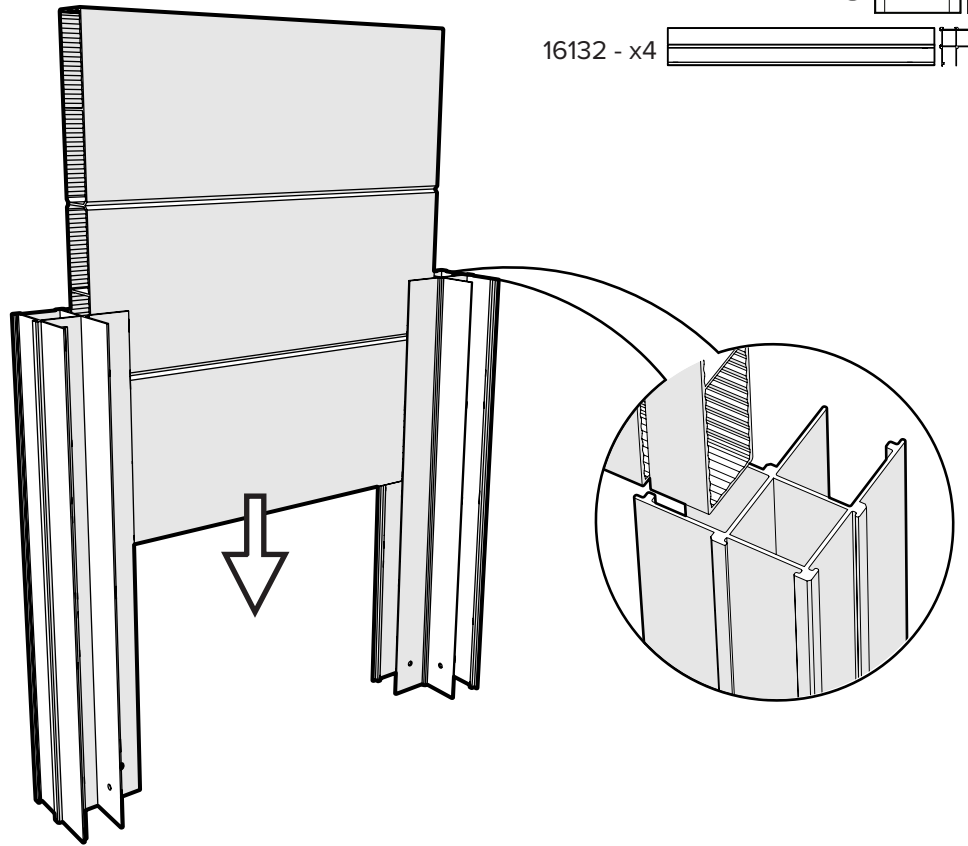
CU M ----- 0.08
 CU FT ----- 2.73
 ----- 3 BAGS
 (30L/1.5CU FT.)



1

16135/15135 - x2 (B)

16132 - x4

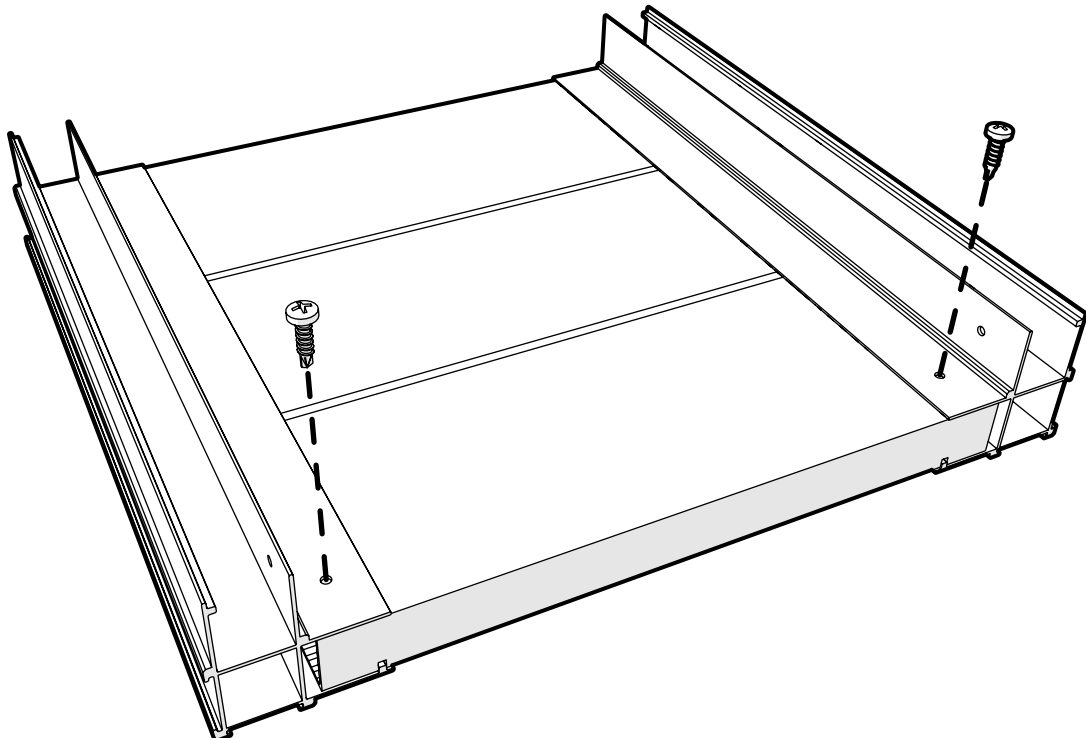


X2

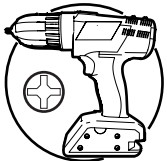


2

20066 - x4 (A)



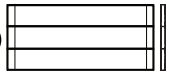
X2

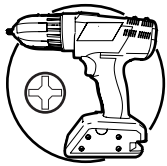
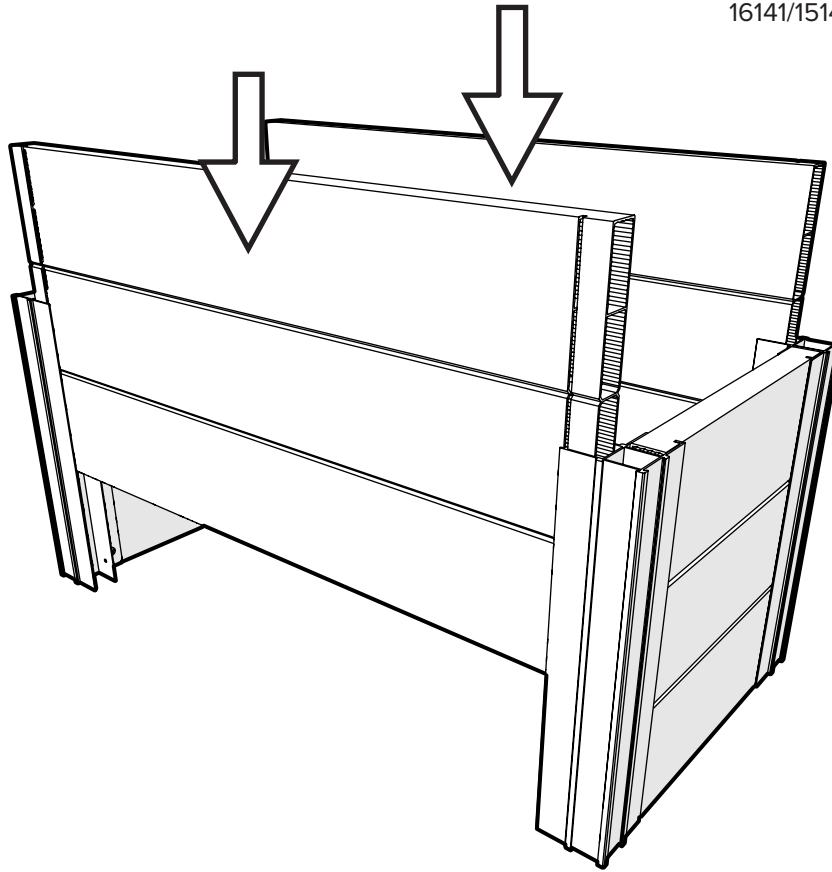


PHILIPS #2



3

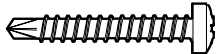
16141/15141 - x2 (A) 



PHILIPS #2

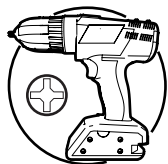
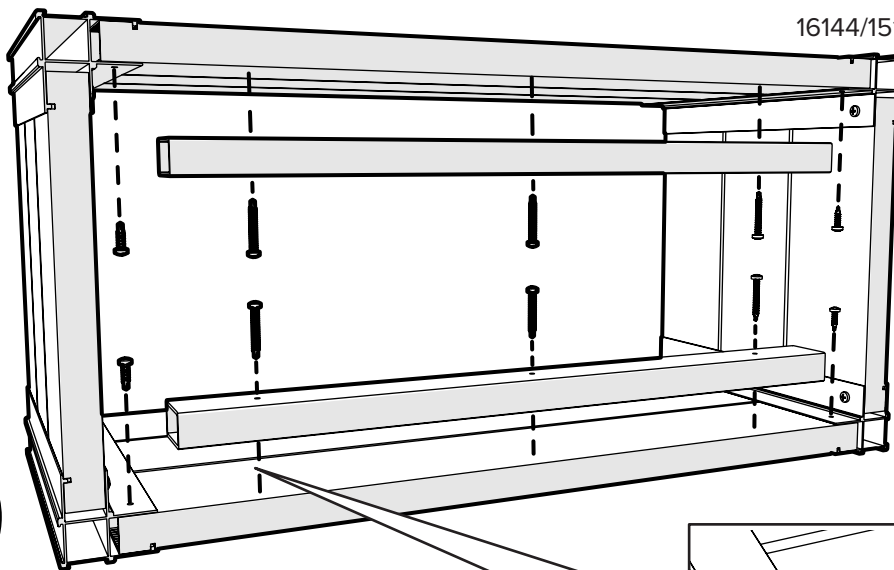


4

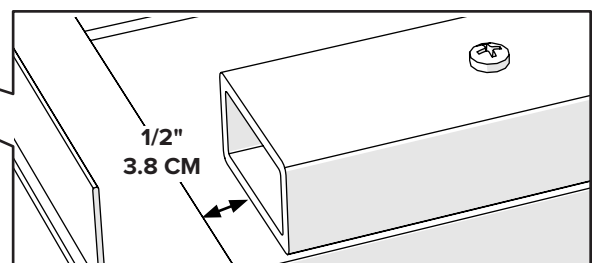
20080 - x6 (B) 

20066 - x4 (A) 

16144/15144 - x2 

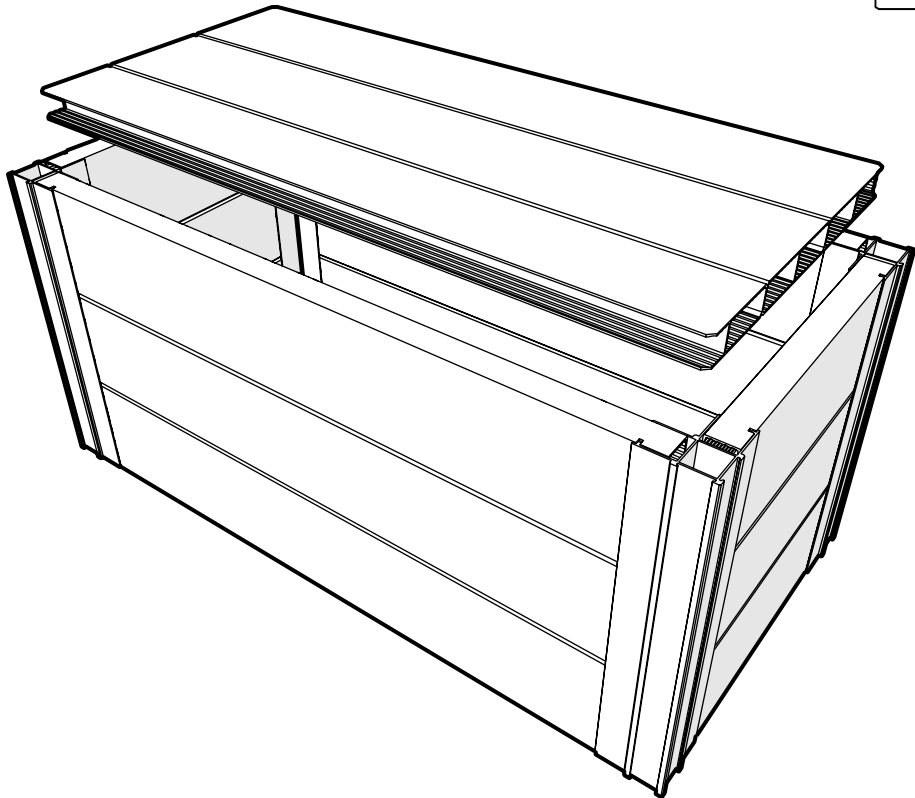
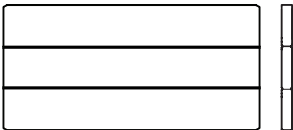


PHILIPS #2



5

16145/15145 - x1



6

16325 - x8

