



**ASSEMBLY GUIDE
GUIDE DE MONTAGE
GUÍA DE MONTAJE**

URBANA

12"X12"X11" PLANTER

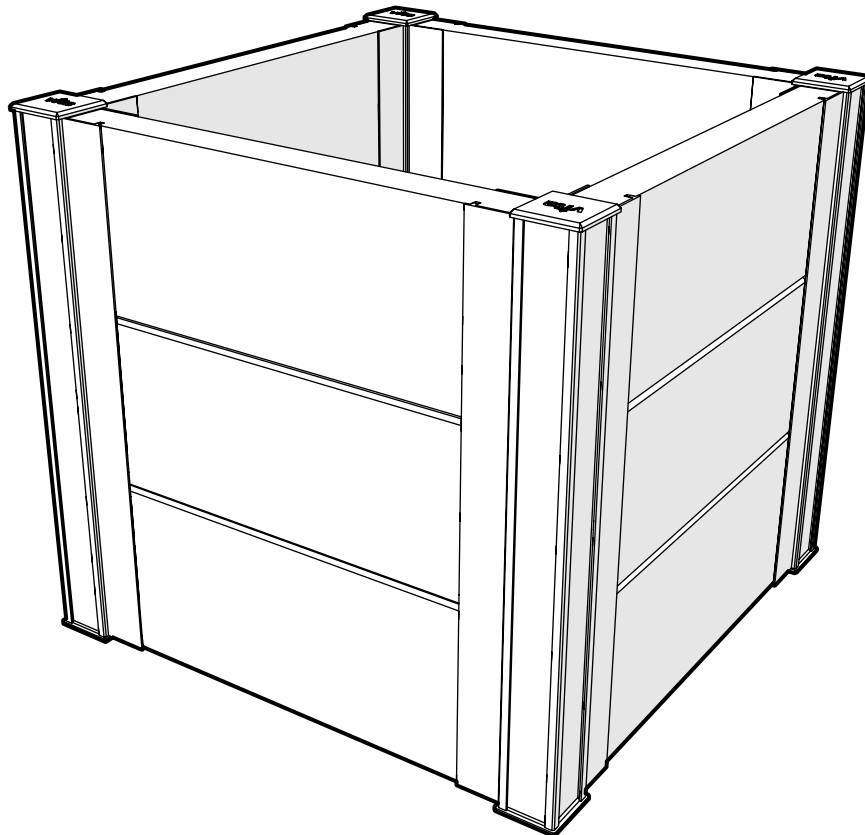
PLANTEUR 12"X12"X11"

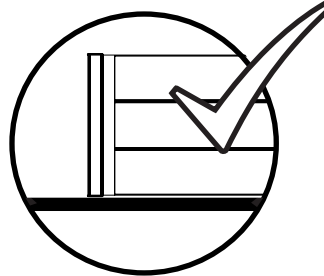
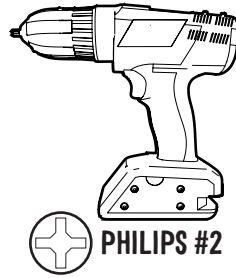
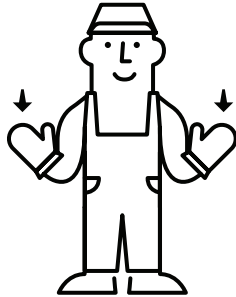
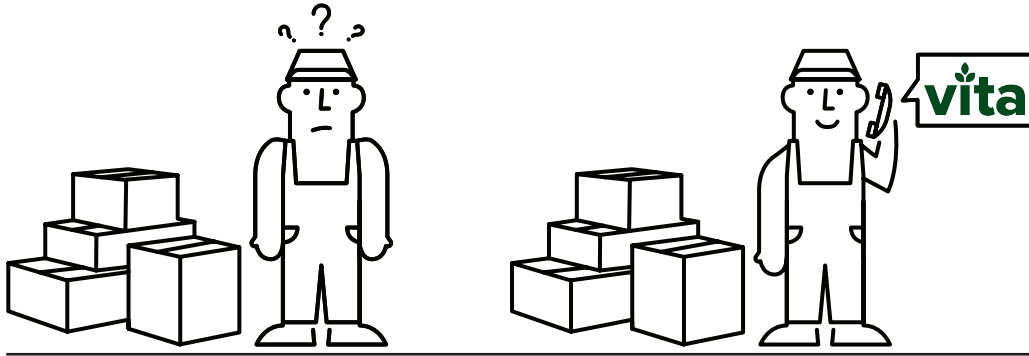
JARDINERA 12"X12"X11"

VT17527 / VT17627

ESPRESSO
EXPRESSO
ESPRESSO

SLATE
ARDOISE
PIZARRA





 1-800-282-9346



HELLO@WEAREVITA.COM



WEAREVITA.COM



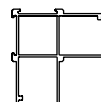
8:00 AM - 4:00 PM EST



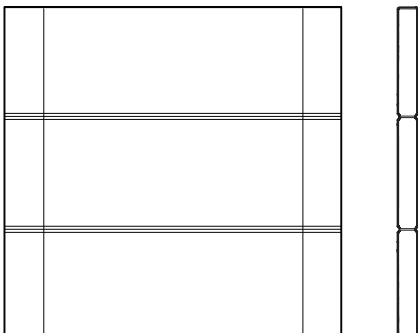
PARTS LIST

LISTE DES PIÈCES

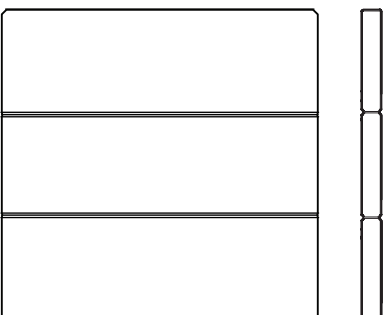
LISTA DE PARTES



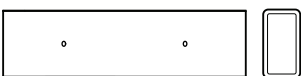
16132 - POST - PUBLIER - EXPONER - 11" (27.9 CM) - X4



16135 - SLATE- ARDOISE - PIZARRA
15135 - ESPRESSO - EXPRESSO - ESPRESSO
BOARD - PLANCHE - TABELRO
9 1/2" (24.1 CM) - **X4**



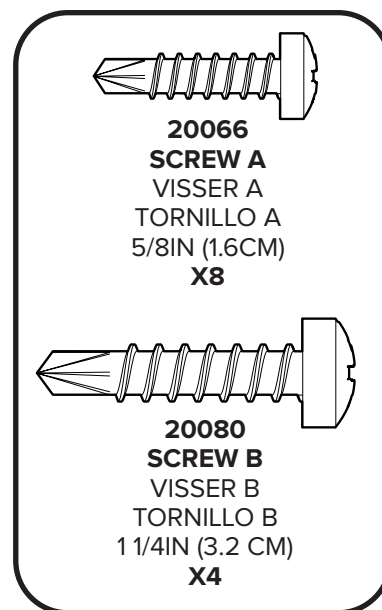
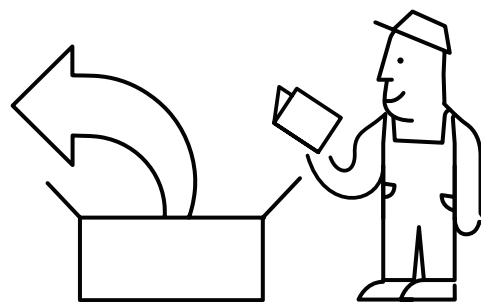
16137 - SLATE SLATE - ARDOISE - PIZARRA
15137 - ESPRESSO - EXPRESSO - ESPRESSO
FLOOR BOARD - PLANCHE D'ÉTAGE - TABLERO DE PISO
9 7/8" (25.1 CM) - **X1**



16136 - SLATE SLATE - ARDOISE - PIZARRA
15136 - ESPRESSO - EXPRESSO - ESPRESSO
FLOOR BRACE - BRACE DE PLANCHER - BRACE DE PISO
6 3/4" (17.2 CM) - **X2**



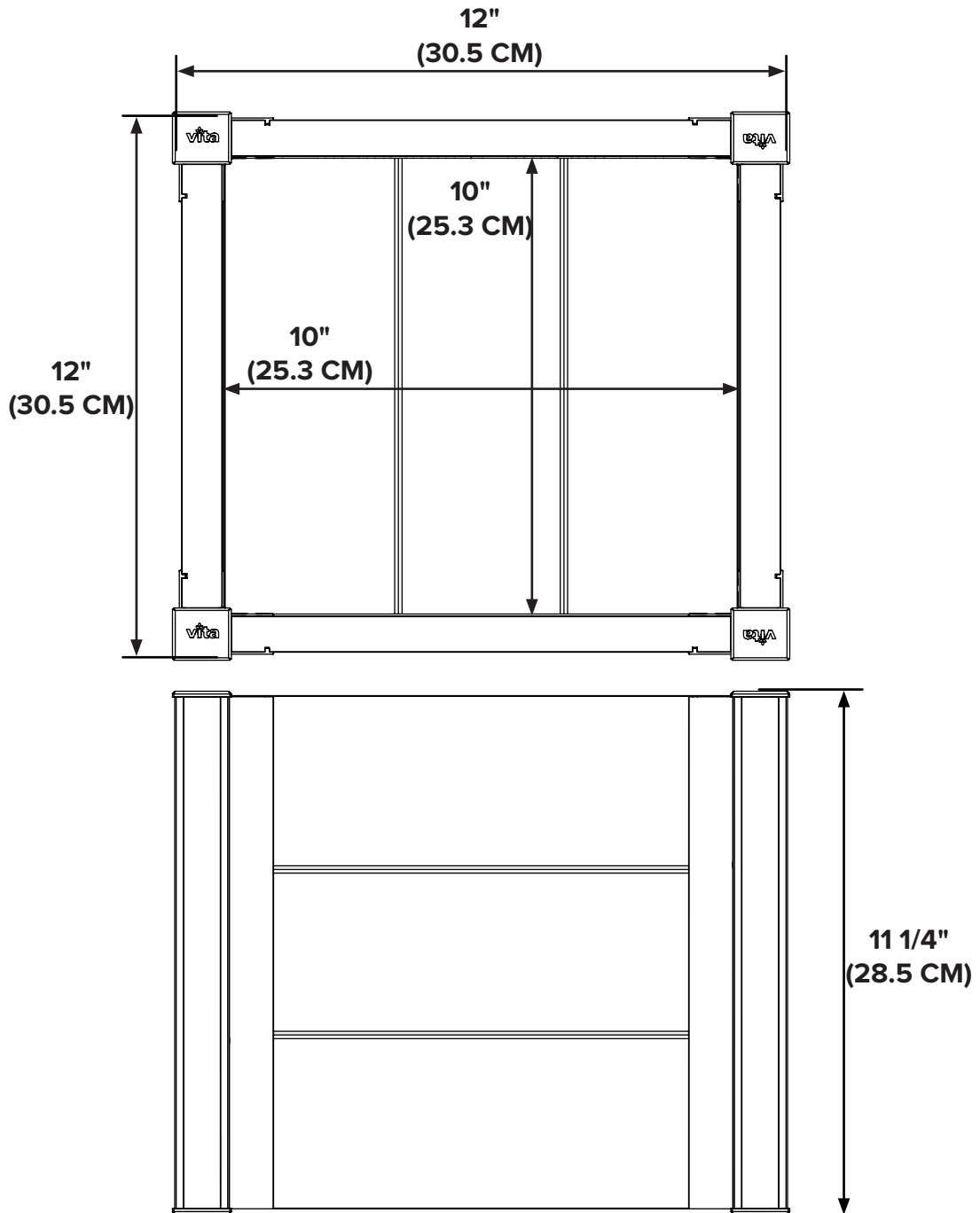
16325
POST CAP - ETE DE POTEAU - TAPON
1 1/4"x1 1/4" (3.2 CM x 3.2 CM) - **X8**



PRODUCT DIMENSIONS

DIMENSIONS DU PRODUIT

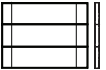
DIMENSIONES DEL PRODUCTO

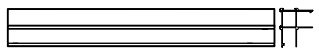


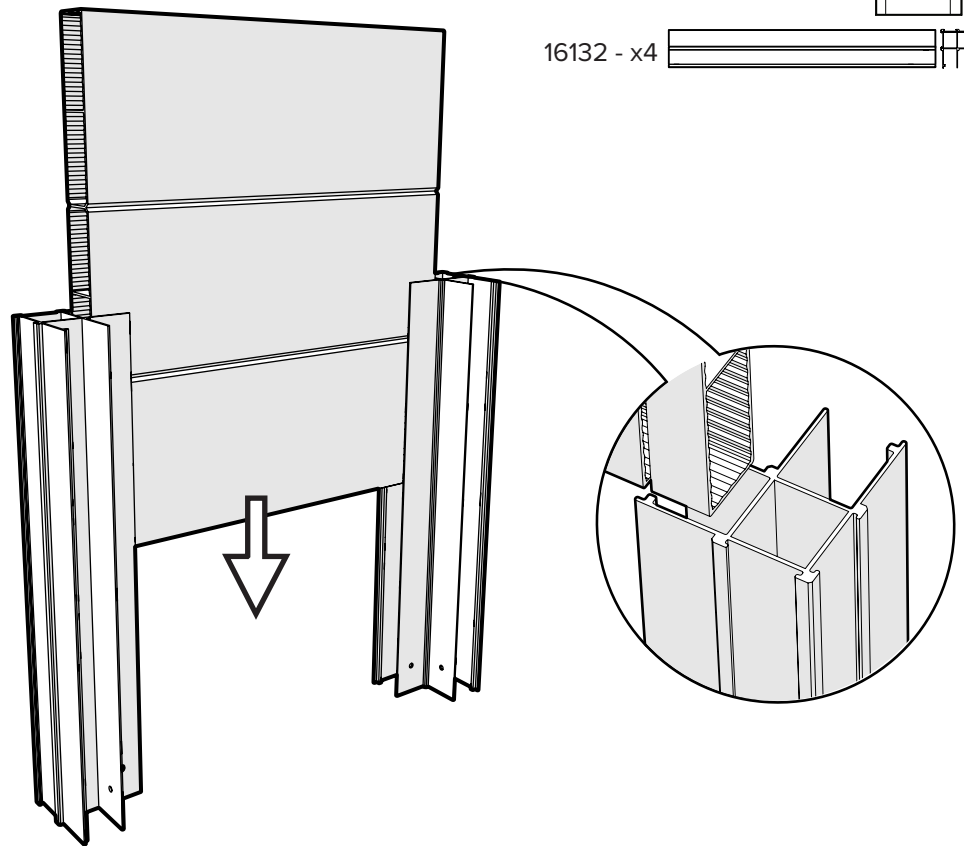
Volume and weight information box. It contains the following text and icons:

- Icon of a wooden crate with an arrow pointing to a pile of material.
- CU M ----- 0.04
- CU FT ----- 1.39
- Icon of a bag with a recycling symbol and the text '30L/1.5CU FT.' below it.
- 1 BAGS

1

16135/15135 - x2 

16132 - x4 

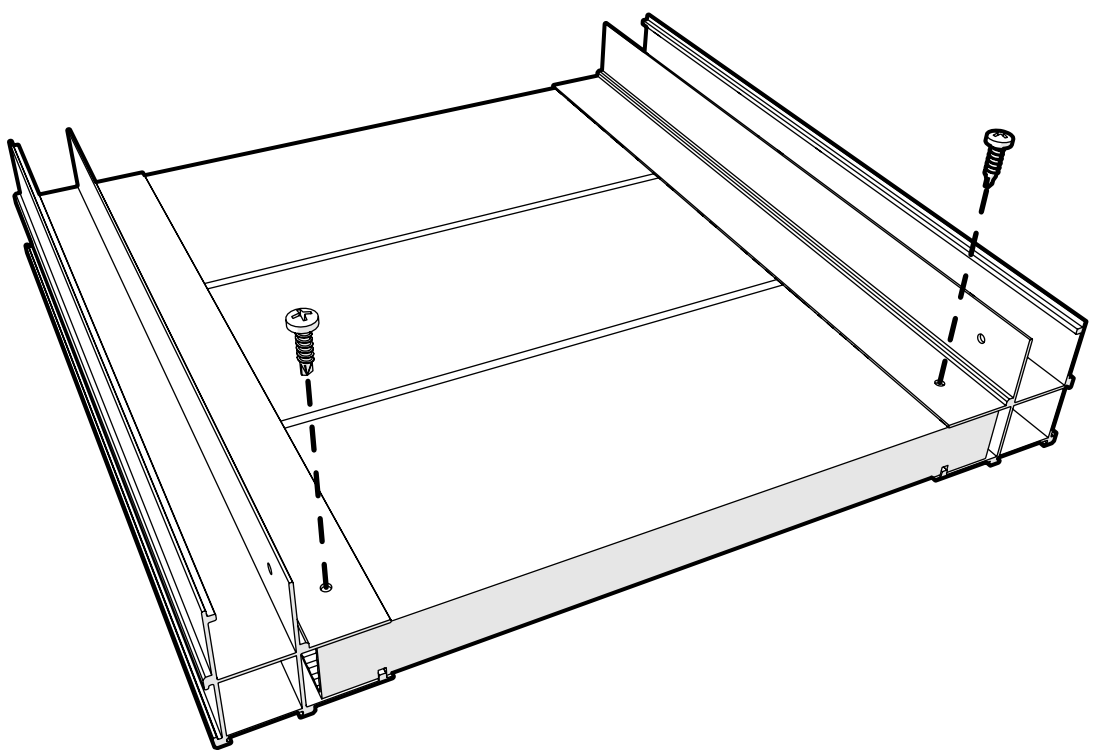


X2

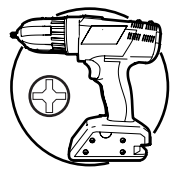


2

20066 - x4 



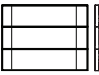
X2

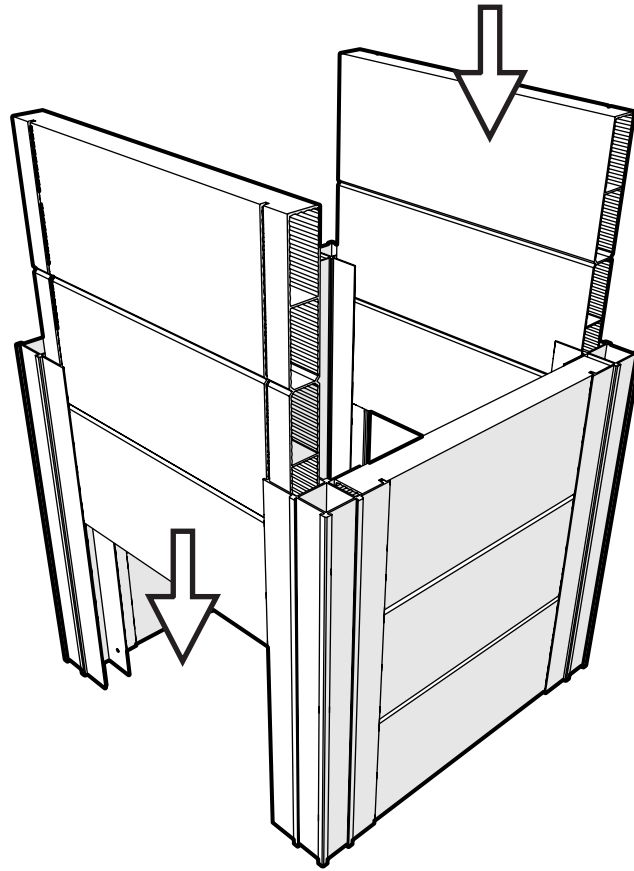


PHILIPS #2



3

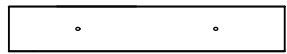
16135/15135 - x2 

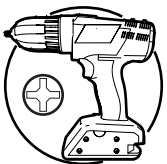
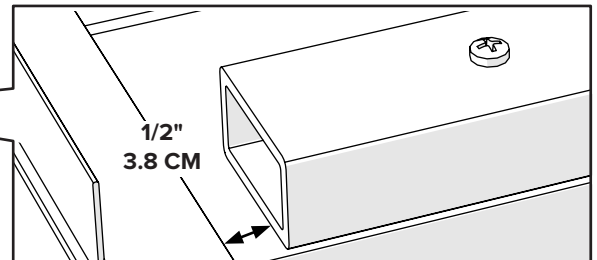
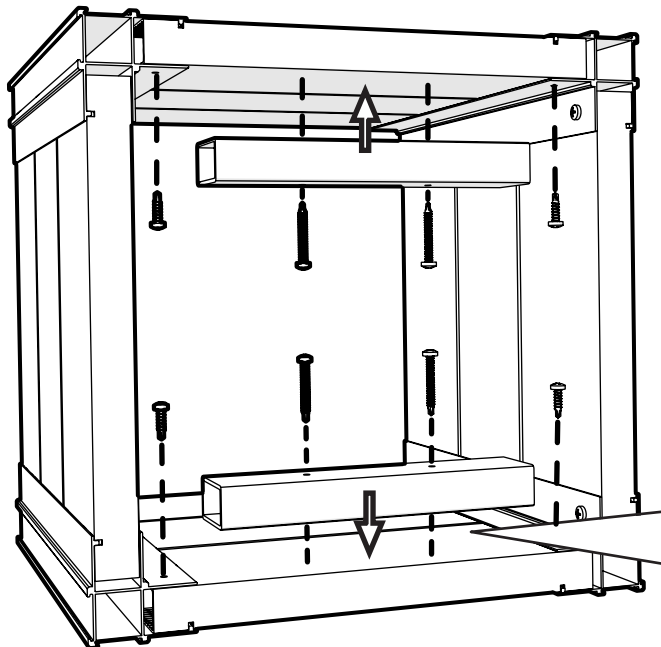


4

20080 - x4 

20066 - x4 

16136/15136 - x2 

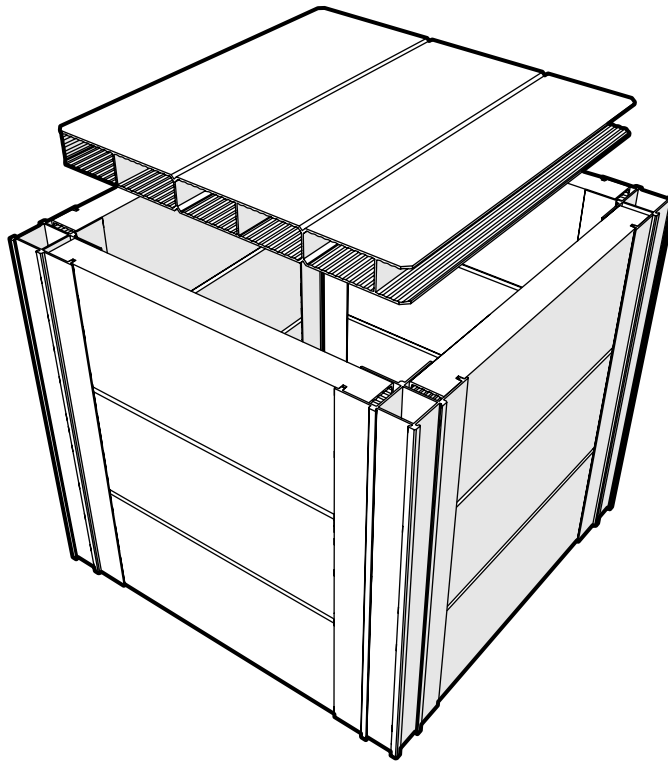


PHILIPS #2

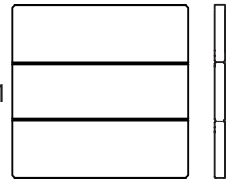


6

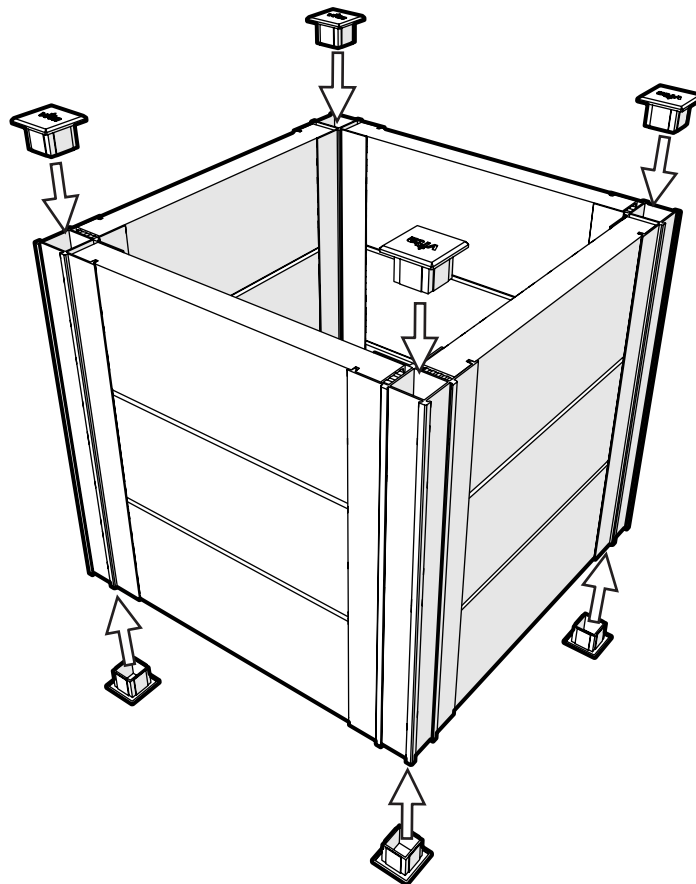
5



16137/15137 - x1



6



16325 - x8

