



**ASSEMBLY GUIDE
GUIDE DE MONTAGE
GUÍA DE MONTAJE**

SPROUT FARM PLANTER

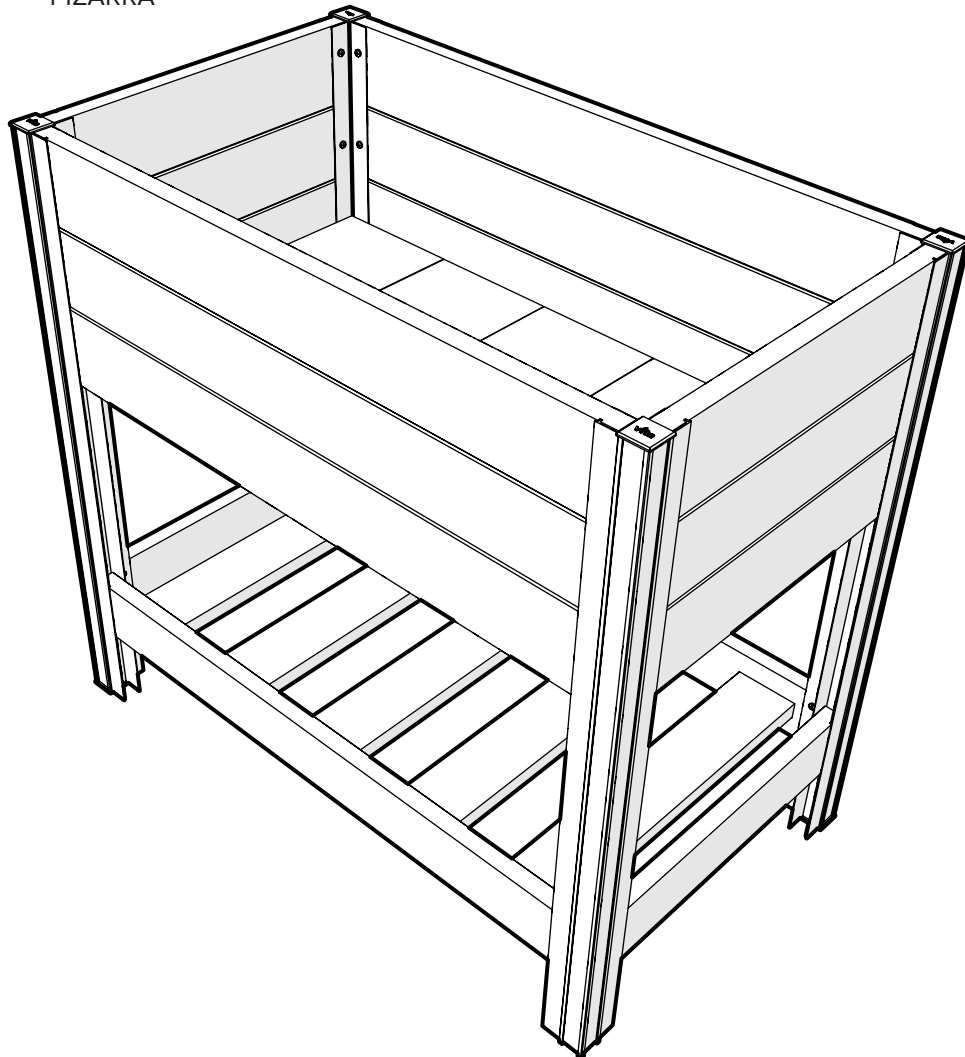
PLANTEUR FERME SPROUT

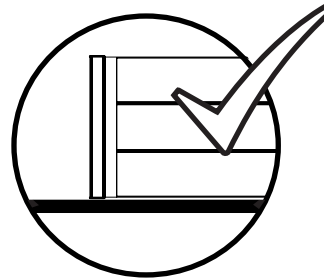
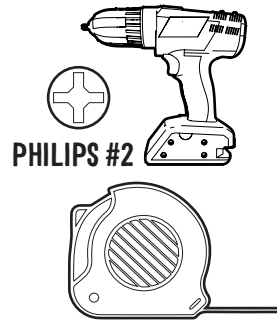
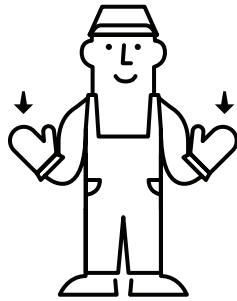
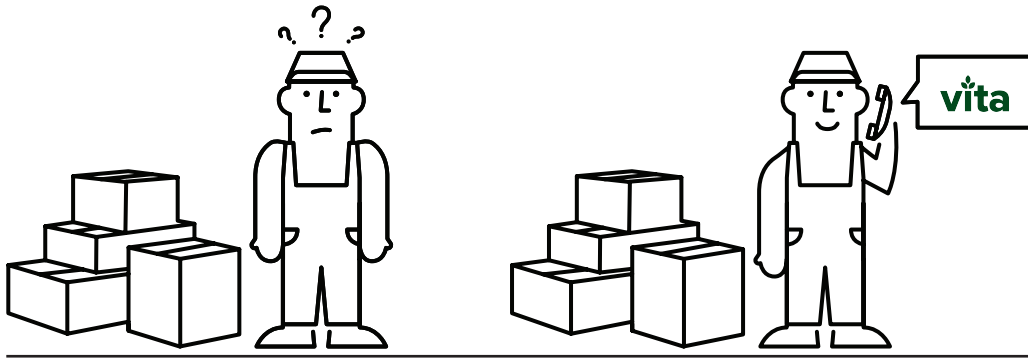
JARDINERA SPROUT FARM

VT17519 / VT17619

ESPRESSO
ESPRESSO
ESPRESSO

SLATE
ARDOISE
PIZARRA





 1-800 282-9346



hello@wearevita.com



www.wearevita.com



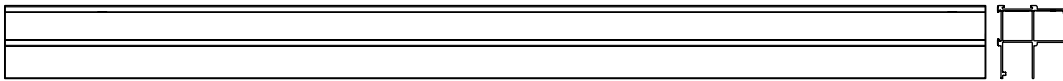
8:00 -5:00 pm EST



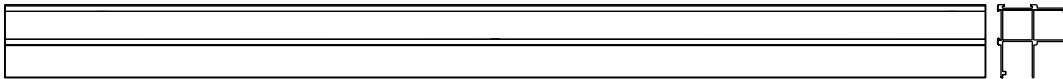
PARTS LIST

LISTE DES PIÈCES

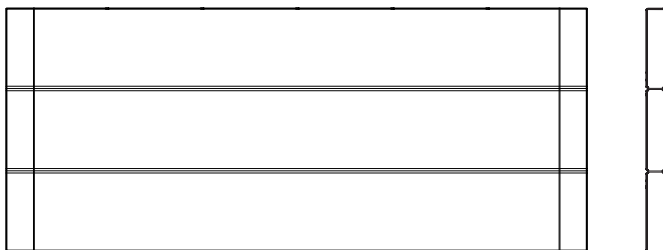
LISTA DE PARTES



16079 - POST A - PUBLIER A - EXPONER A
28 7/8" (73.4CM) - **X2**



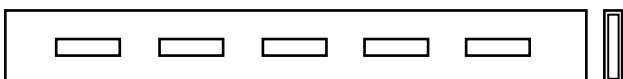
16080 - POST B - PUBLIER B - EXPONER B
28 7/8" (73.4CM) - **X2**



16081 - SLATE - ARDOISE - PIZARRA
15081 - ESPRESSO - EXPRESSO - ESPRESSO
BOARD A - PLANCHE A - TABLERO A
28 1/2" (72.4CM) - **X2**



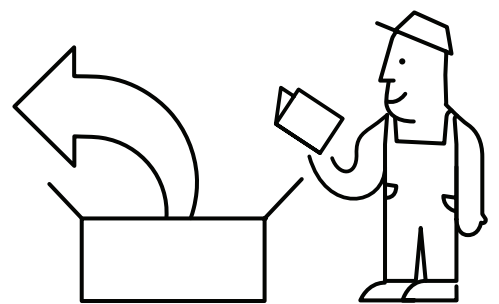
16082 - SLATE - ARDOISE - PIZARRA
15082 - ESPRESSO - EXPRESSO - ESPRESSO
BOARD B - PLANCHE B - TABLERO B
15 1/2" (39.3CM) - **X2**



16083 - SLATE - ARDOISE - PIZARRA
15083 - ESPRESSO - EXPRESSO - ESPRESSO
SHELF BRACE A - ATTELLE D'ÉTAGÈRE A - SAPORTE DE ESTANTE A
28 1/2" (72.4CM) - **X2**

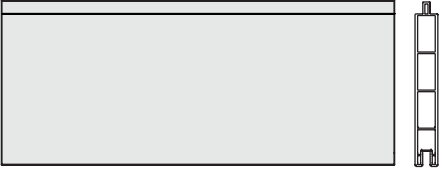


16084 - SLATE - ARDOISE - PIZARRA
15084 - ESPRESSO - EXPRESSO - ESPRESSO
SHELF BRACE B - ATTELLE D'ÉTAGÈRE B - SAPORTE DE ESTANTE B
15 1/2" (39.3CM) - **X2**





16085 - SLATE - ARDOISE - PIZARRA
15085 - ESPRESSO - EXPRESSO - ESPRESSO
SHELVES - ÉTAGÈRES - ESTANTERÍA
 17 1/2" (44.4CM) - **X5**



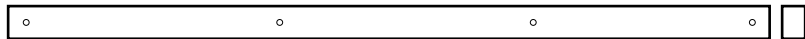
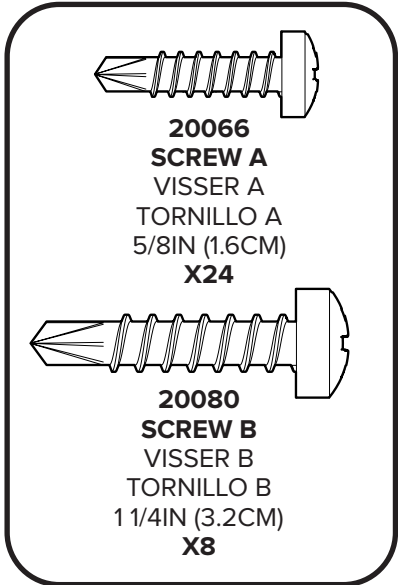
16086 - SLATE - ARDOISE - PIZARRA
15086 - ESPRESSO - EXPRESSO - ESPRESSO
FLOOR BOARD A - PLANCHE D'ÉTAGE A - TABLERO DE PISO A
 16" (40.6CM) - **X3**



16087 - SLATE - ARDOISE - PIZARRA
15087 - ESPRESSO - EXPRESSO - ESPRESSO
FLOOR BOARD B - PLANCHE D'ÉTAGE B - TABLERO DE PISO B
 16" (40.6CM) - **X1**



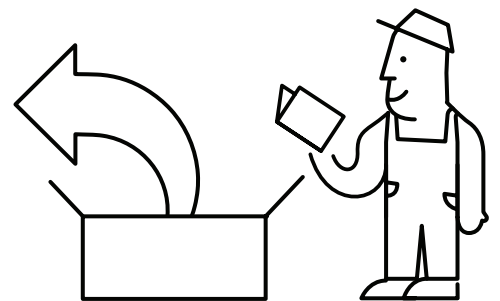
16131 - SLATE - ARDOISE - PIZARRA
15131 - ESPRESSO - EXPRESSO - ESPRESSO
FLOOR BOARD C - PLANCHE D'ÉTAGE C - TABLERO DE PISO C
 16" (40.6CM) - **X1**



16088 - SLATE SLATE - ARDOISE - PIZARRA
15088 - ESPRESSO - EXPRESSO - ESPRESSO
FLOOR BRACE - BRACE DE PLANCHER - BRACE DE PISO
 28 1/2" (72.4CM) - **X2**



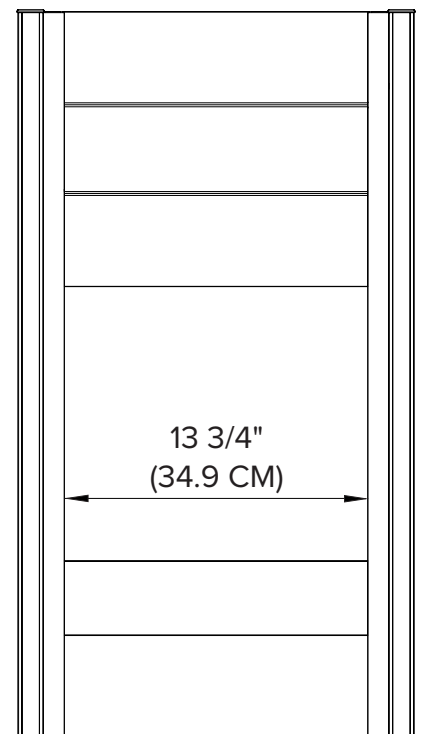
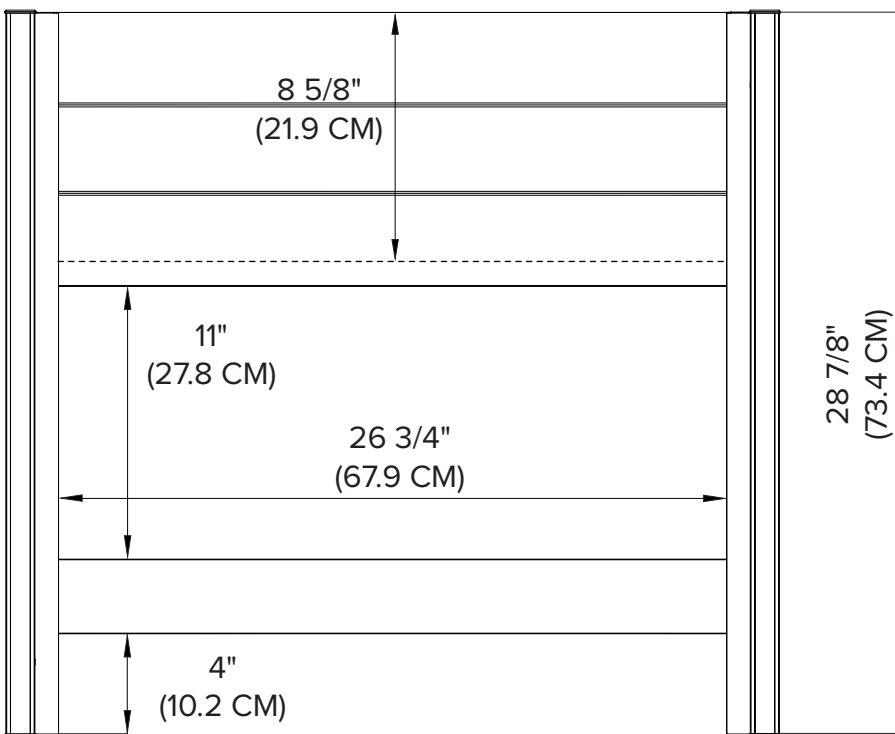
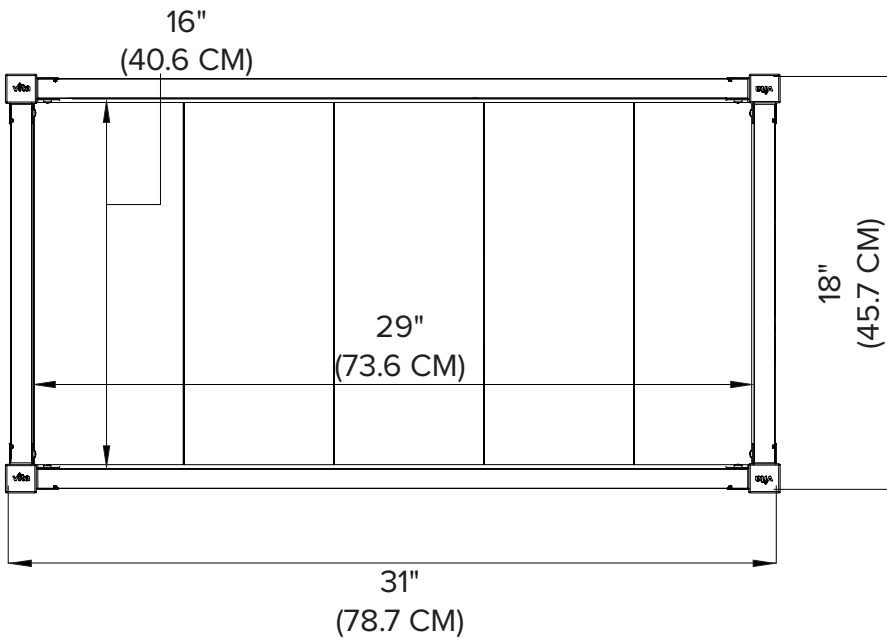
16325
POST CAP - TETE DE POTEAU - TAPON
X8



PRODUCT DIMENSIONS

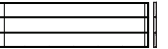
DIMENSIONS DU PRODUIT

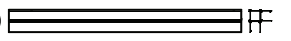
DIMENSIONES DEL PRODUCTO




1

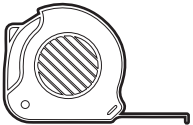
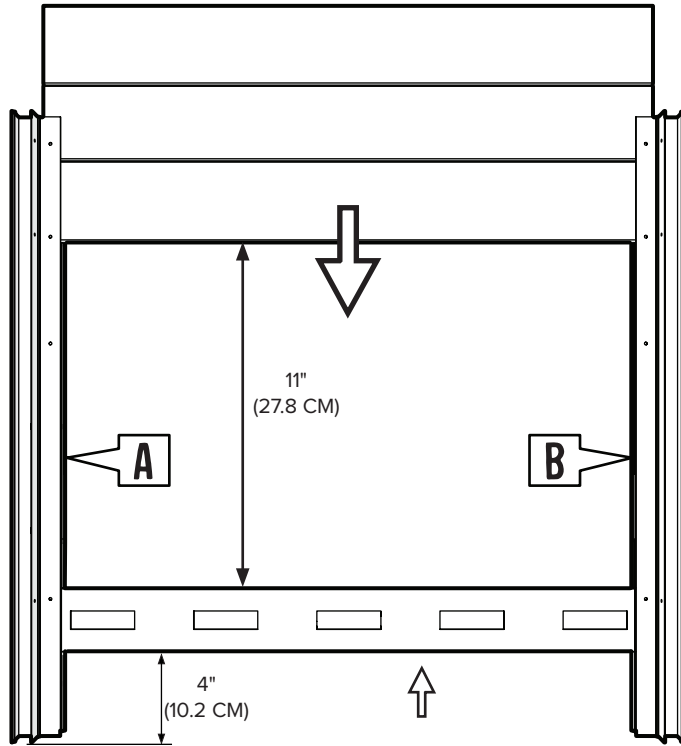
x2

16081/15081 - x2 (A) 

16079 - x2 (A) 

16080 - x2 (B) 


16083/15083 - x2 (A) 

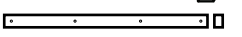


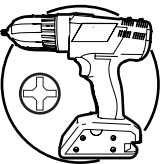
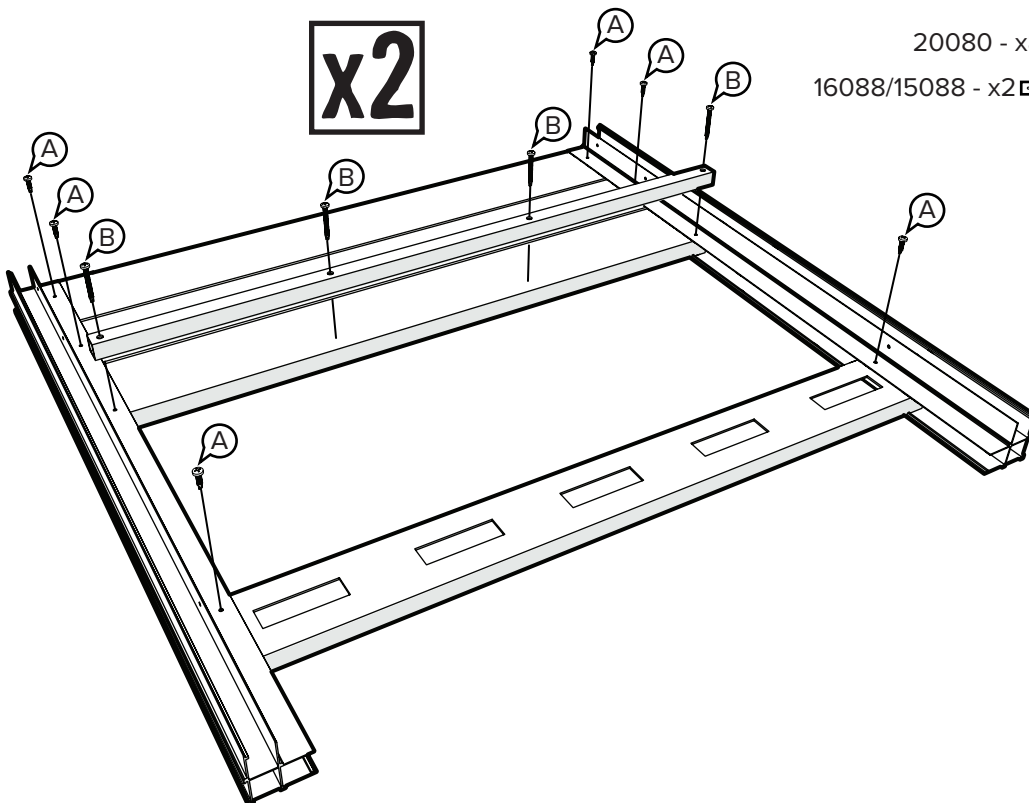
2

x2

20066 - x12 (A) 

20080 - x8 (B) 

16088/15088 - x2 

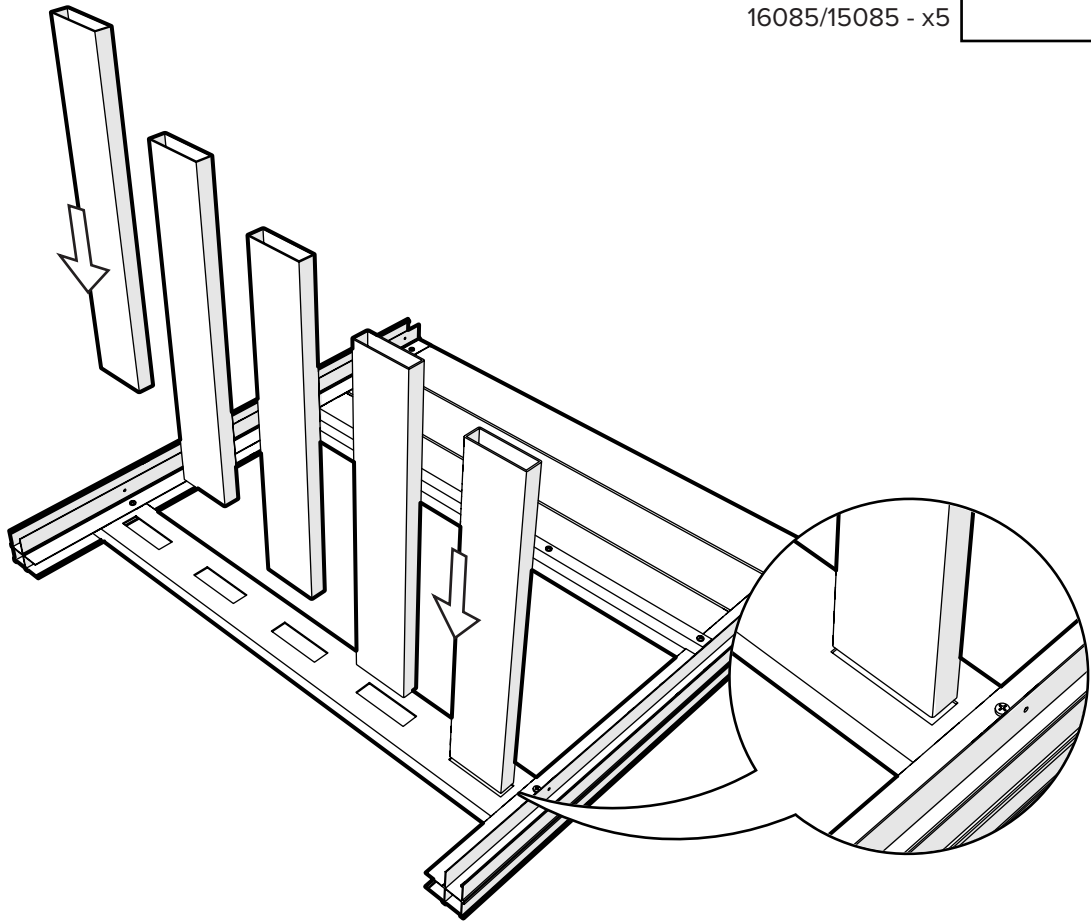
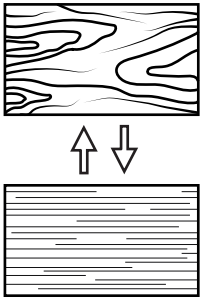


PHILIPS #2




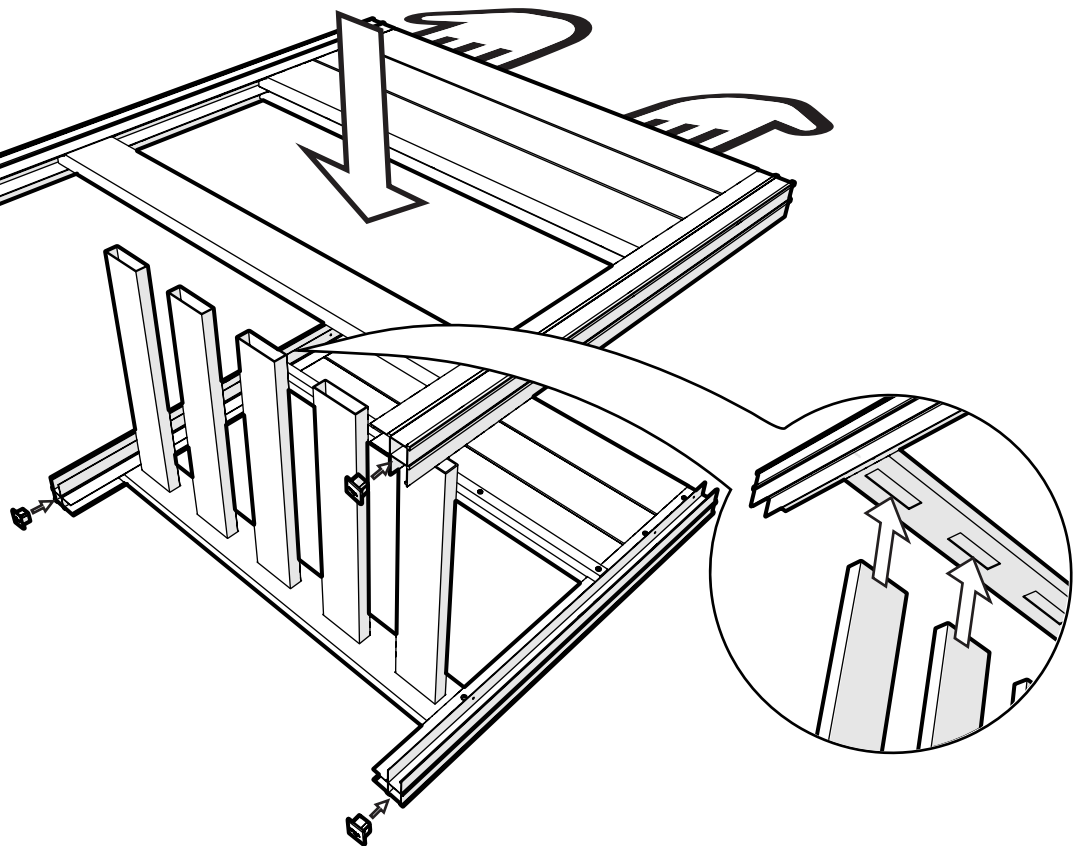
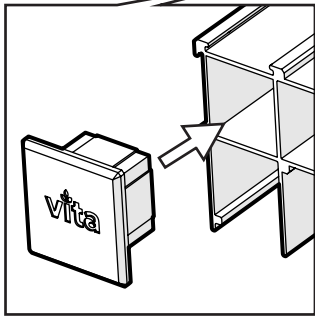
3

16085/15085 - x5 



4

16325 - x4 

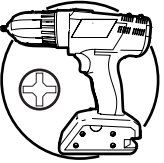
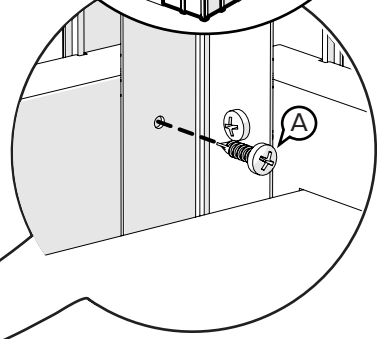
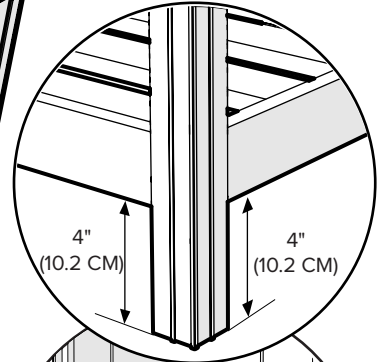
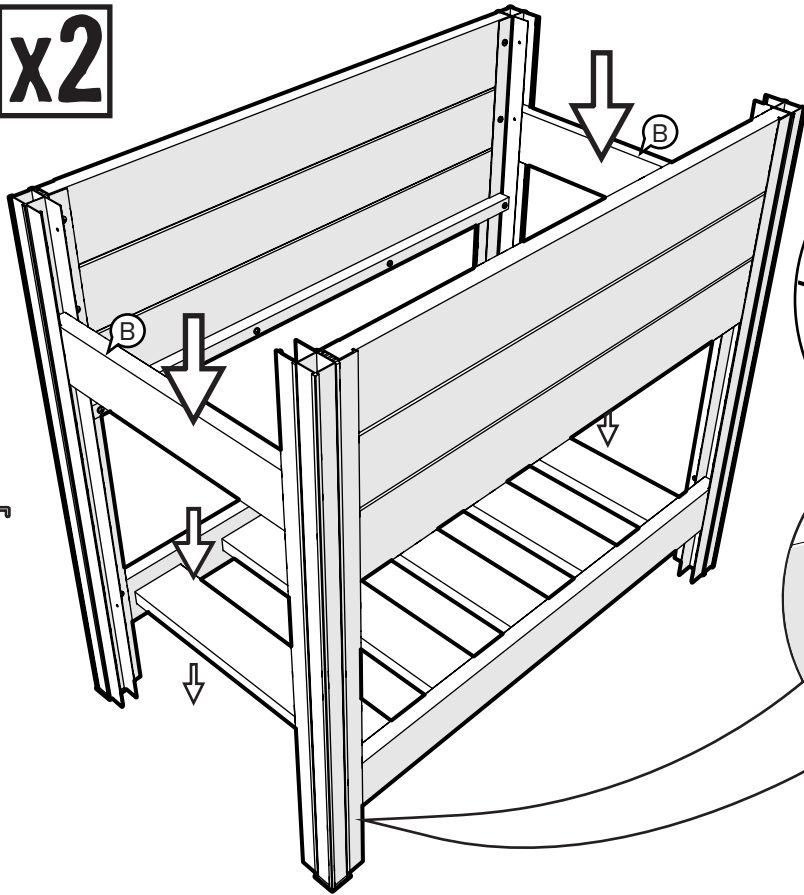


5

x2

16084/15084 - x2 (B)

20066 - x4 (A)



PHILIPS #2

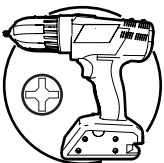
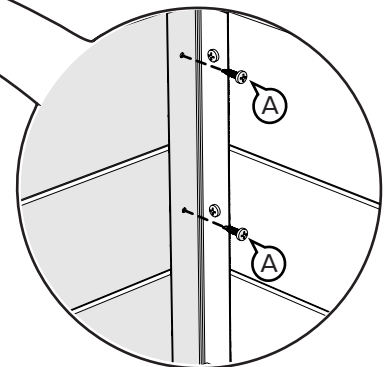
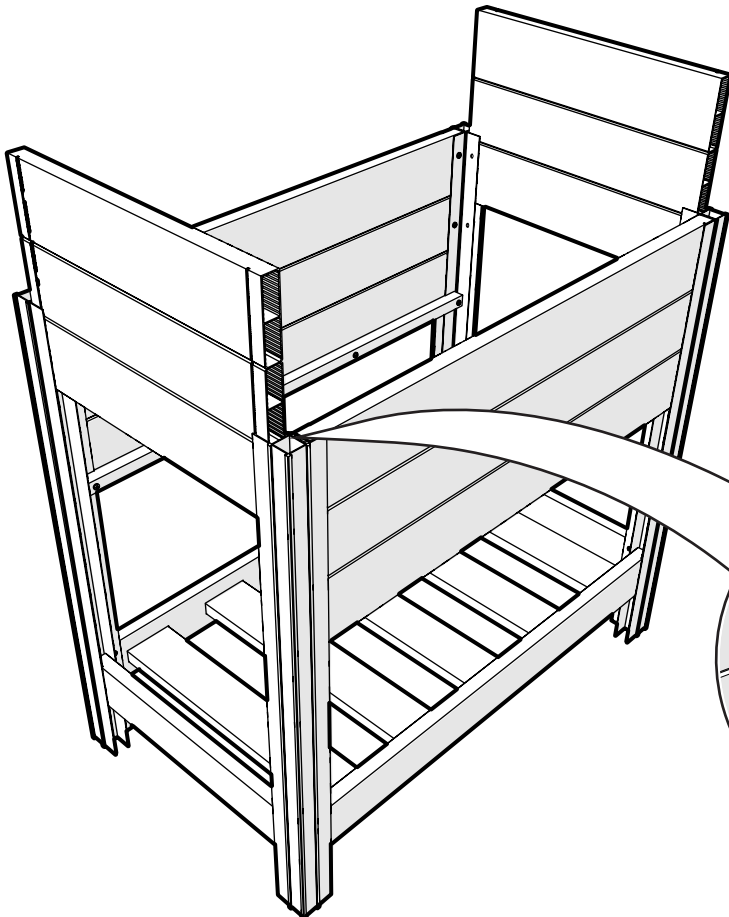


6

x2

20066 - x8 (A)




16082/15082 - x2 (B)

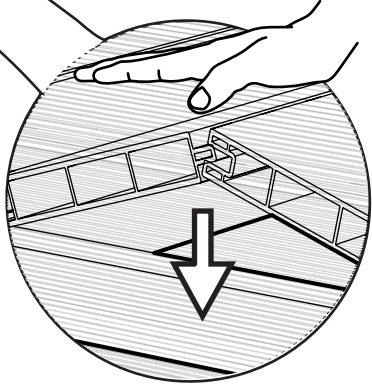
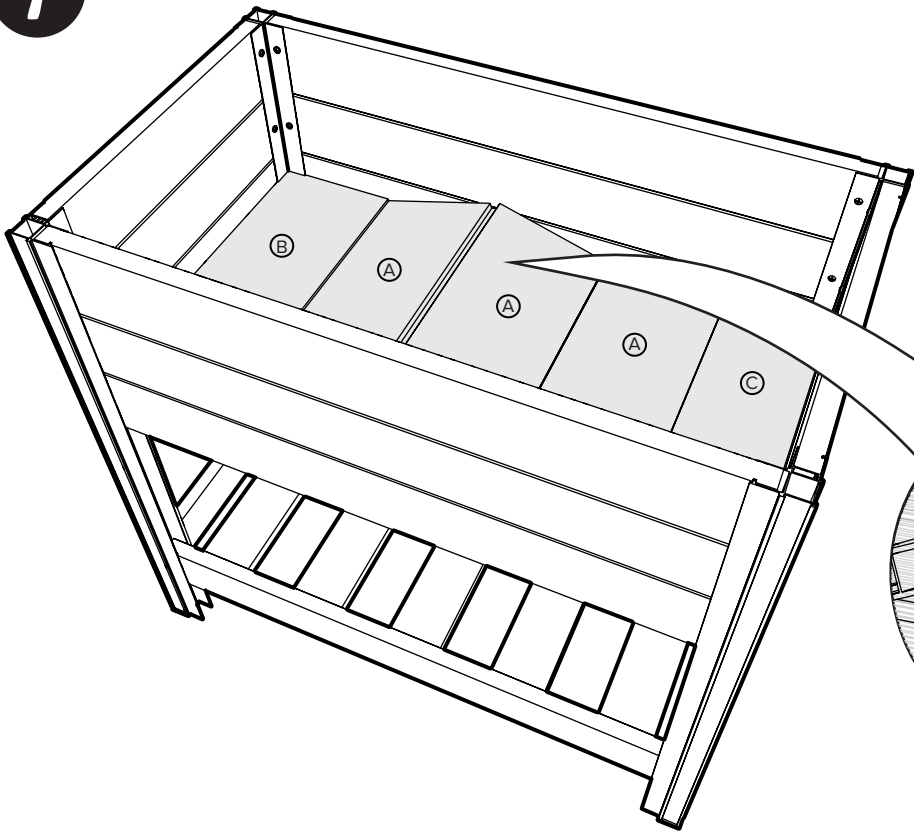


PHILIPS #2



7

- 16086/15086 - x3 (A) 
- 16087/15087 - x1 (B) 
- 16110/15110 - x1 (C) 



8

16325 - x4 