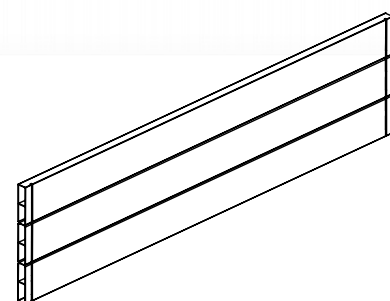
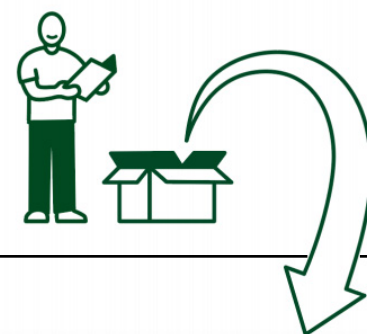
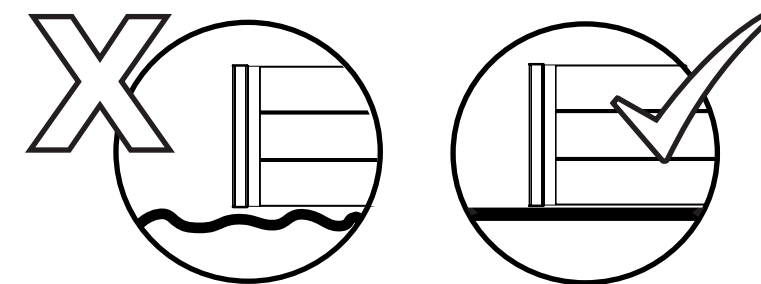
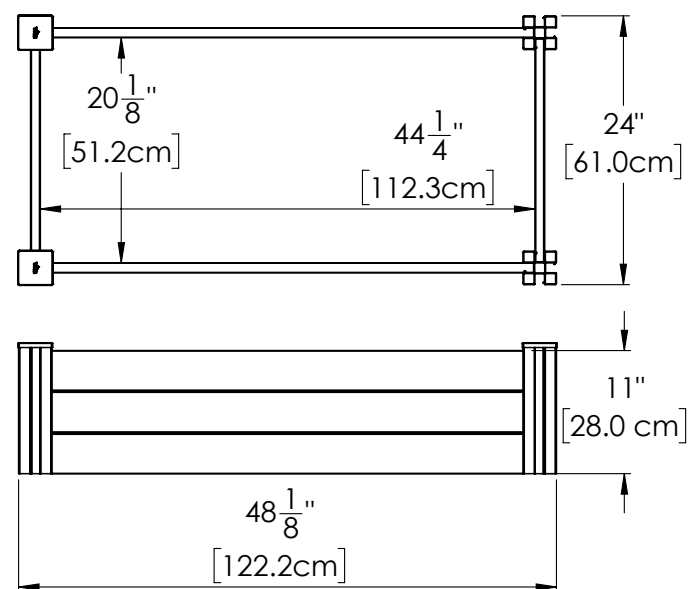


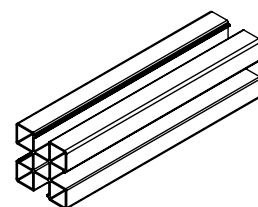
# vita

## 2 X 4 RAISED GARDEN

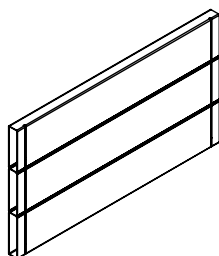
2 X 4 JARDIN SURÉLEVÉ  
2 X 4 JARDÍN ELEVADO  
VT17124



1



2

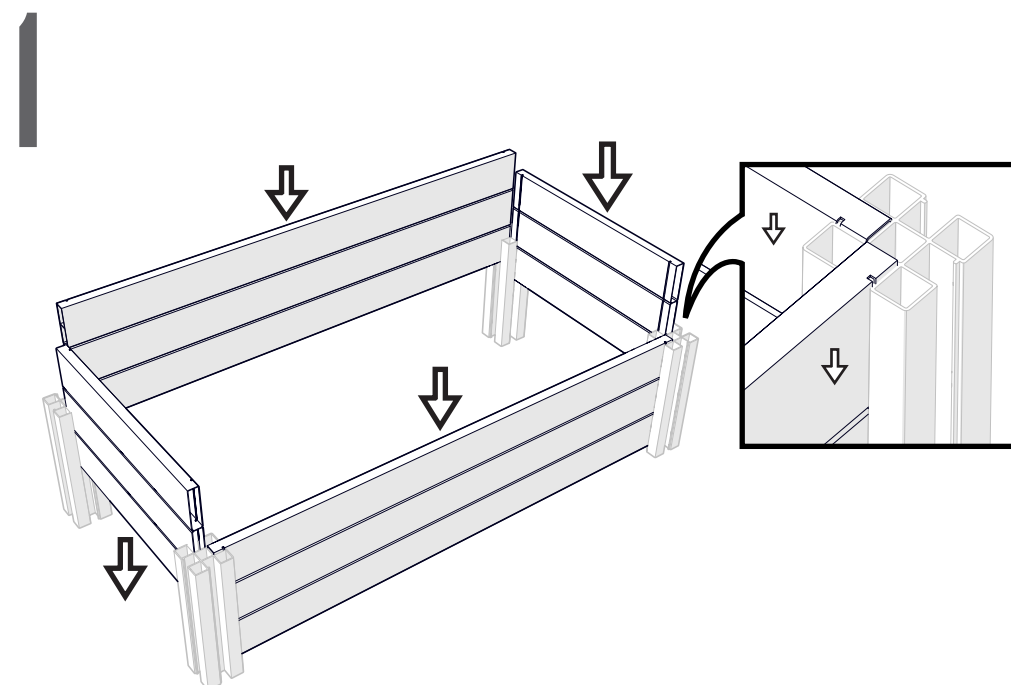


3

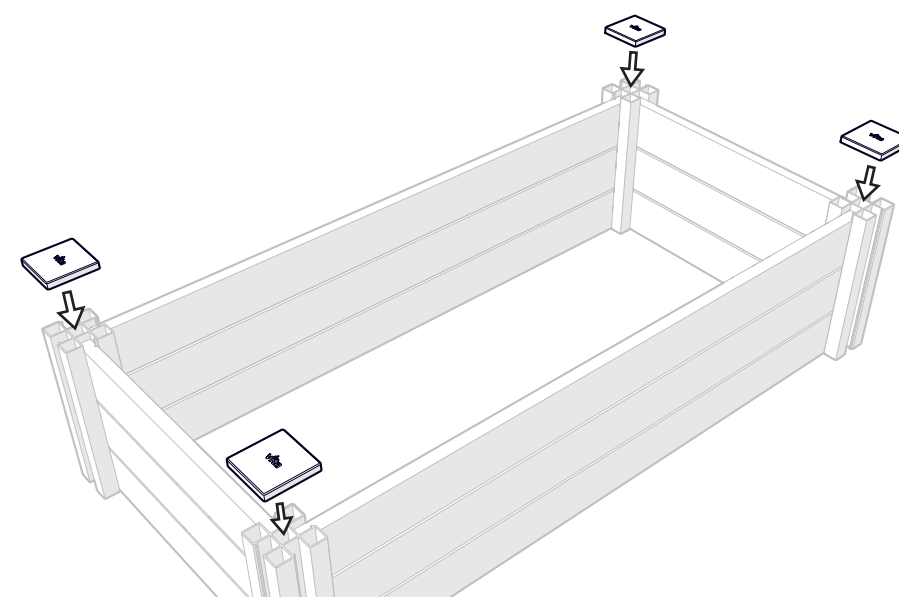


4

ITEM NO.	Part Number	Description	Dimensions	QTY.
1	60047	Long Wallboard	44" x 11" (111.7 CM x 27.9 CM)	2
2	60048	Post	11.5" (29.2 CM)	4
3	60052	Short Wallboard	20" X 11" (50.6 CM X 27.9 CM)	2
4	60045	Post Cap- VITA		4



2



HELLO@WEAREVITA.COM

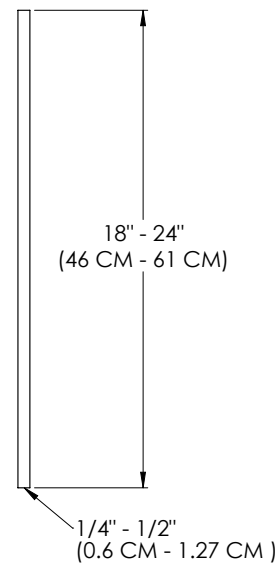
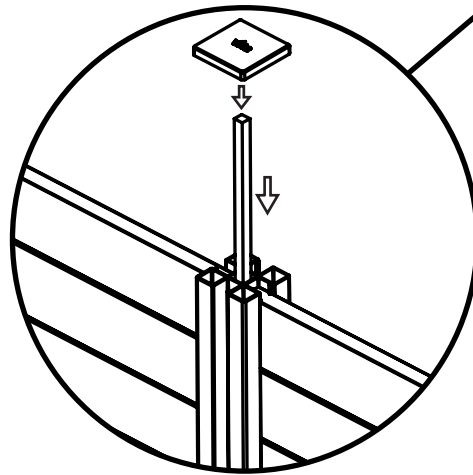
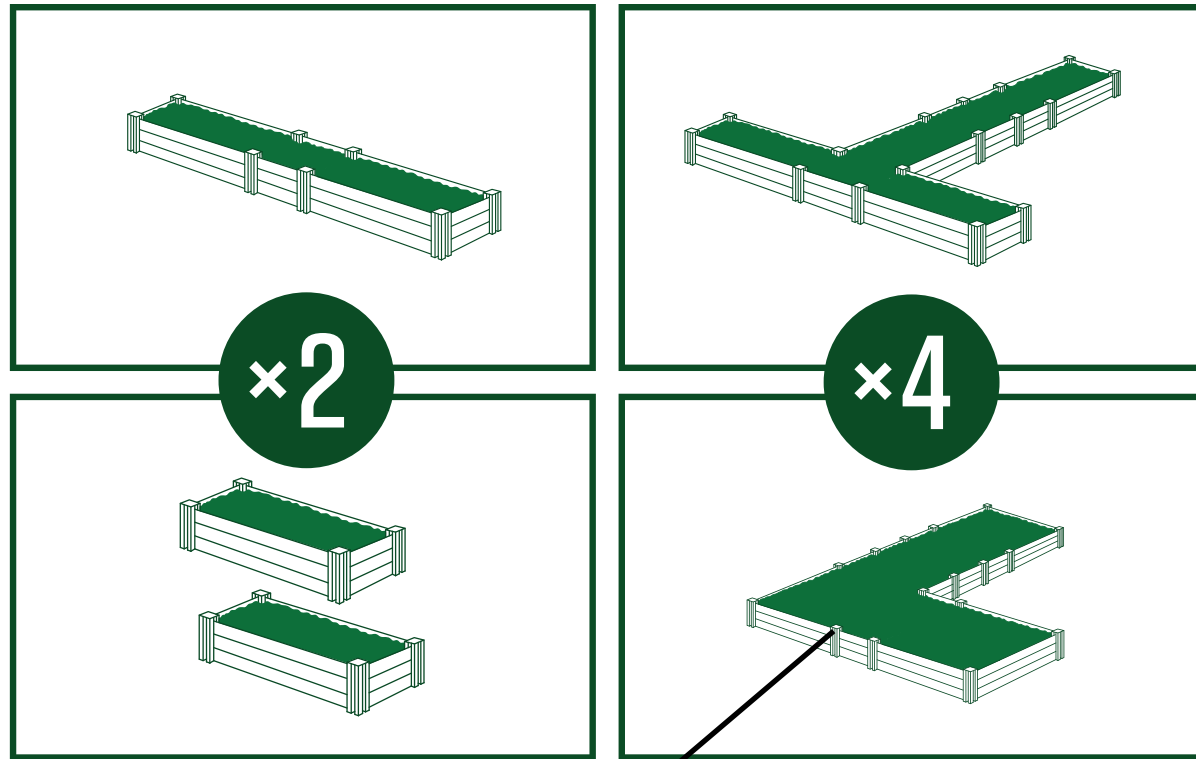


1-800-282-9346  
MONDAY - FRIDAY | 8AM - 5PM EST



VISIT WWW.WEAREVITA.COM  
CLICK 'CHAT'

**CONNECT MULTIPLES!**  
**CONNECTER PLUSIEURS!**  
**CONECTE LOS MÚLTIPLOS!**



**REBAR GROUND STAKE (NOT INCLUDED)**  
 BARRE D'ARMATURE PIQUET AU SOL (NON INCLUS)  
 ESTACA DE TIERRA DE BARRA DE REFUERZO (NO INCLUIDA)



 [FACEBOOK.COM/WELCOMETOVITA](https://www.facebook.com/welcometovita)

 [PINTEREST.CA/WELCOMETOVITA](https://www.pinterest.ca/welcometovita)

 [@WELCOMETOVITA](https://www.instagram.com/welcometovita)

 [YOUTUBE.COM/VITAFILMS](https://www.youtube.com/vitafilms)

**vita**<sup>®</sup>  
 WEAREVITA.COM