



BENEFICIAL



GARDENS

Instruction Manual

*"If the bee disappeared off the surface of the globe
then man would only have four years left to live" - Albert Einstein.*

Your Beneficial Garden

Your new Vita Beneficial Garden is the first garden kit developed for the sole purpose of creating a balanced garden ecosystem. So often in the past gardeners have tried to control and manipulate nature through pesticides or herbicides. A naturally balanced ecosystem consists of a combination of herbs, plants, flowers and vegetables that attract local beneficial insects and provide a balanced garden environment - a naturally thriving ecosystem.

Furthermore, placement of certain flowers within your vegetables attract beneficial pollinators such as bees and butterflies for both beauty and overall health of garden as well as surrounding environment.

Finally, intermingling different herbs and vegetables together (companion planting) can actually bring more flavor than if they were planted independently. As an example planting basil, oregano and tomatoes together enhance each-other's flavor as they share nutrients in the soil. Flavor in fact comes from the soil. Basil aroma also confuses insects and acts as a natural insect repellent helping your tomatoes resist hungry unwanted insects.

The Importance of Pollinators

Did you know that bees pollinate 1/3 of everything we eat? It's true! Bees play a vital role in sustaining the planet's ecosystem. Nearly 90% of all crops grown for human food require bees and other insects in order to thrive. Your Vita Beneficial Garden provides an `open slate` to allow you to plant flowers that attract these busy pollinators.

What do I plant?

Since growing zones across North America differ greatly we *always* recommend consulting with a local Garden Centre to help choose the correct herbs, flowers and vegetables to grow together in your Beneficial Garden.

Consider your Vita Beneficial Garden as the *palette* for you to paint your pollinator ecosystem.

We have, however provided a generic Beneficial Garden layout on the following page that covers most growing zones in North America.

This multi layered vessel also creates a visual of shape, texture and colour and offers a classic visual habitat supporting biodiversity in the gardens ecosystem.

Example Layout



sunset



sunrise

1

2' x 4' x 7 3/8": Marigolds, Eggplant, Rosemary

The marigolds are ornamental flowers which create a scent barrier to deter other insect pests from your vegetables and these ornamental flowers help create a diversity in your garden.

2

2' x 4' x 11": Tomatoes, Eggplant, Sage, Rosemary

Tomatoes and eggplant are members of the nightshade family so can be planted in the same bed. Interplant with Sage and Rosemary which attracts pollinators and beneficial insects to prey upon pests.

3

2' x 4' x 11": Parsley, Chives, Cabbage, Marigolds

Parsley and chives love the east morning sun. Marigolds attract pollinators like bees and butterflies.

4

4' x 4' x 18 3/8": Sage, Basil, Rosemary, Thyme, Oregano

The basil and sage are sun lovers and the southwest exposure to the sun. The basil will help flavor the tomatoes (in cell 2) and will ward off mosquitoes and white flies. The oregano and rosemary would help repel aphids and spider mites and attracts beneficial parasites.

5

2' x 4' x 11": Dill, Cilantro, Marigolds, Cabbage

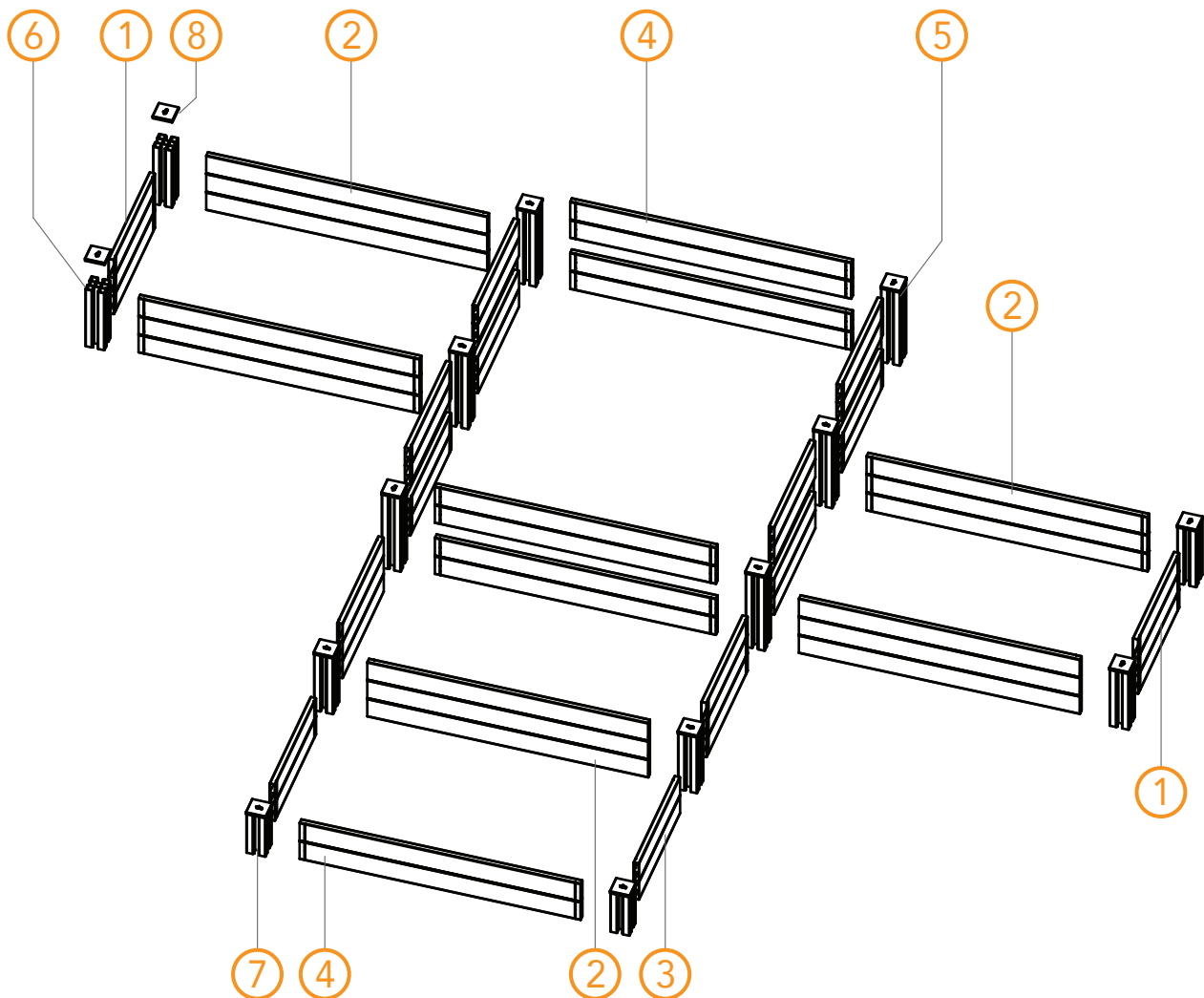
Dill attracts pollinator butterflies and adds flavor to cabbage. Dill and Cilantro prefer shade and moisture and the large vessel helps block morning sun to support the microclimate activity.

Box Contents

Before you begin, please check the box for these contents. In the event of missing or defective parts please call our customer service department at 1.800.282.9346 Mon. to Fri. 8:00 AM to 5:00 PM EST.

Box 1:

1. Wall Boards - A (4) - 7/8" x 11" x 20" (PN: 60052)
2. Wall Boards - B (5) - 7/8" x 11" x 44" (PN: 60047)
3. Wall Boards - C (10) - 7/8" x 7 3/8" x 20" (PN: 60053)
4. Wall Boards - D (5) - 7/8" x 7 3/8" x 44" (PN: 60049)
5. Posts - A (6) - 3" x 3" x 15" (PN: 60054)
6. Posts - B (6) - 3" x 3" x 11 1/2" (PN: 60048)
7. Posts - C (2) - 3" x 3" x 8 1/2" (PN: 60050)
8. Post Caps (14) (PN: 60045)

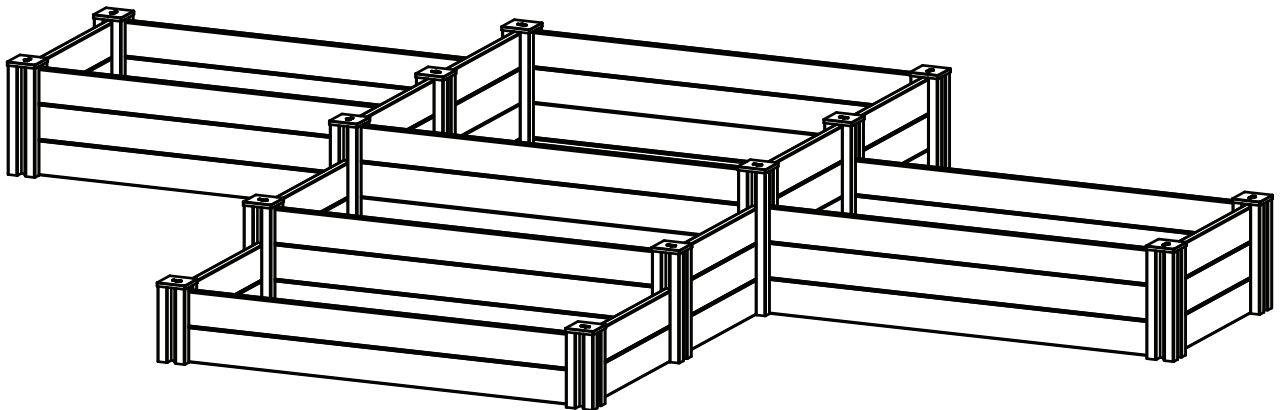
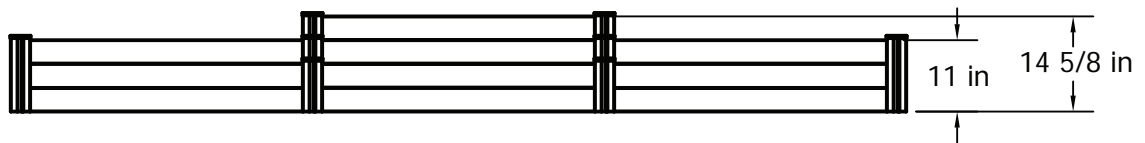
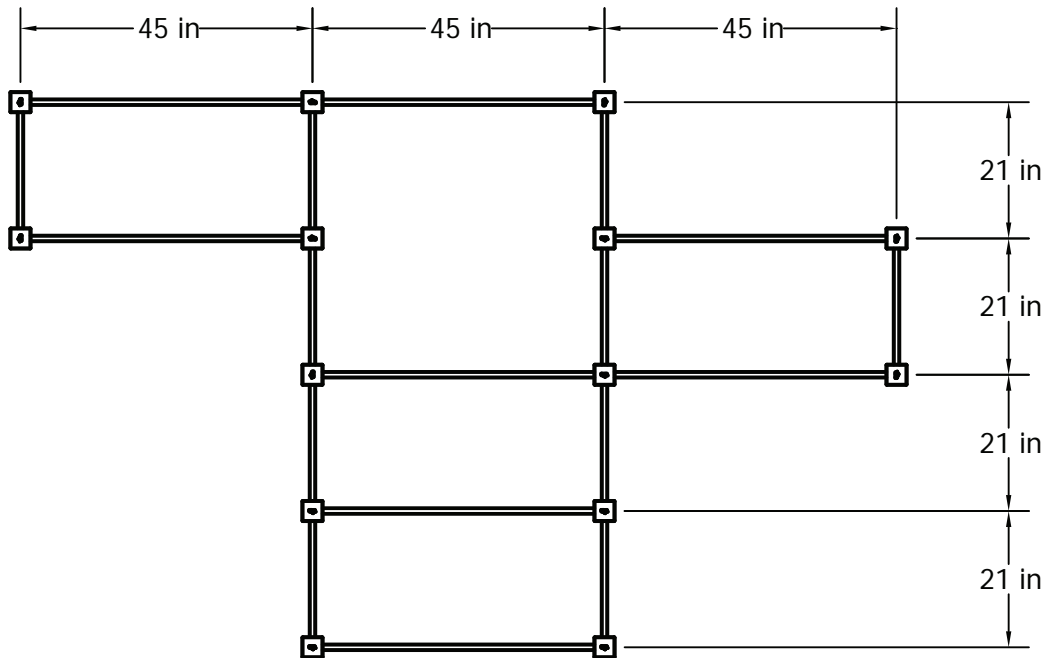


Dimensions & Capacities

Overall footprint: 11' 7" x 7' 4" x 15" high

Planting area: 39 sq ft

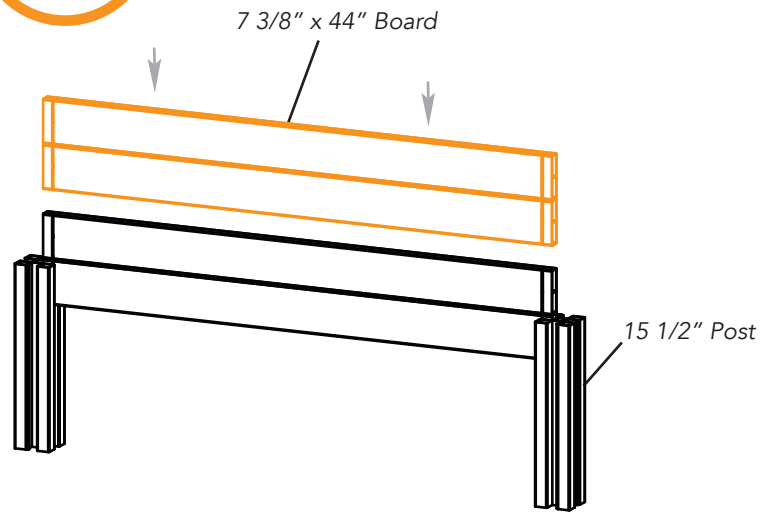
Soil capacity: 34 cu ft (1.3 cu yard)



1

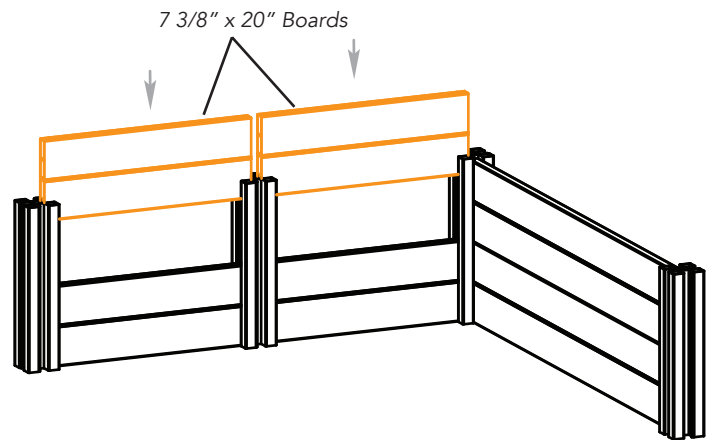
Step 1A

Insert two Wall Boards "D" between two Posts "A" as shown.



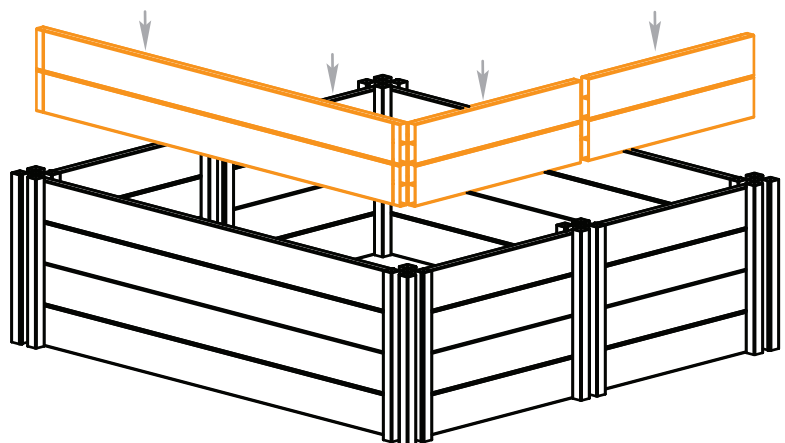
Step 1B

Add four more Wall Boards "C" between two more Posts "A" as shown.



Step 1C

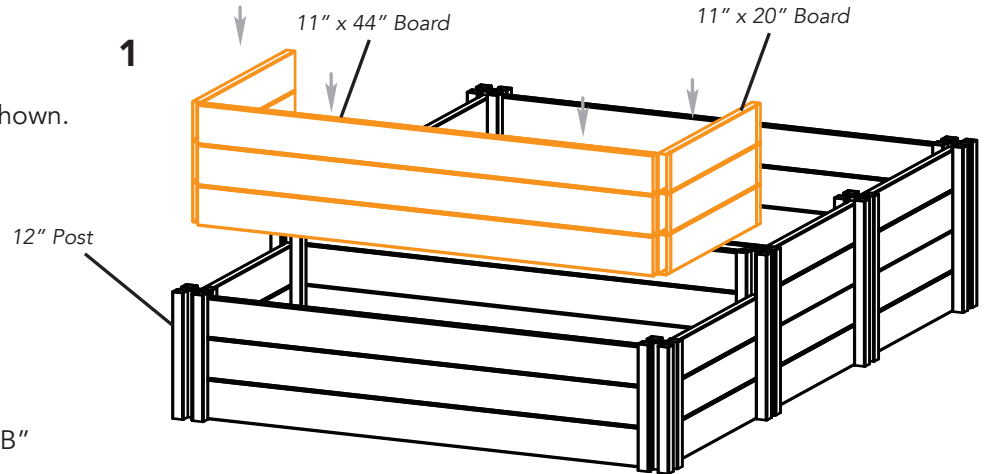
Repeat steps 1 through 2 for the connecting walls as shown.



2

Step 2A

Insert two Wall Boards "A" between two Posts "B" as shown.



Step 2B

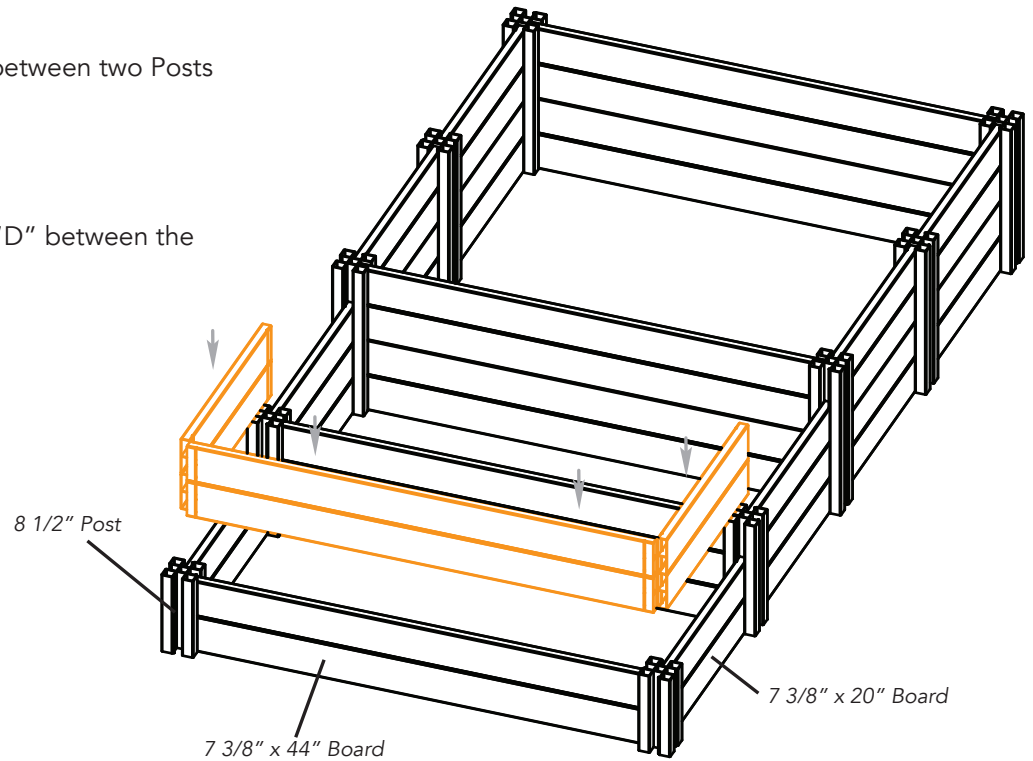
Add one more Wall Board "B" between the Posts "B" as shown.

Step 2C

Insert two Wall Boards "C" between two Posts "C" as shown.

Step 2D

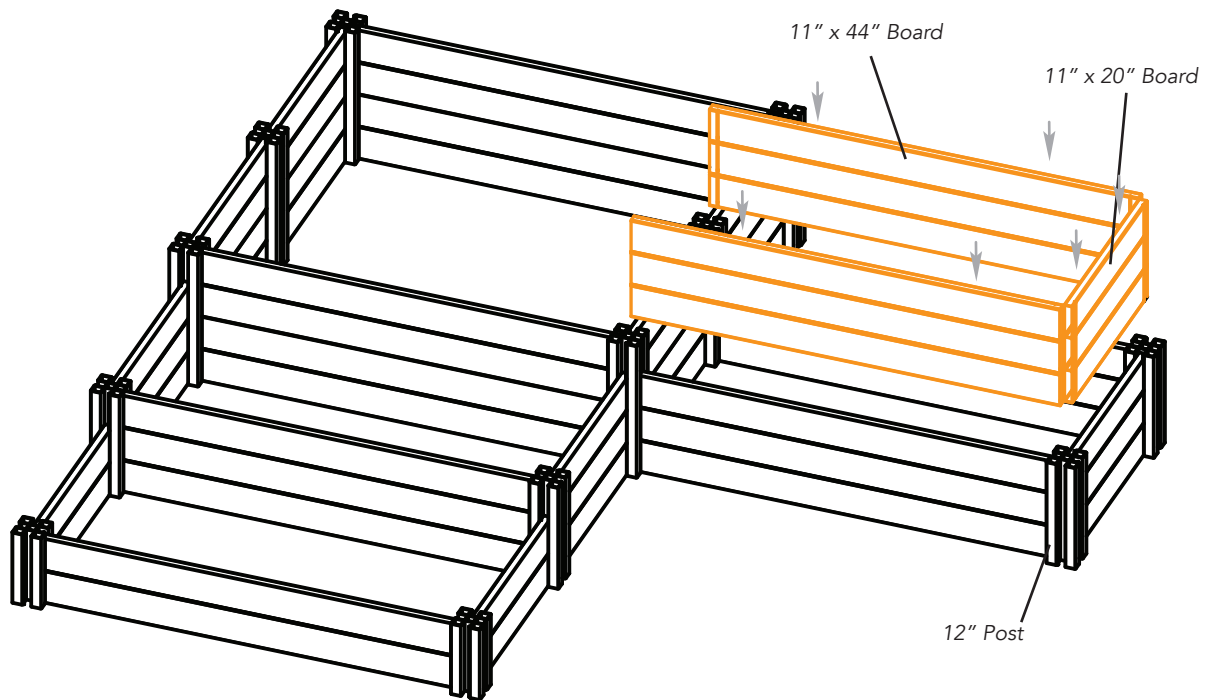
Add one more Wall Boards "D" between the Posts "C" as shown.



3

Step 3A

Insert two Wall Boards "B" between two Posts "B" as shown.



Step 3B

Add one more Wall Board "A" between the two Posts "B" as shown.

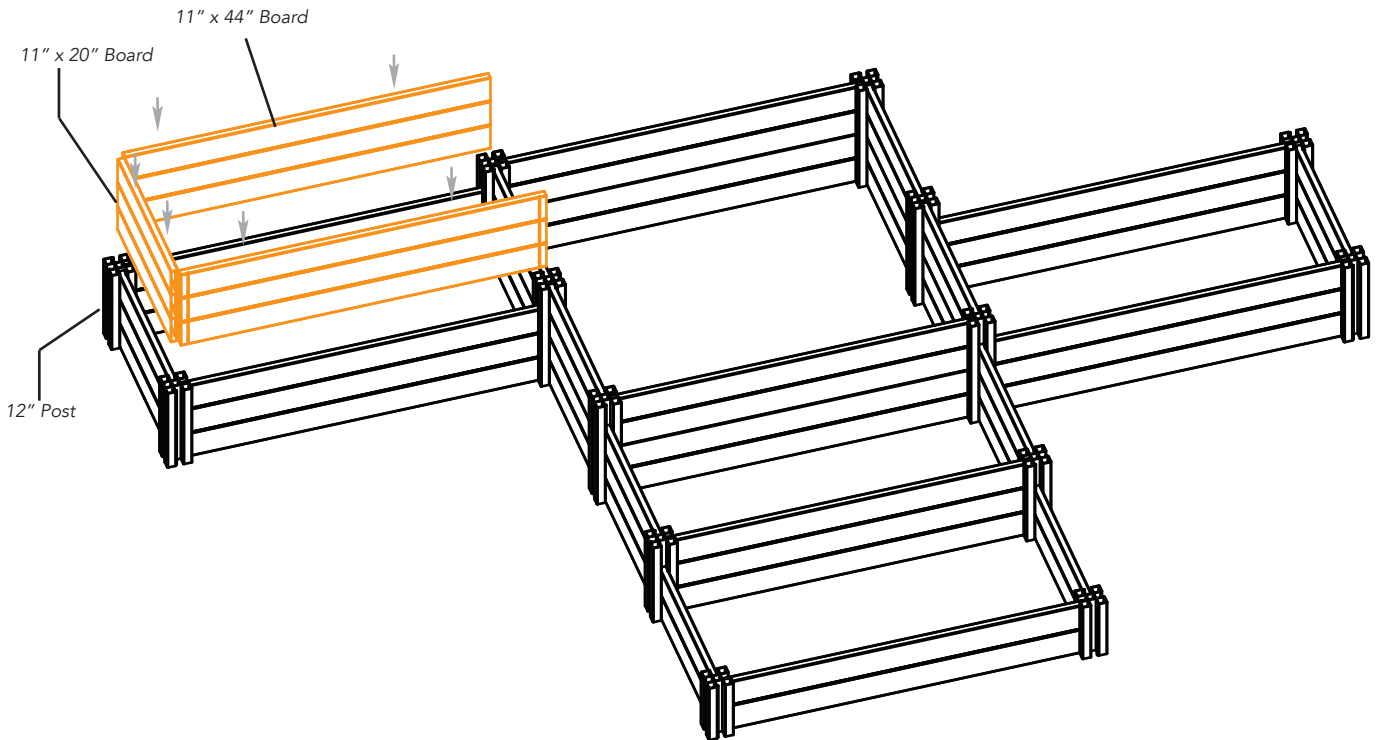
4

Step 4A

Insert two Wall Boards "B" between two Posts "B" as shown.

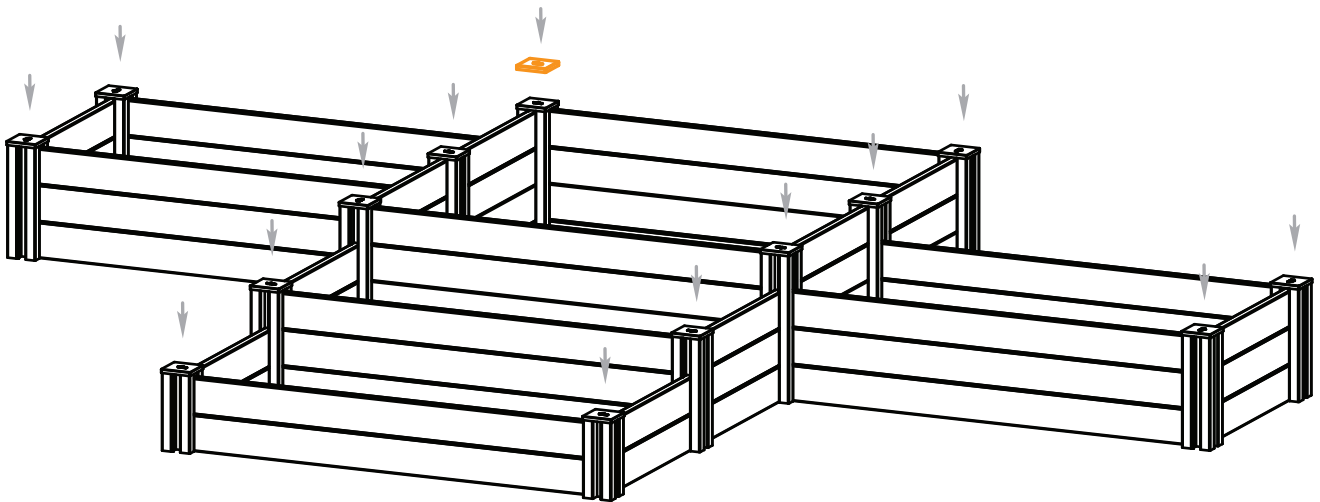
Step 4B

Add one more Wall Board "A" between the two Posts "B" as shown.



Step 4C

Insert the post caps as shown.



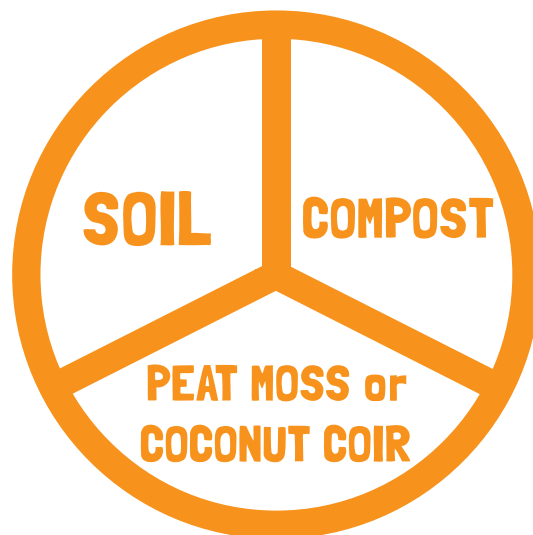
Startup

Fill with soil mixture

Fill your garden with soil (this garden will require about 44 cu ft of soil - or about 1 1/2 - 1 3/4 cubic yard).

Fill your garden with organic soil. We usually recommend a mixture of 1/3 Garden Soil to 1/3 Compost to 1/3 Peat Moss or Coconut Coir.

**Your vegetables enjoy
Peace and Harmony
with this recommended soil blend.**



Warranty

We want you to know that your new Keyhole Garden has a 20 year warranty against:

1. Yellowing
2. Fading
3. Rotting

Maintenance is non-existent as a simple spray with a garden hose will clean the bed from dirt, so you can spend more time growing food than maintaining your garden beds.

If you have any questions about your warranty or about Vita products please call our customer service department at 1.800.282.9346, Mon. to Fri. 8:00 AM to 5:00 PM EST.

Happy Growing!

General Info

- **Read Instructions through carefully before beginning assembly.**
- When assembling components, place on a non-abrasive surface (*i.e. shipping box*) to avoid scratching.
- We recommend an area approx 4'x 8' for unobstructed assembling.
- You should not need to use excessive force when assembling components.



The world needs vegetables.

www.wearevita.com

1-800-282-9346