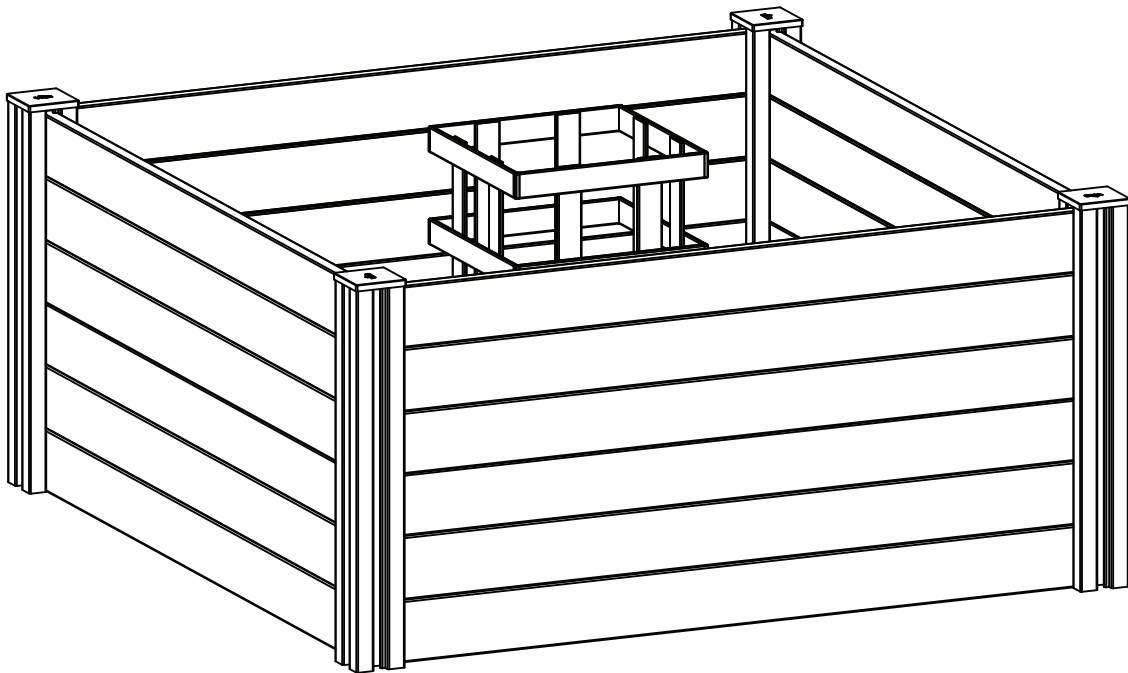




**ASSEMBLY
GUIDE**

4 x 4 Keyhole Composting Garden

48" x 48" x 23 7/8" (122 cm x 122 cm x 61 cm)



Congratulations!

We're thrilled that you chose to purchase your Vita Keyhole Garden. We're sure that you'll not only grow healthy foods but you'll have fun too.

Inspired by the African keyhole gardening technique the Keyhole Composting Garden lets you compost household waste and grow vegetables in the same garden.



Kageyo Garden Project

Vita designers stumbled upon the Keyhole garden concept while researching organic gardening methods. This inspired them to create their own series of garden beds using this African gardening technique. This idea was gifted to them by the African people and so they felt compelled to "give back".

The Kageyo Garden Project was born, and now partnered with "Thrive", Vita distributes a portion of their Keyhole profits to build Keyhole Gardens in Rwanda and educate communities in sustainable, healthy food production.

A Great Investment

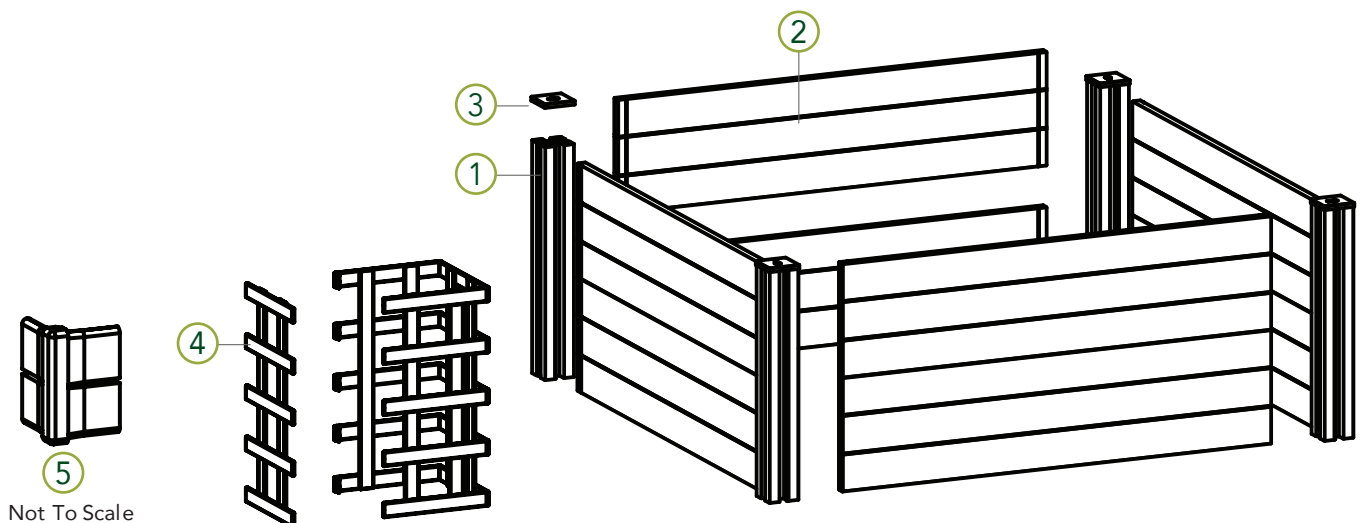
Your new Vita Keyhole Garden is a fantastic investment for many reasons:

1. Grow your own healthy organic foods
2. Reduce your kitchen waste - and greenhouse gasses
3. Create your own garden soil with easy composting
4. Reduce your water consumption
5. Naturally control weeds
6. Plant earlier (the soil warms faster)

Box Contents

Before you begin, please check the box for these contents. In the event of missing or de-fective parts please call our customer service department at 1.800.282.9346 Mon. to Fri. 8:00 AM to 5:00 PM EST.

1. Posts (4) - 3" x 3" x 22 1/2" (PN: 60073)
2. Side panels (8) - 7/8" x 11" x 44" (PN: 60047)
3. Post caps (4) (PN: 60045)
4. Basket side panels (4) (PN: 60008)
5. Basket corner joiner brackets (20) (PN: 60009)

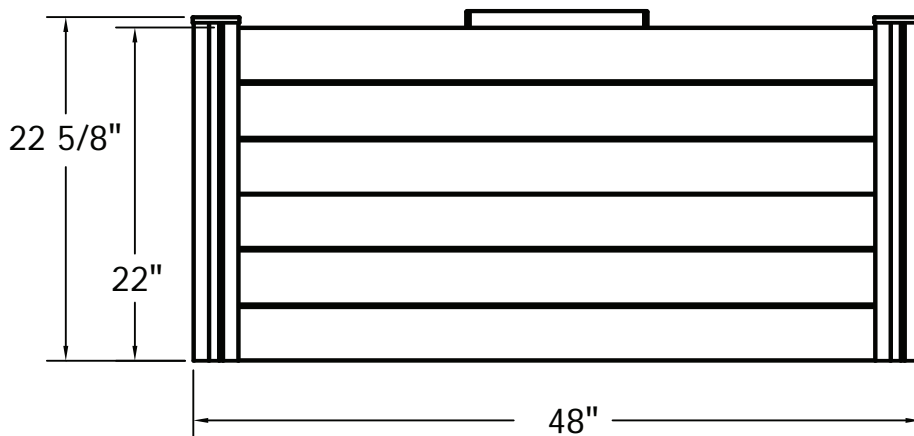
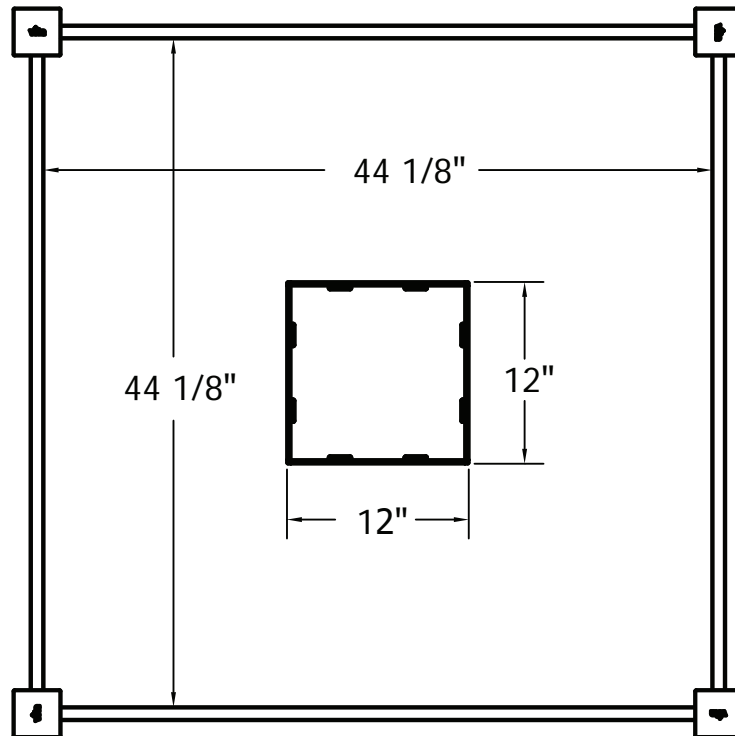


General Info

- **Read Instructions through carefully before beginning assembly.**
- When assembling components, place on a non-abrasive surface (i.e. *shipping box*) to avoid scratching.
- We recommend an area approx 4'x 8' for unobstructed assembling.
- You should not need to use excessive force when assembling components.

Dimensions

4' x 4' x 22" – Keyhole Garden



Warranty

We want you to know that your new Keyhole Garden has a 20 year warranty against:

1. Yellowing
2. Fading
3. Rotting

Maintenance is non-existent as a simple spray with a garden hose will clean the bed from dirt. You can spend more time growing food than maintaining your garden beds.

If you have any questions about your warranty or with your product, please call our customer service department at 1.800.282.9346, Mon. to Fri. 8:00 AM to 5:00 PM EST.

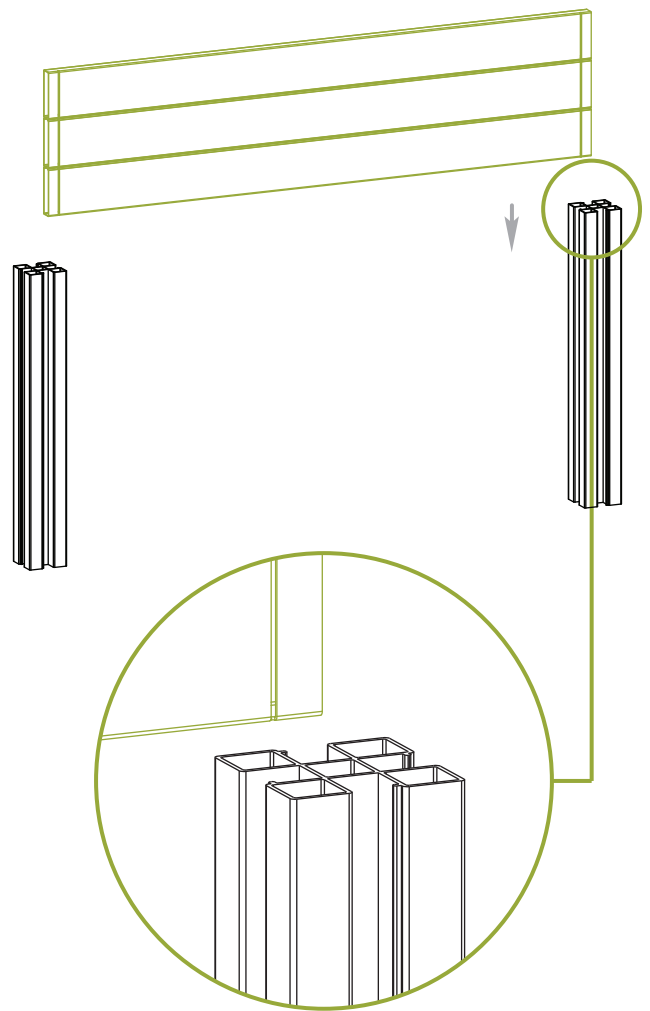
Happy Growing!

1

Step 1A

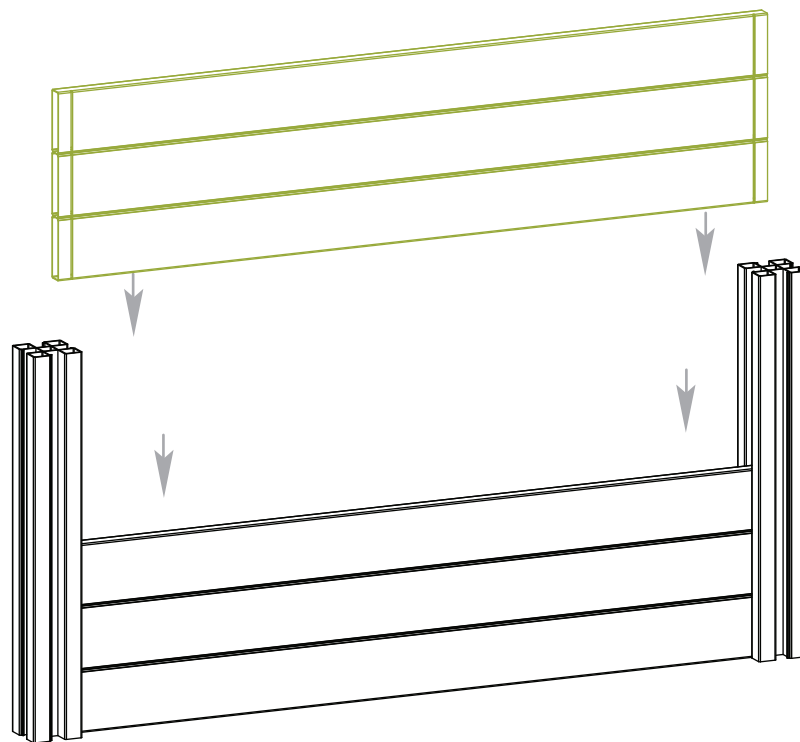
Insert one side panel between the posts as shown.

Notice that there is a groove in the board that corresponds to the tab on the post. This locks the boards in.



Step 1B

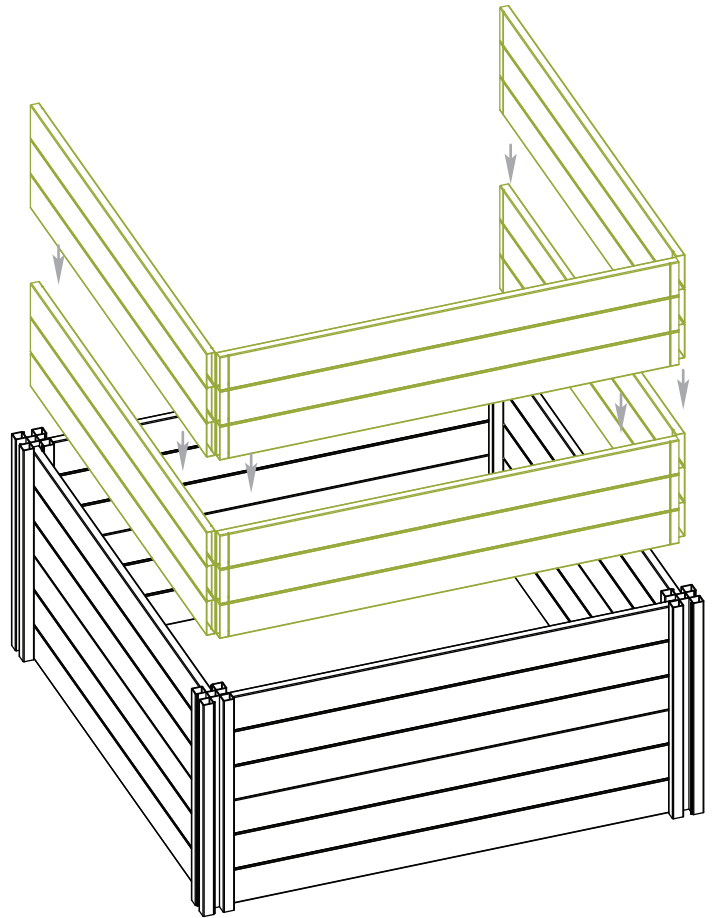
Insert another side between the posts.



2

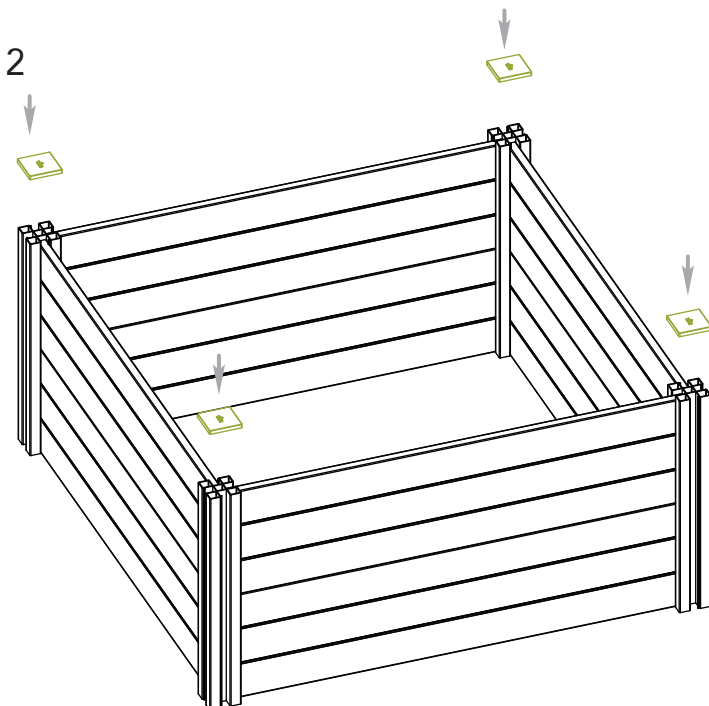
Step 2A

Repeat step 1A with the other boards and posts.

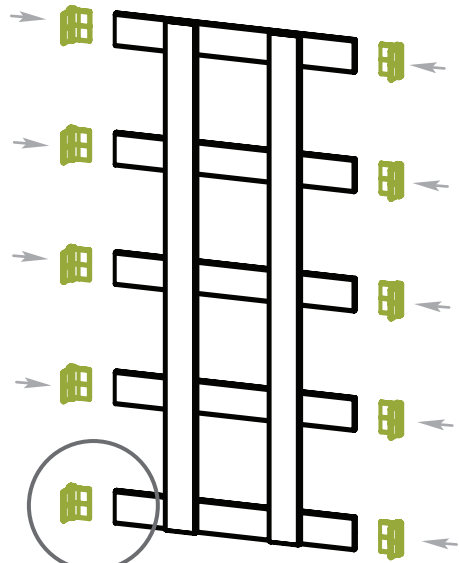


Step 2B

Insert the post caps as shown.

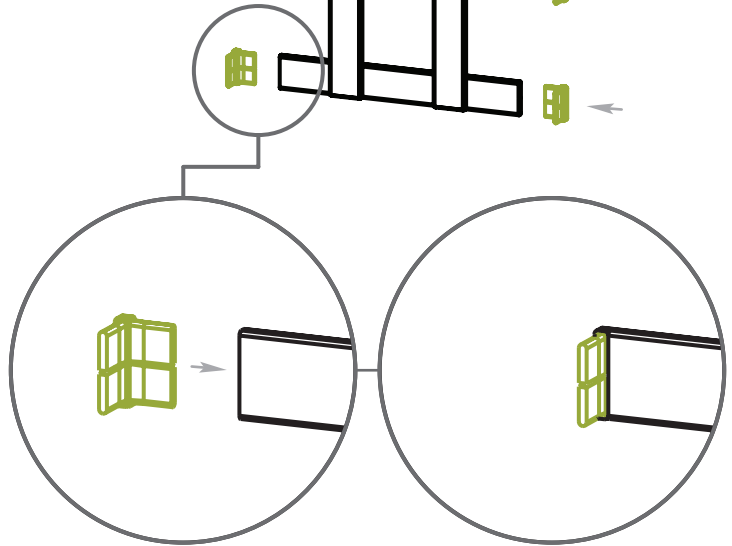


3



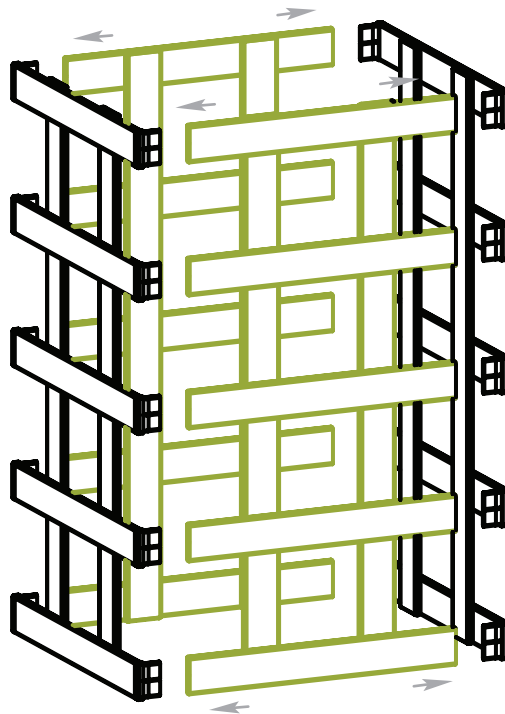
Step 3A

Insert a basket corner joiner bracket into each end of the basket panel as shown. Make sure they are all facing the same way. Repeat for 2 basket panels.



Step 3B

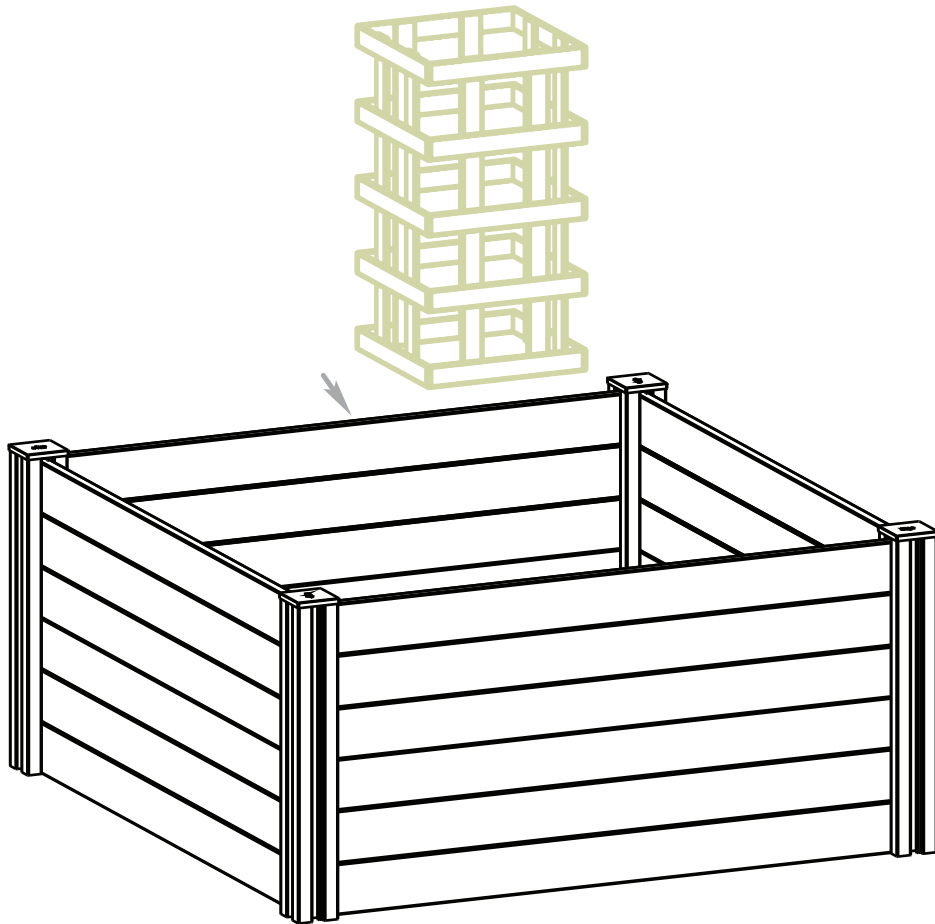
Connect the four basket panels as shown.



4

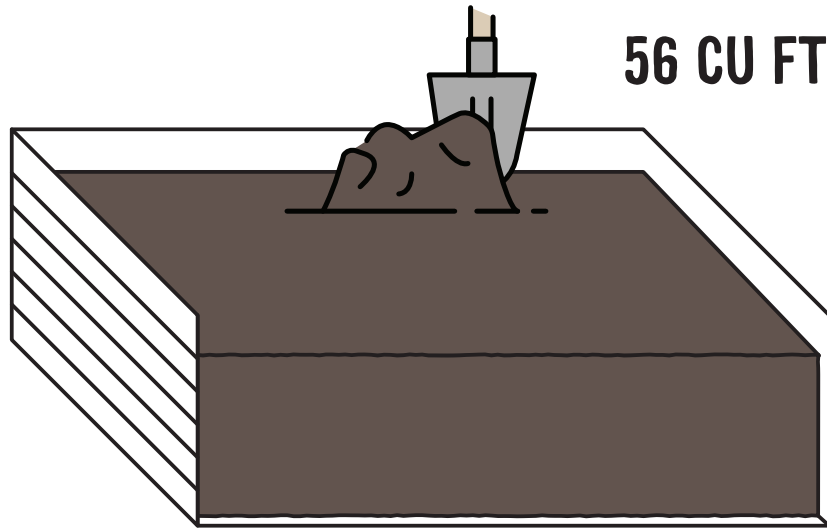
Step 4A

Position your assembled basket inside the garden bed.



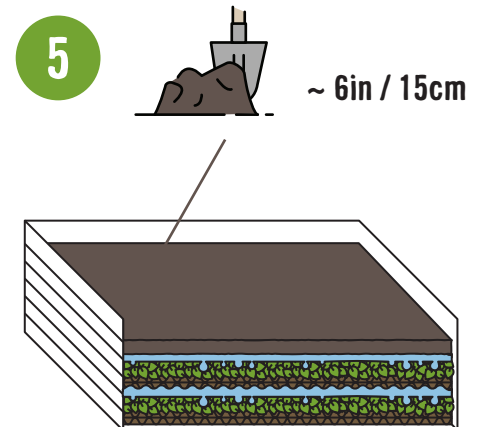
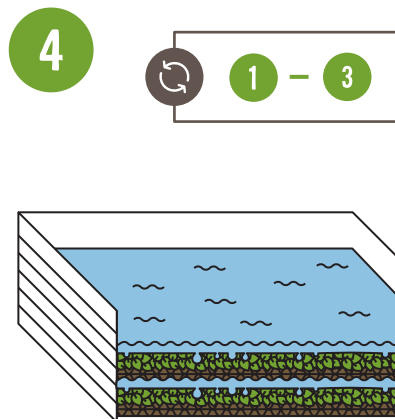
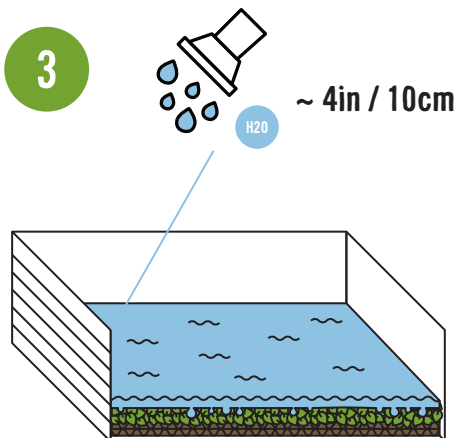
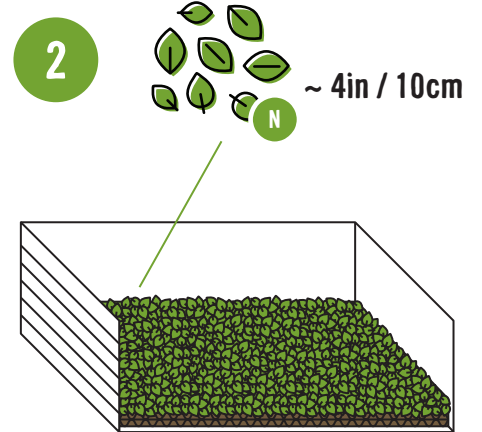
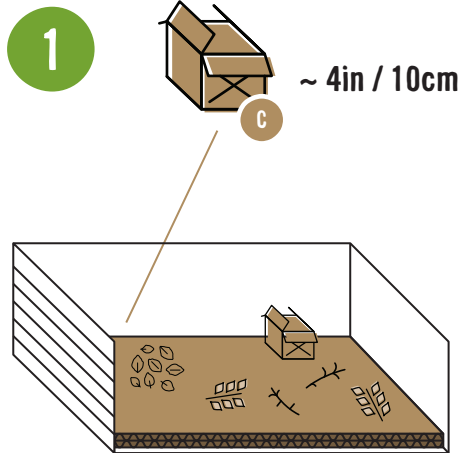
A

FILL WITH SOIL!



B

MAKE YOUR OWN SOIL!



NITROGEN



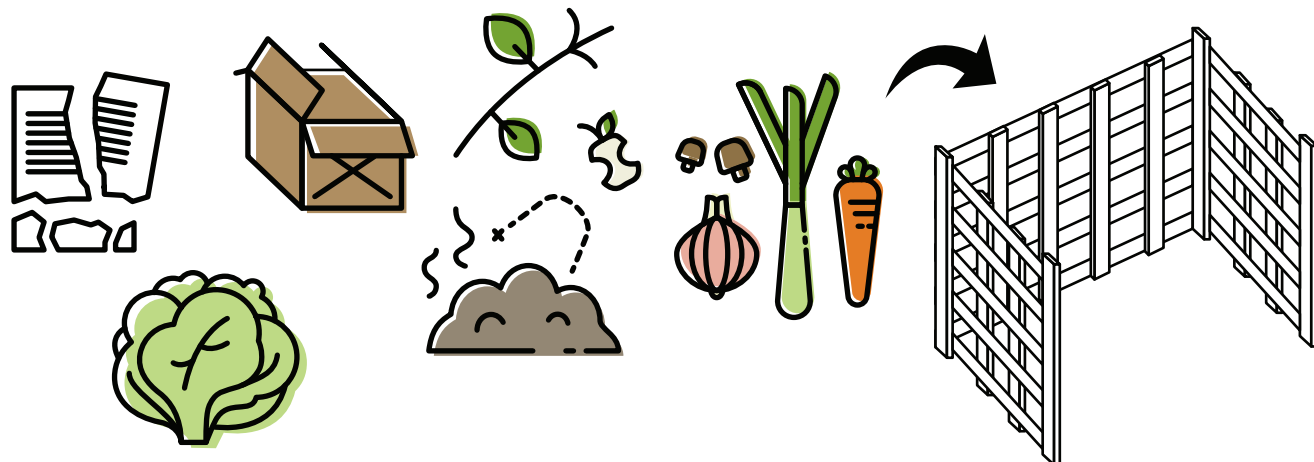
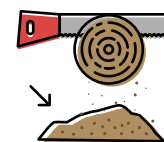
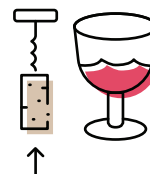
N



CARBON



C



We're here For you.

If you have any questions at all,
don't hesitate to contact us.

NORTH AMERICA TOLL FREE

1-800-282-9346

Visit our website to chat with a support technician.

WWW.WEAREVITA.COM

