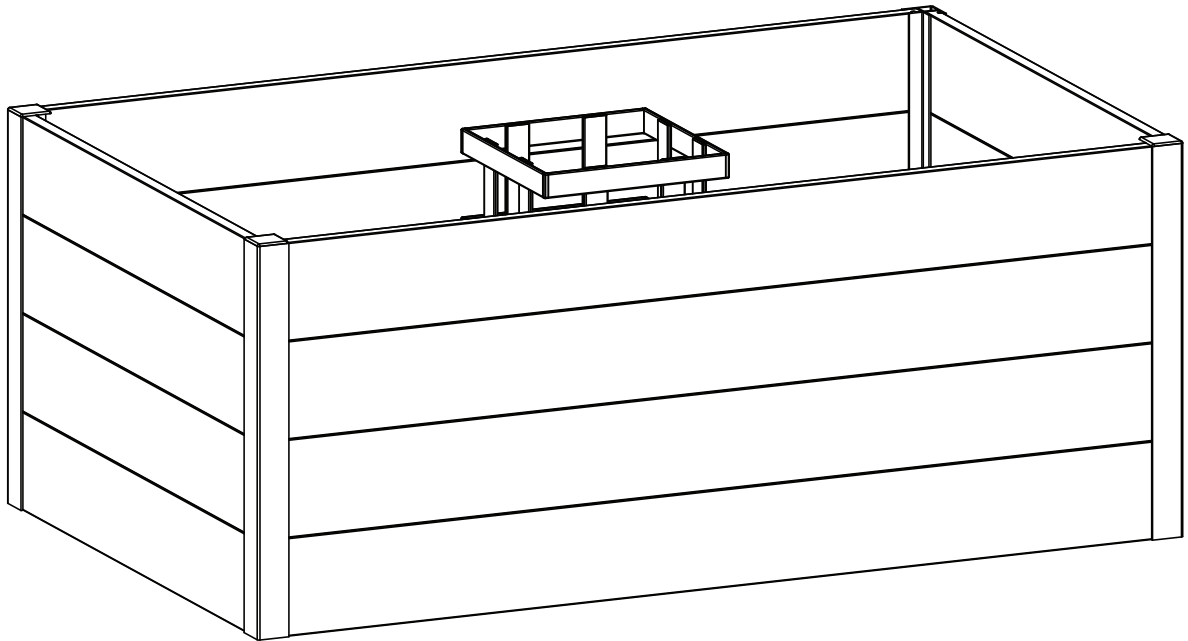




**ASSEMBLY
GUIDE**

3 x 5 Urban Keyhole

91 cm x 152 cm



Congratulations!

We're thrilled that you chose to purchase your Vita Keyhole Garden. We're sure that you'll not only grow healthy foods but you'll have fun too.

Inspired by the African keyhole gardening technique the Keyhole Composting Garden lets you compost household waste and grow vegetables in the same garden.



Kageyo Garden Project

Vita designers stumbled upon the Keyhole garden concept while researching organic gardening methods. This inspired them to create their own series of garden beds using this African gardening technique. This idea was gifted to them by the African people and so they felt compelled to "give back".

The Kageyo Garden Project was born, and now partnered with "Thrive", Vita distributes a portion of their Keyhole profits to build Keyhole Gardens in Rwanda and educate communities in sustainable, healthy food production.

A Great Investment

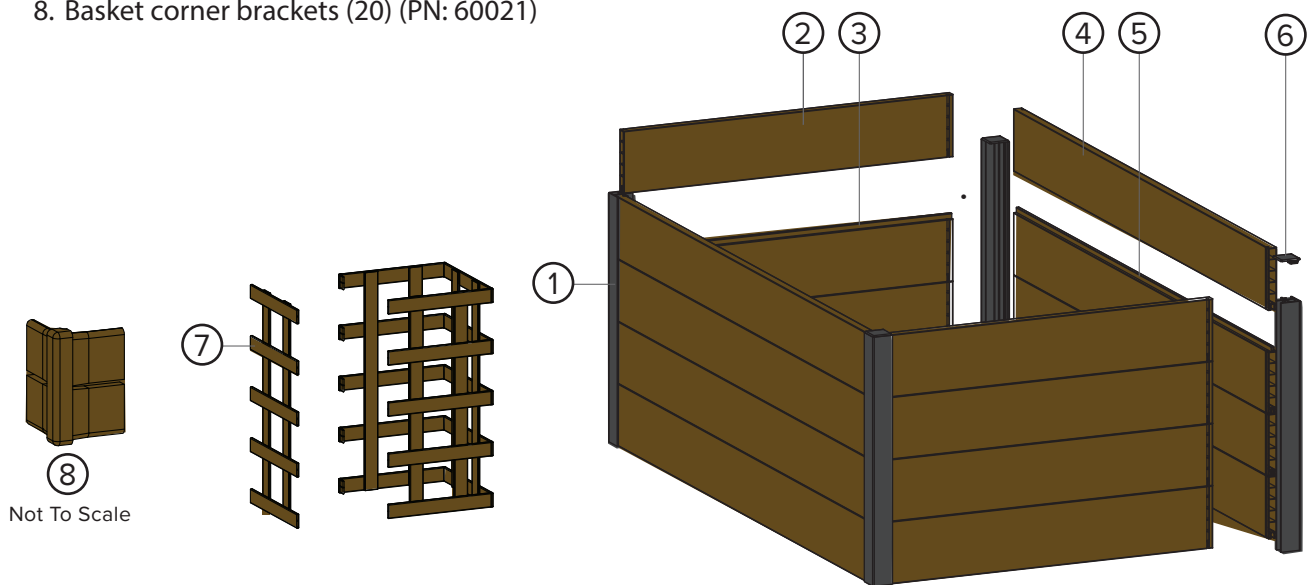
Your new Vita Keyhole Garden is a fantastic investment for many reasons:

1. Grow your own healthy organic foods
2. Reduce your kitchen waste - and greenhouse gasses
3. Create your own garden soil with easy composting
4. Reduce your water consumption
5. Naturally control weeds
6. Plant earlier (the soil warms faster)

Box Contents

Before you begin, please check the box for these contents. In the event of missing or defective parts please call our customer service department at 1.800.282.9346.

1. Aluminum Posts (4) (PN: 60022)
2. Side panels-top (trimmed) (2) - 7/8" x 6" x 37 3/4" (2.2 cm x 15 cm x 96 cm) (PN: 60024)
3. Side panels-bottom (with tongue) (6) - 7/8" x 6" x 37 3/4" (2.2 cm x 15 cm x 96 cm) (PN: 60026)
4. Long panels-top (trimmed) (2) - 7/8" x 6" x 57 3/4" (2.2 cm x 15 cm x 147 cm) (PN: 60025)
5. Long panels-top (with tongue) (6) - 7/8" x 6" x 57 3/4" (2.2 cm x 15 cm x 147 cm) (PN: 60027)
6. Aluminum Post caps (4) (PN: 60023)
7. Basket side panels (4) (PN: 60020)
8. Basket corner brackets (20) (PN: 60021)



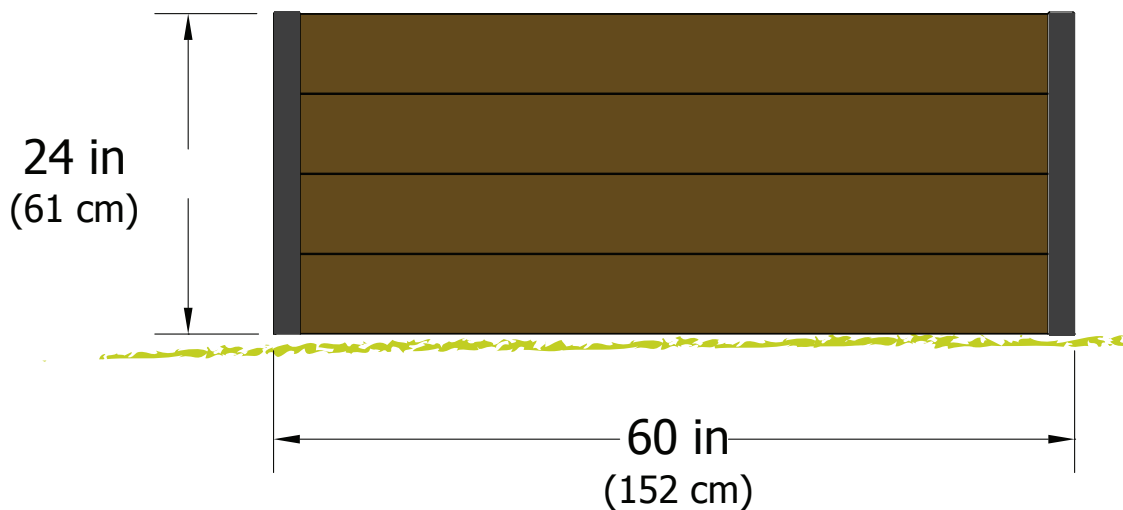
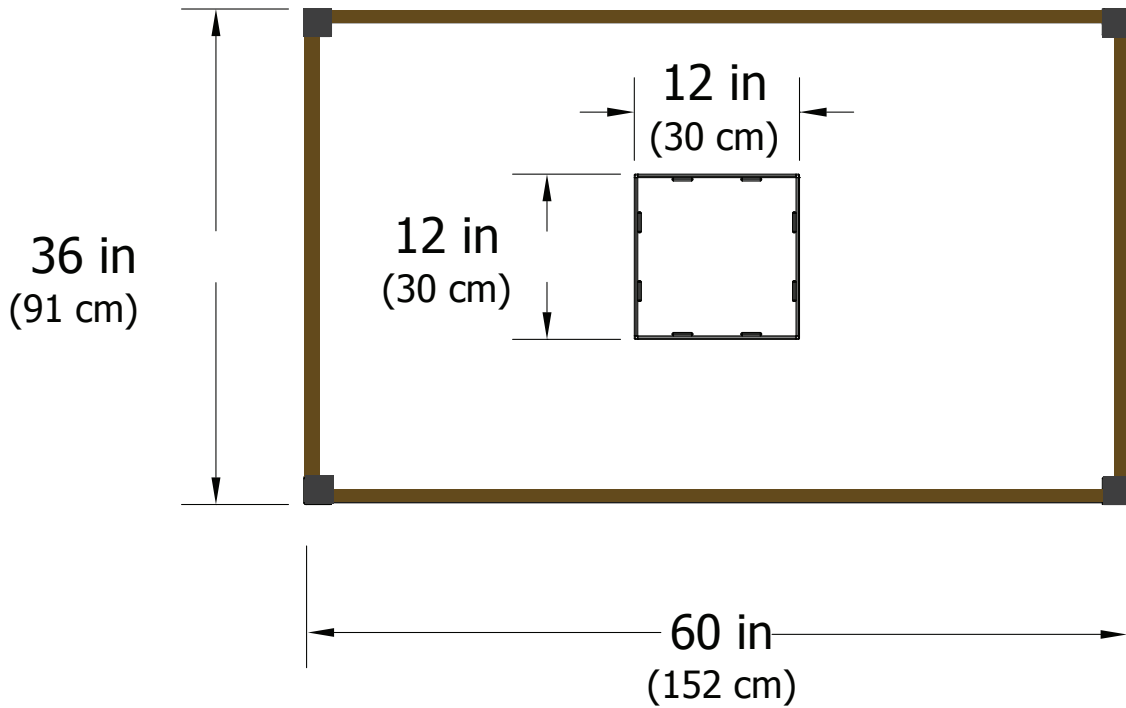
General Info

- **Read Instructions through carefully before beginning assembly**
- When assembling components, place on a non-abrasive surface (*i.e. shipping box*) to avoid scratching.

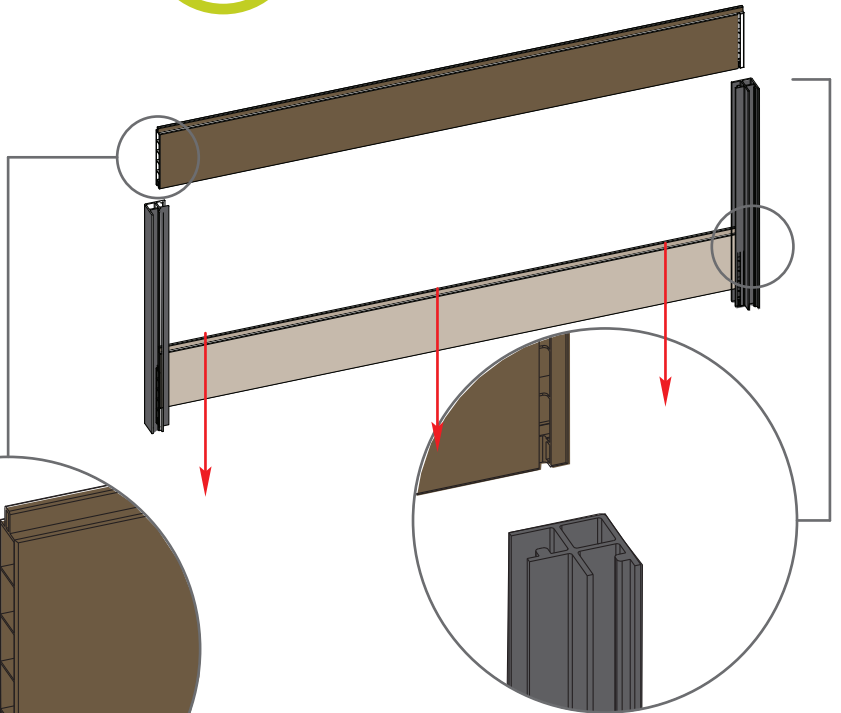
We recommend an area approx 48"x 96" (122 cm x 244 cm) for unobstructed assembling. You should not need to use excessive force when assembling components.

Dimensions

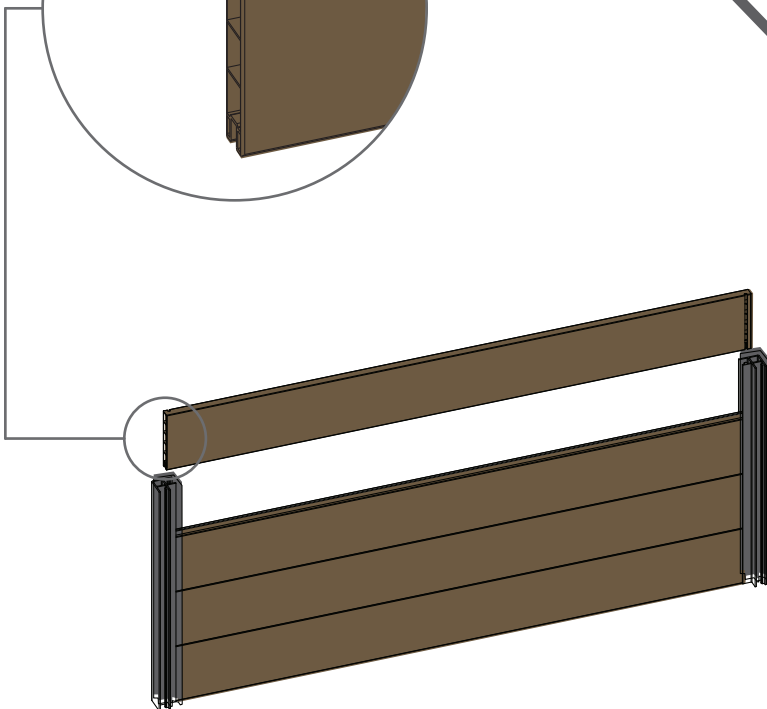
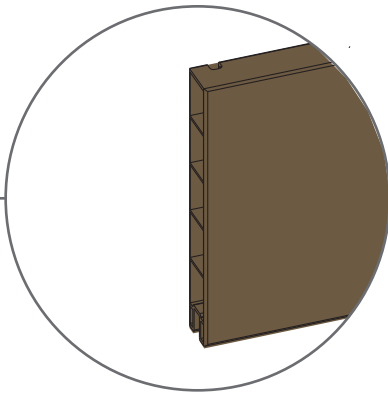
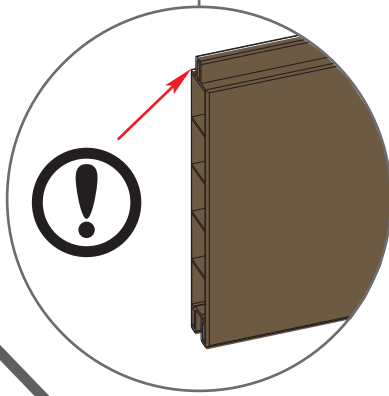
3' x 5' x 22" (91 cm x 152 cm x 61 cm) – Keyhole Garden



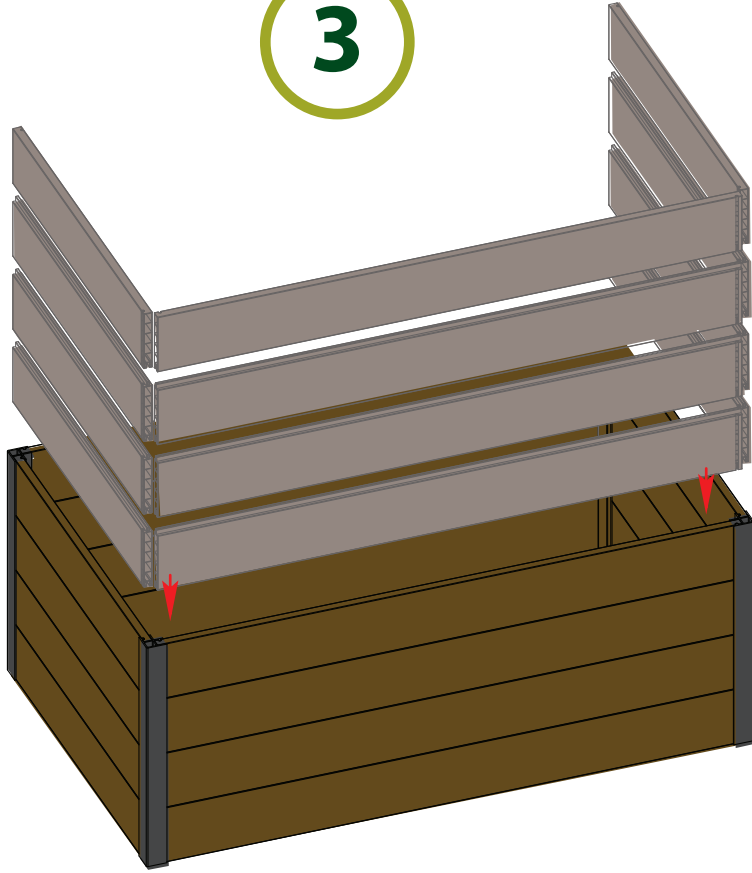
1



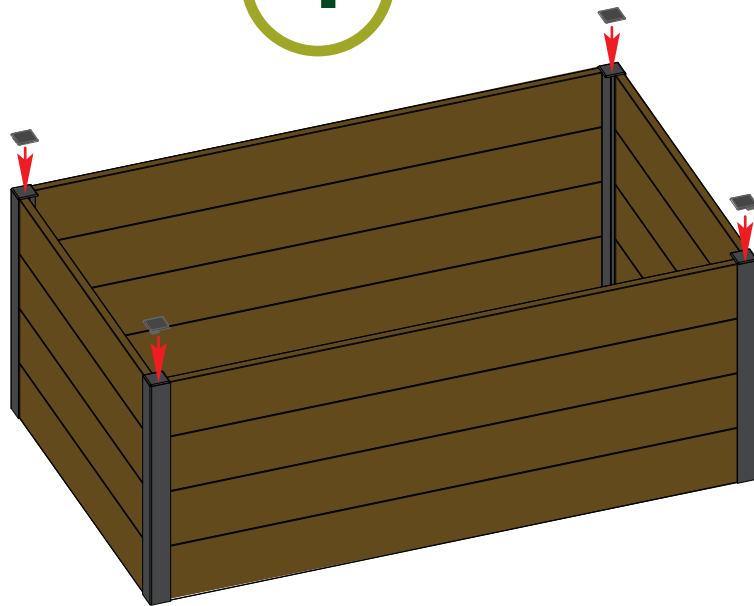
2



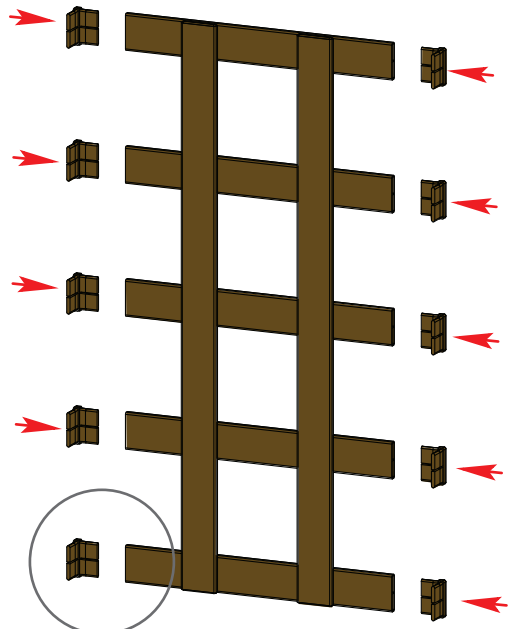
3



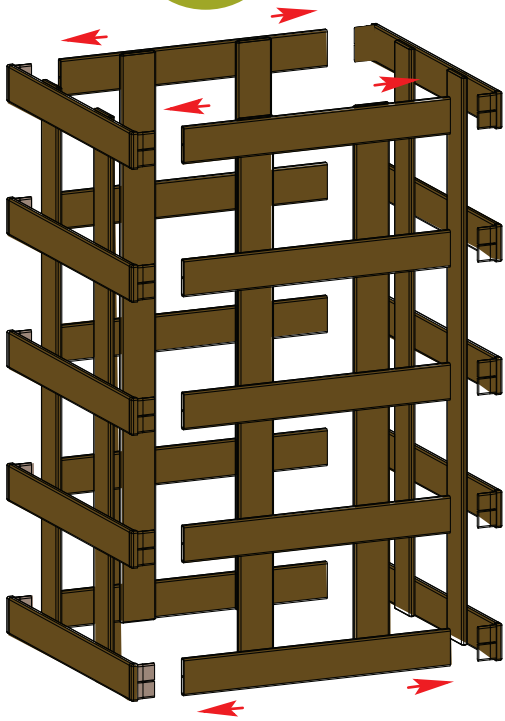
4



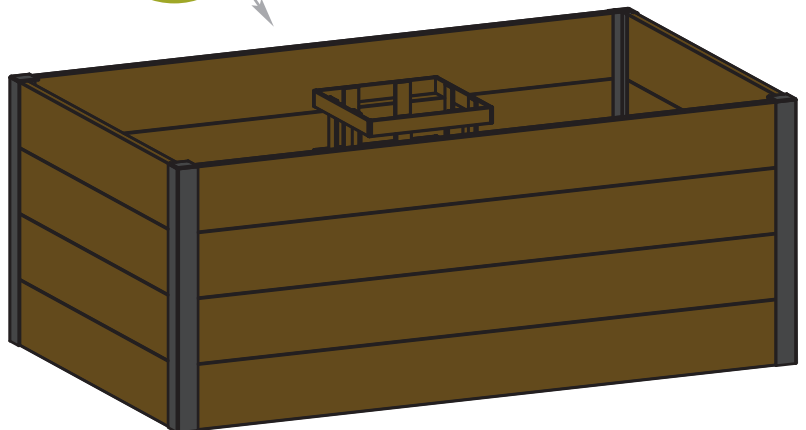
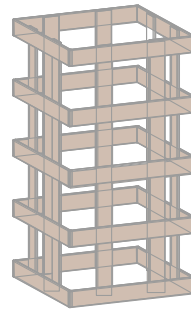
5



6



7



Warranty

We want you to know that your new Keyhole Garden has a 10 year warranty against:

1. Yellowing
2. Fading
3. Rotting

Maintenance is non-existent as a simple spray with a garden hose will clean the bed from dirt, so you can spend more time growing food than maintaining your garden beds.

If you have any questions about your warranty or about Vita products please call our customer service department at 1.800.282.9346 Mon. to Fri. 8:00 AM to 5:00 PM EST.

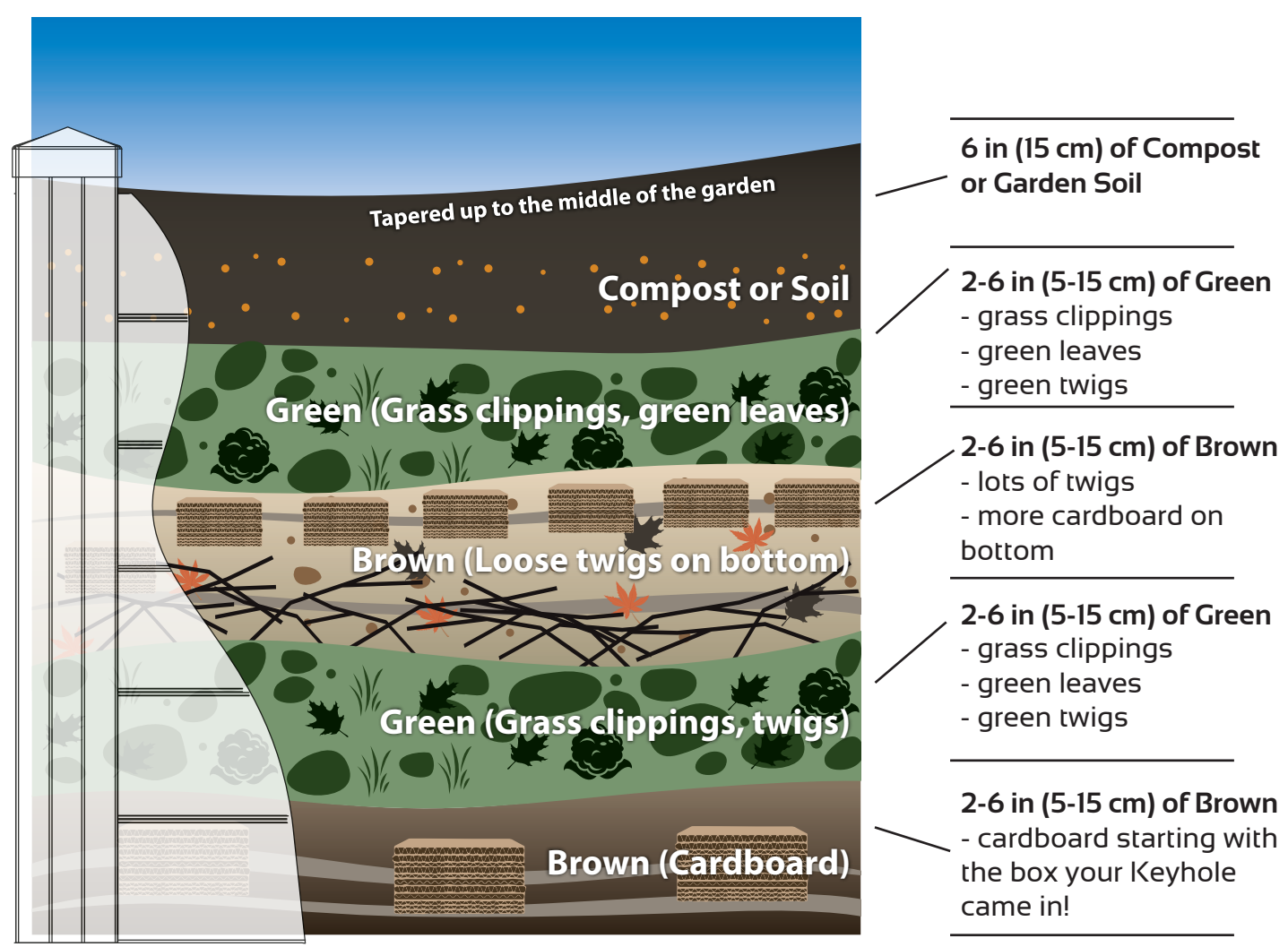
Happy Growing!

Startup Option 1

Fill with organic layers

The magic of the Keyhole Garden is its composting abilities. The Keyhole uses piles of common organic household waste and converts it into a rich growing environment for your vegetables to grow.

The diagram below shows the different layers you should plan to start your Keyhole Garden. This way you can convert all of your yard refuse into nutrient rich soil. This will save you from purchasing large amounts of soil to fill the garden. You can plant vegetables right away with this method, but can expect some settling as it composts.



Startup Option **2**

Fill with soil mixture

If you'd rather just fill the garden with soil (this garden will require about 27 cu ft of soil - or about 1 cubic yard), we recommend following this method:

1. Use the box your Keyhole Garden came in. Lay it on the very bottom of the garden, as it will help draw moisture and beneficial insects up from the ground. It will turn into compost. We have water based organic inks to print on this box.
2. Fill your garden with organic soil. We usually recommend a mixture of 1/3 Garden Soil to 1/3 Compost to 1/3 Peat Moss or Coconut Coir.

**Your vegetables enjoy
Peace and Harmony
with this recommended soil blend.**



Composting

The Composting Basket is key to adding nutrients to your garden bed. It's here you can continually use up your regular kitchen scraps to nourish your Keyhole Garden. For best composting success use the same Brown-Green alternating technique as this helps your compost work the best.

1

Put some stones or broken pottery at the bottom of the basket. This will help drainage and encourage nutrients to enter the garden bed.

2

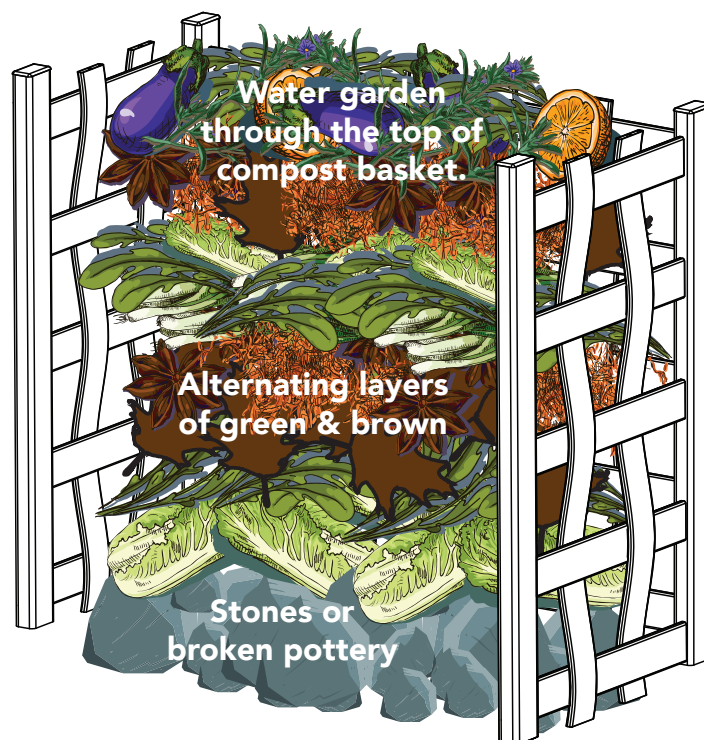
Using the same alternating technique (6 inch layers of Brown - Green) put in layers of compostable materials. For Brown use leaves, small sticks or cardboard. For Green use green leaves, vegetable clippings and grass.

3

As the basket begins to compost, it will shrink. Keep adding your kitchen scraps as time goes on. You can even use coffee grinds (and filters), newspaper and egg shells!

4

Once your garden is established, water primarily through the Compost Basket. This will encourage the nutrients to travel into the Keyhole Garden bed and the vegetables to grow deep to get the moisture. If the Compost Basket starts to smell rotten, it likely has too much water. Reduce the water for a few days.



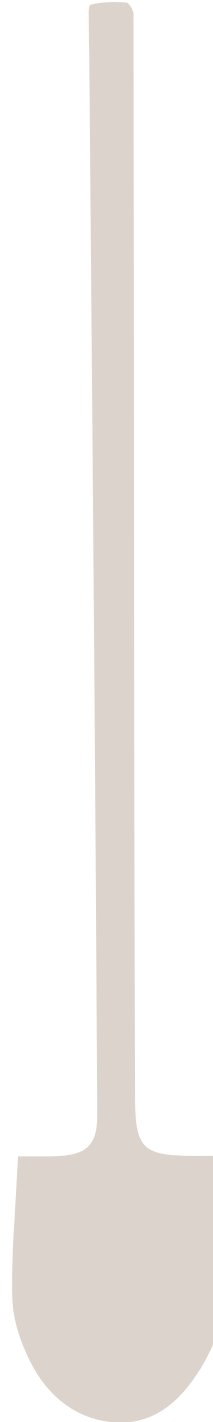
Things you can compost



- vegetable clippings
 - grass clippings
 - green leaves
- fruit peels and rinds (minimal citrus)
 - egg shells
- tea bags / tea leaves
 - plant trimmings
 - apple cores
 - green twigs
 - lettuce
- house plants
 - manure
 - seaweed



- cardboard
- shredded paper
- brown leaves
 - twigs
- coffee grinds and filters
 - wine corks
 - wood ashes
 - oatmeal
 - cereal grains
- spent grains from beer making
 - sawdust
- torn up cotton clothing or burlap



We're here For you.

If you have any questions at all,
don't hesitate to contact us.

NORTH AMERICA TOLL FREE

1-800-282-9346

Visit our website to chat with a support technician.

WWW.WEAREVITA.COM

