

HEARTLAND USA®

250 Conversion 2000-2006 Softail Models (Instruction)



HARDWARE LIST

Parts List:

Swing Arm with Steel
Rock Guard,
Axle and Axle Covers

Slotted Struts

Solo Seat

Raw Steel Fender

25mm Primary Offset

Swing Arm Accesories

Hardware



Swing Arm with Steel Rock Guard,
Axle and Axle Covers



Slotted Struts



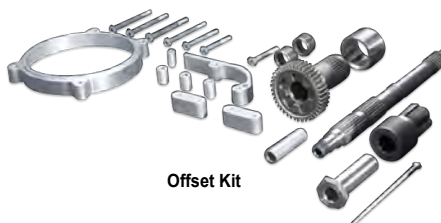
Raw Steel Fender



Horn CUT Template



Solo Seat



Offset Kit



Swing Arm Accesories



Hardware

2466 E. Fender Ave. Suite B Fullerton CA. 92831 Ph: 310-822-2697 Fax: 310-634-1271

www.heartlandbiker.com

We recommend reading through the entire install process before beginning.

1



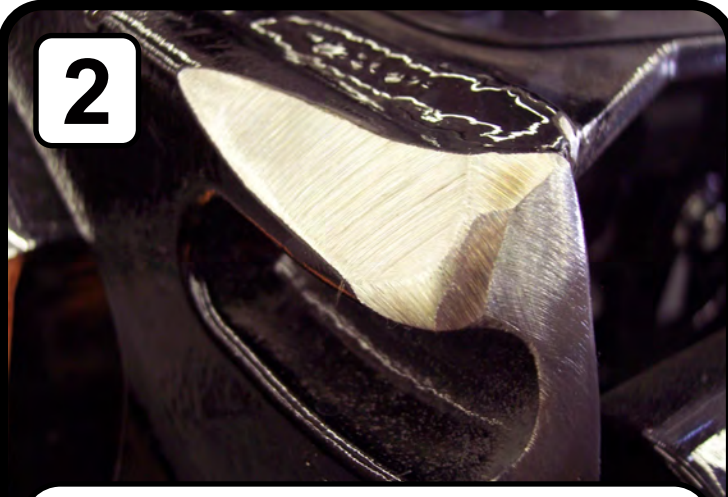
Cutting off Horns from the Frame

You will need to cut the steel horns off the frame to allow the Bobber Seat and fender to work.

1. Cut at both straight edges using the "Horn Cut Template" provided. With the template in place, begin cutting with a sawzall. .



2



2. Grind for seat clearance on both sides of the seat frame.

4



4. Always check clearance between the swing arm and frame. See Swing arm install. You can use stock hat sleeves to help hold the swing arm in place as you check clearance. Put Stock hat sleeves from out side in as it is temporary. It will hold the swing arm as you check clearance.

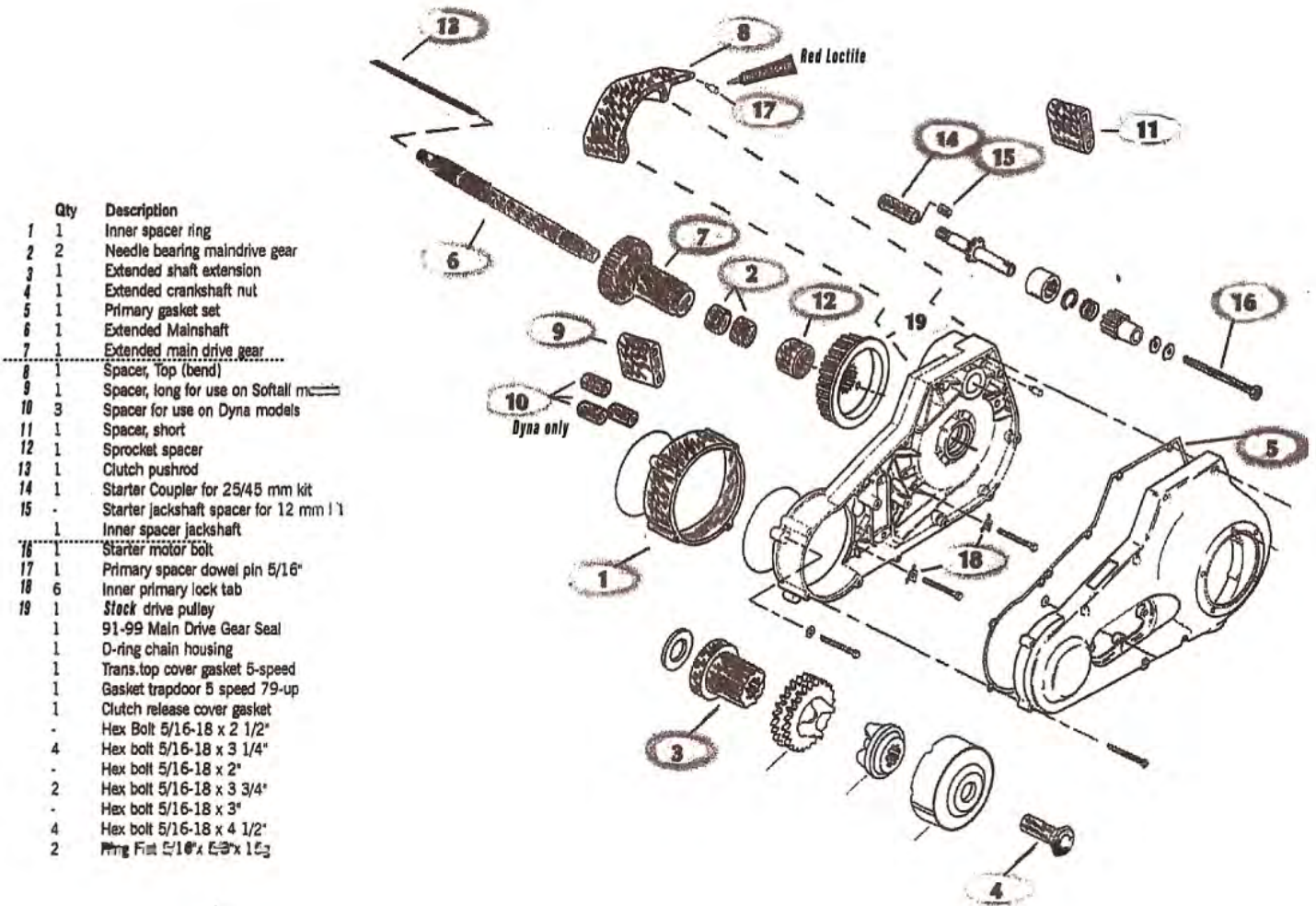
3



3. You will also need to grind clearance for the swing arm on both sides of the frame. The rubber stopper will give so make the clearance about 3/16" plus / see photo.

25mm Primary Offset Installation - 25mm / 1" Offset (5-Speed)

To be installed by a trained technician using the factory service manual and factory torque specs.



Swing Arm Install

NOTE: Swing arm sleeve for left side / two pieces. "Smooth" / "Hat".

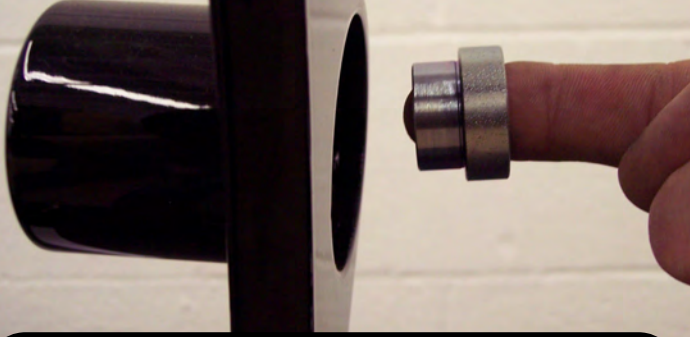
Right side uses Stock sleeve / one piece. "Hat"



1

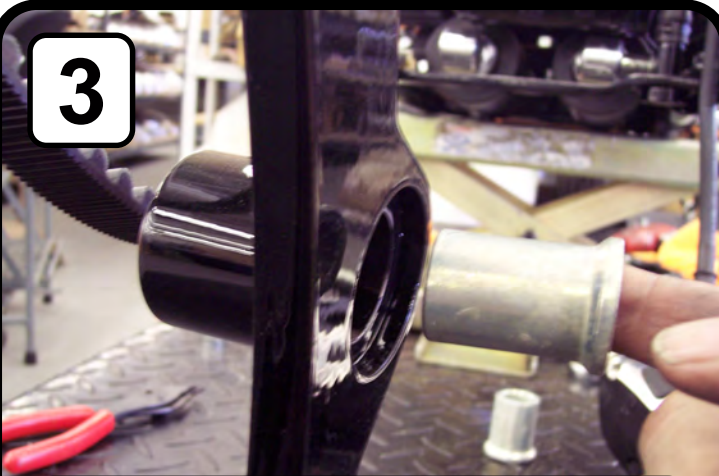
1. Install Pivot bearings in new 250 Swing arm from out side as per HD Specs.

2



2. Install small HAT sleeve into left side of swing arm bearing.

3



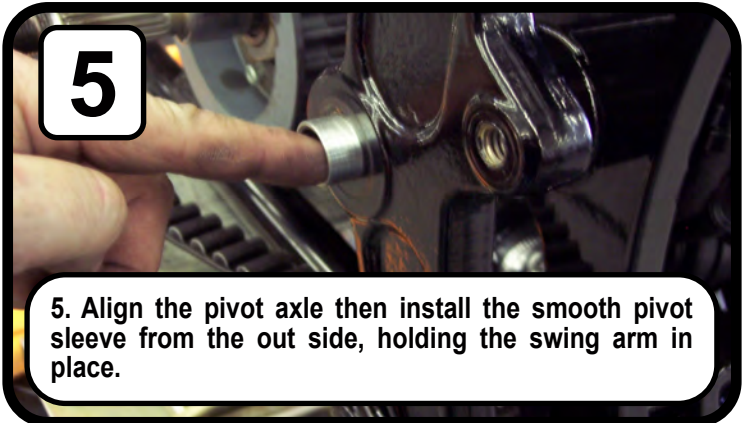
3. After the small hat sleeve is installed, place stock spacer sleeve in swing arm tunnel.

4

4. Install swing arm in frame with Hat sleeve and stock trans Spacer in the left side of swing arm.

Note: The small Hat sleeve does not extend into frame pivot bearing.

5



5. Align the pivot axle then install the smooth pivot sleeve from the out side, holding the swing arm in place.

6

6. Install right side stock hat sleeve on the right side from the inside.

It may be easier to install fender on the swing arm and then install on bike. It can be done either way.

7

7. Install pivot axle, from the right side and torque to factory specs.

8



8. Install the top & bottom Rockguard Brackets to the swingarm tube with supplied Hex bolts.

9

9. Simply bolt the rockguard to the brackets with the supplied button head bolts.

Swingarm Bearing and Spacer Installation Guide

Technical Questions Please Call 310-822-2697

