

LOSTINE

Ava Wall Sconce - Hardwired



## DESCRIPTION

The Hardwired Ava Sconce has a brass arm that moves from left to right and a leather and brass shade that can pivot in several directions. This feature allows the user to angle the light where it is most needed. It is as functional as it is handsome. The hardwired version is for those who prefer to have the fixture turn off and on with a wall switch although there is also an on/off turn key switch on the socket itself as well. The walnut backplate is mounted to the wall with a hidden metal backplate and the wooden piece is secured over the plate with centered brass screws. The wooden piece covers a standard size junction box, therefore the sconce is a little bit wider overall than the plug in version of the Ava Sconce. Made in the USA by Robert Ogden for Lostine.

## LEATHER & BRASS CARE

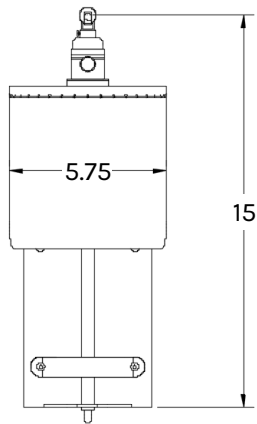
Our American-made harness leather is a classic leather that will age beautifully over time. We celebrate the living finish of our leather and its inherent imperfections. Since each side of leather is different, the shade and texture of the leather will vary with each item. The patina created by daily wear-and-tear is meant to change and evolve over time. Please care for your leather products with a soft cloth and a leather cleaner.



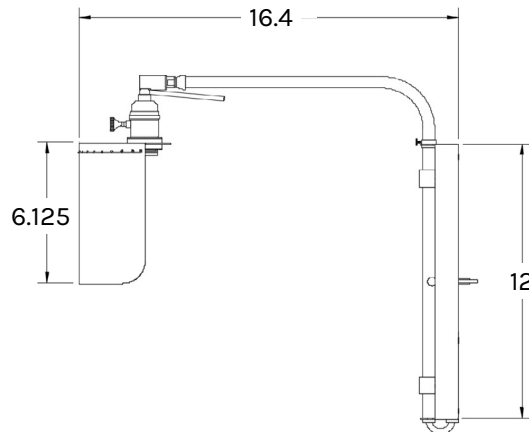
# LOSTINE

## Ava Wall Sconce - Hardwired

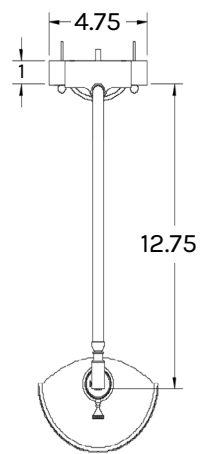
FRONT



SIDE



TOP



### DIMENSIONS:

- Leather shade: 6" L x 6" H
- Walnut back plate: 4 3/4" W x 12" H x 1" thick
- Brass arm: 17" L
- Top of brass arm to bottom of wood: 14.5"
- Brass arm with shade (adjusted parallel) 23"

### MATERIALS:

Walnut back plate, leather shade and tabs, brass arm.

### LEAD TIME:

4-6 weeks / stock may be available

### BULB:

For use with LED BULB ONLY. LED bulbs not only use less energy but also give off less heat. Leather will dry out when exposed to excessive heat. We suggest using an A 19,600 lumen (40 watt equivalent) LED bulb with each light. Light bulb not included. This fixture is UL approved. UL sticker included.

BACK

