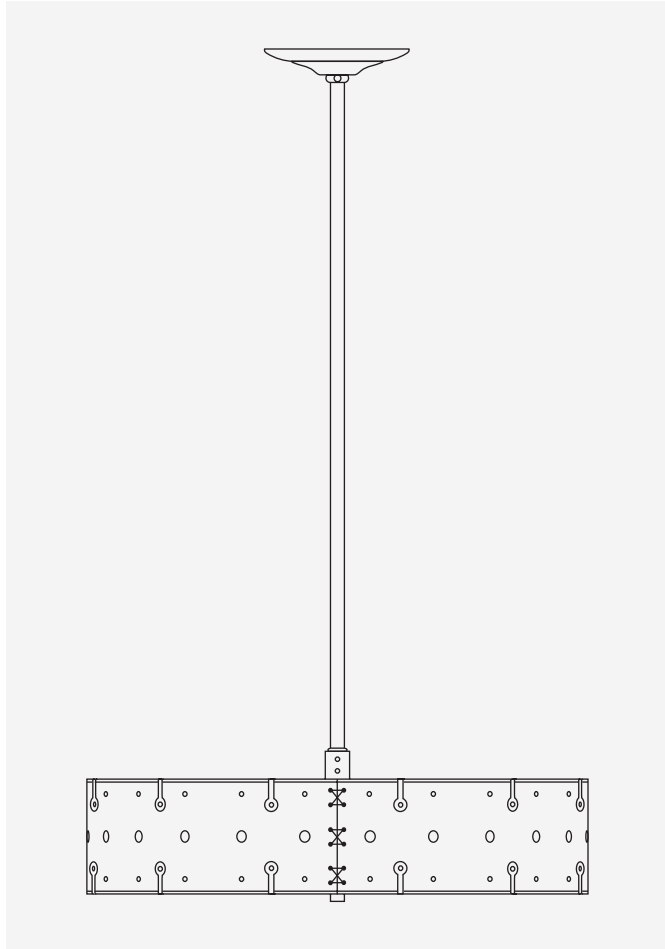


# SARAH CEILING FIXTURE



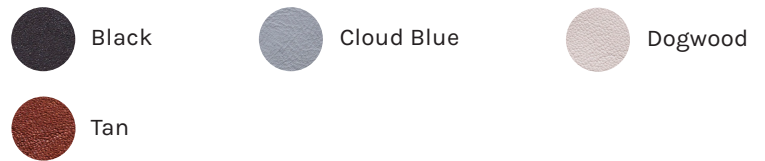


**DESCRIPTION**

Composed of a hand-sewn leather drum fitted between a brushed satin brass top and bottom ring, the Sarah can be customized with the drop height that is right for your space and the tube can be removed altogether to create a surface-mount fixture. A thin white diffuser conceals sockets and bulbs, while a pattern of eyelets on the top and sides allow small amounts of light to peek through.

**SPECIFICATIONS**

**Leather Shade**



**Canopy**



**Metal**



<b>Materials</b>	Leather shade, plastic diffuser, brass socket, drop + detailing.
<b>Mount</b>	Flat ceiling mount. Sloped ceiling option available upon request.
<b>Lamping</b>	14" 2 x E12 Candelabra. 75W/120V 18" 3 x E12 Candelabra. 75W/120V 24" 4 x E12 Candelabra. 75W/120V
<b>Bulb</b>	4-Watt Lightbulb
<b>Certification</b>	Can be UL certified. Please inquire.
<b>Product Weight (lbs)</b>	7.55 (14"), 10.80 (18"), 17.0 (24")

**NOTES**

1. The shade and texture of the leather will vary with each item.
2. Dimming compatible.
3. Dry location rated.
4. Made to order. Please allow 12 - 14 weeks for delivery.
5. Finish samples are available upon request.

**CARE**

Since each side of leather is different, the shade and texture of the leather will vary with each item.

The patina created by daily wear-and-tear is meant to change and evolve over time. Please care for your leather products with a soft cloth and a leather cleaner.

Please care for the brass pieces with a soft cloth, and avoid using any abrasive cleaners or products.

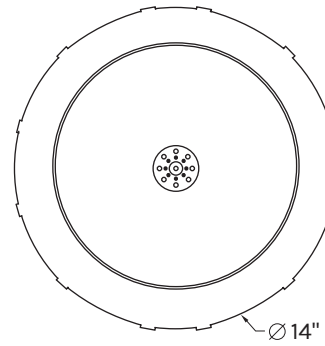
DIMENSIONS

BOTTOM: 14"

Drop: Custom

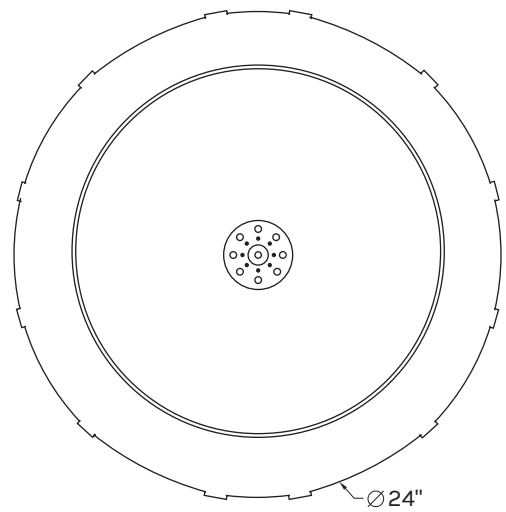
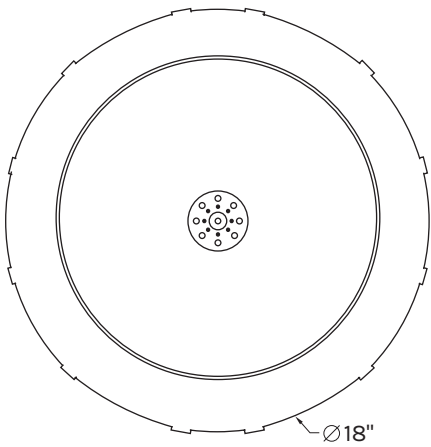
Canopy: 5" DIA

Shade: 4.25" H / 14" DIA (2 sockets)  
4.25" H / 18" DIA (3 sockets)  
4.25" H / 24" DIA (4 sockets)



BOTTOM: 18"

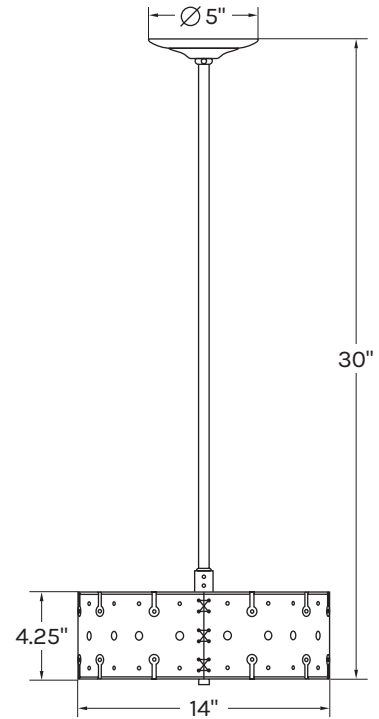
BOTTOM: 24"



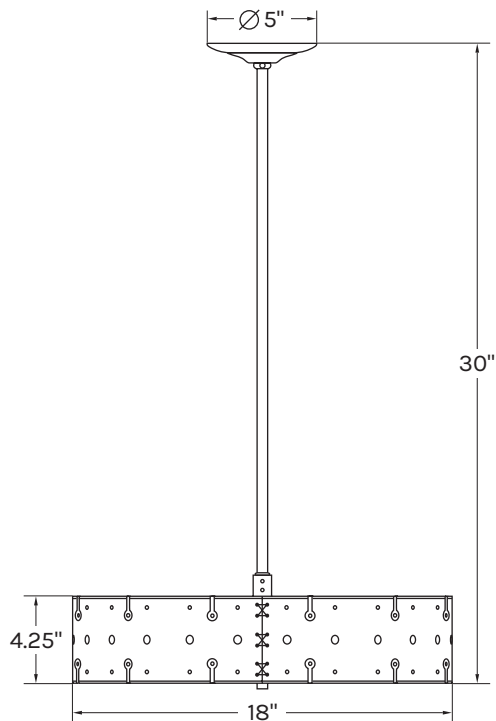
DIMENSIONS

Drop: Custom  
Canopy: 5" DIA  
Shade: 4.25" H / 14" DIA (2 sockets)  
4.25" H / 18" DIA (3 sockets)  
4.25" H / 24" DIA (4 sockets)

ISOMETRIC: 14"



ISOMETRIC: 18"



ISOMETRIC: 24"

