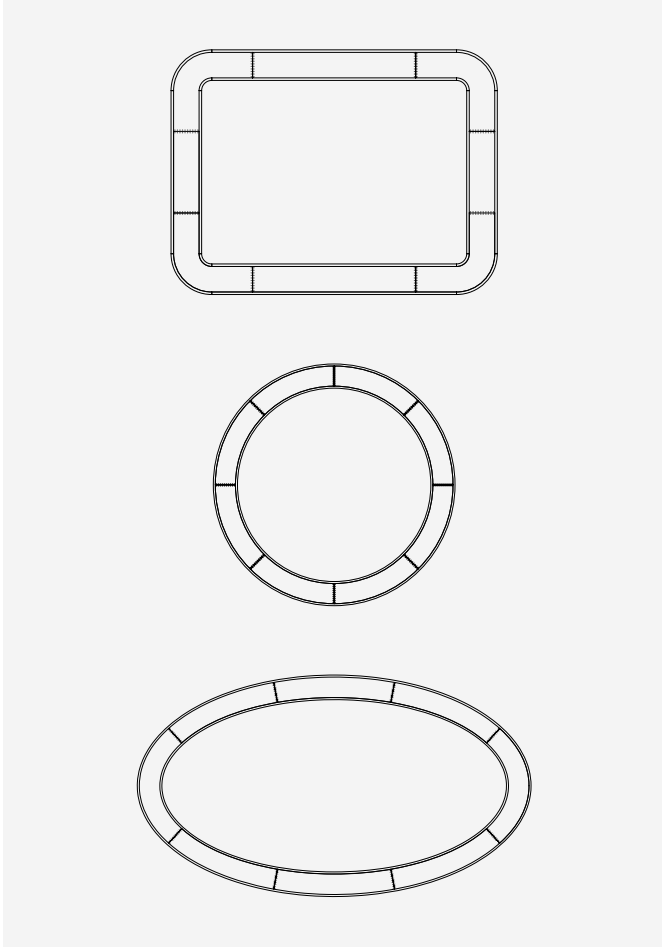


NORSE MIRROR GROUP





DESCRIPTION

The Norse Mirror collection embodies an effortless balance of simplicity and craftsmanship. Simple clean lines and uncluttered design allows the craftsmanship and attention to detail to take center stage. Crafted from sturdy, solid maple and inlaid with hand-sewn leather accents, each mirror is a beautiful statement piece but will also blend easily into any setting. Available in two leather options, Au Lait and Cinder.

SPECIFICATIONS

Leather



Au Lait



Cinder

Wood



Clear Maple

Materials

Leather, Clear Maple, Fabric

Product Weight (lbs)

21.3 (Circle), 24.8 (Oval), 22 (Rectangle)

CARE

Since each side of leather is different, the shade and texture of the leather will vary with each item. The patina created by daily wear-and-tear is meant to change and evolve over time.

Please care for your leather products with a soft cloth and leather cleaner. Avoid spraying glass cleaner on to the leather frame.

We recommend using a microfiber dust cloth to care for wood products. Kindly avoid additional cleaners and products.

NOTES

1. Made to order. Please allow 4 - 6 weeks for delivery.
2. Oval + Rectangle can be mounted both horizontally and vertically.
3. Hanging hardware included.
4. Finish samples are available upon request.

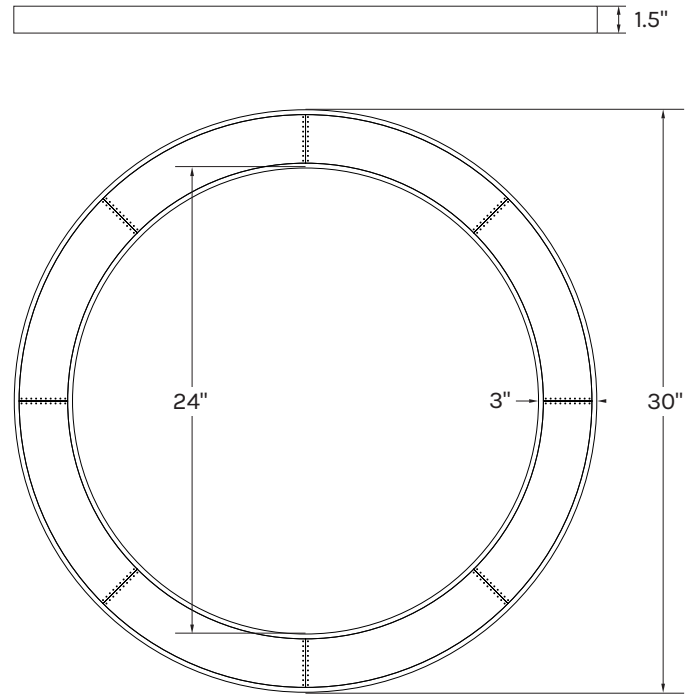
DIMENSIONS

Circle: 30" DIA x 1.5" D
3" W (Frame)

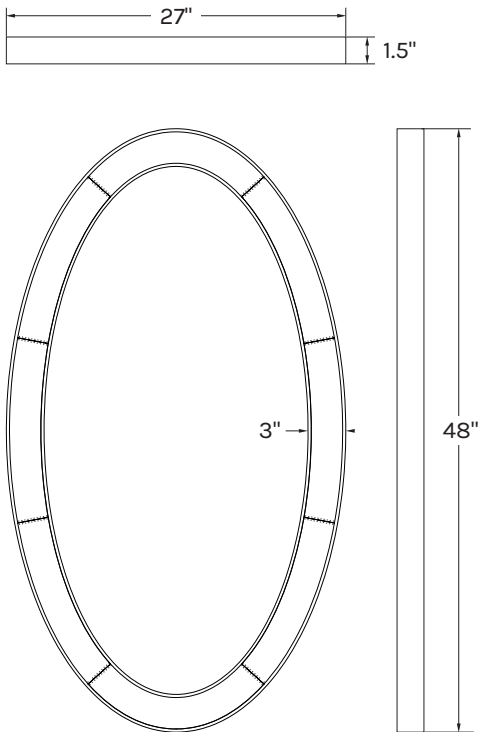
Oval: 48" x 27" x 1.5" D
3" W (Frame)

Rectangle: 32" x 24" x 1.5" D
3" W (Frame)

CIRCLE



OVAL



RECTANGLE

