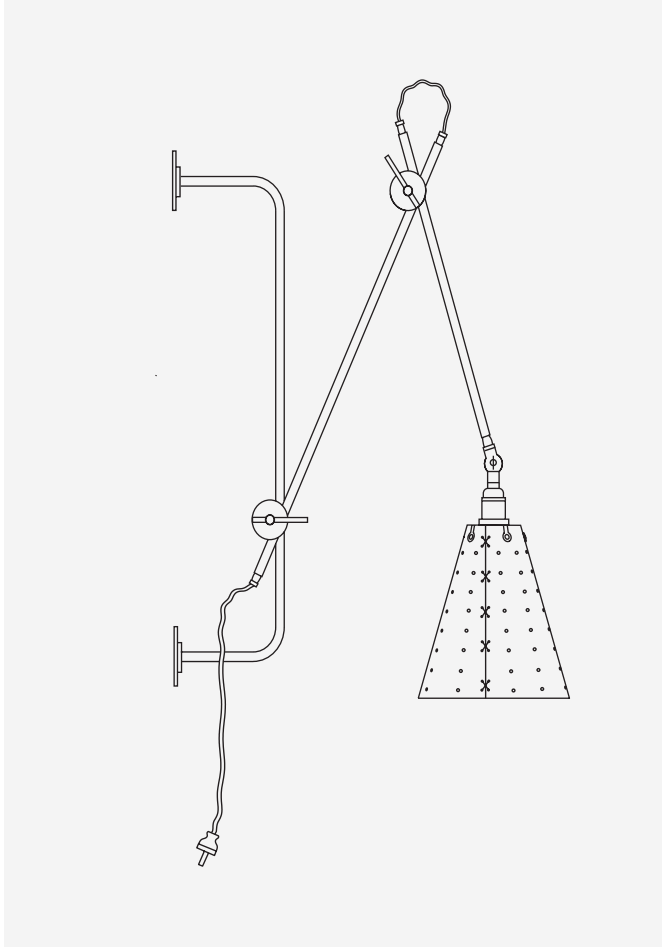


GRACE ARTICULATING WALL SCONCE - PLUG






DESCRIPTION




This plug-in sconce connects two lengths of steel piping with a black walnut joint that can easily be loosened for articulation and locked into place with a brass bar. A second joint connects the fixture to a wall-mounted steel bar allowing it to slide up and down.

SPECIFICATIONS

Leather Shade

-  Black
-  Tan


Metal

-  Antique Brass
-  Powder Coated Steel
-  Tumbled Brass

Wood

-  Black Walnut

Cord

-  Beige Rayon Cord

Materials	Steel arms, brass details + socket, leather shade, twisted rayon cord, black walnut.
Lamping	1 x E26. 250V/250W
Bulb	To ensure lifelong performance we recommend the use of LED bulbs under 40 watts.
Certification	Cannot be UL Certified.
Product Weight (lbs)	4.90

NOTES

1. Since each side of leather is different, the shade and texture of the leather will vary with each item. The patina created by daily wear-and-tear is meant to change and evolve over time.
2. Dry location rated.
3. Made to order. Please allow 12 - 14 weeks for delivery.
4. Finish samples are available upon request.

CARE

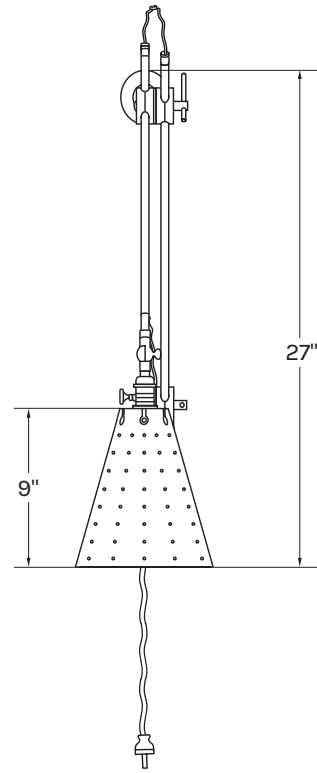
Please care for your leather products with a soft cloth and a leather cleaner.

Please care for the steel pieces with a soft cloth, and avoid using any abrasive cleaners or products.

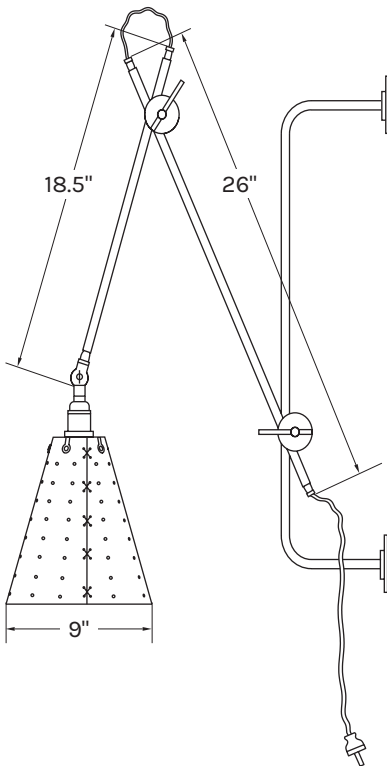
DIMENSIONS

- Bar Piece: 27" H x 6" D (Attaches to the wall)
- Lamp Arm: 26" L
- Socket Arm: 18.5" - 22" (Extended straight from ball pivot)
- Socket + Shade: 12" L x 10" DIA
- Shade: 9" H x 3" DIA (Top), 9" DIA (Bottom)
- Cord: 9.5' L

ISOMETRIC



LEFT SIDE VIEW



RIGHT SIDE VIEW

