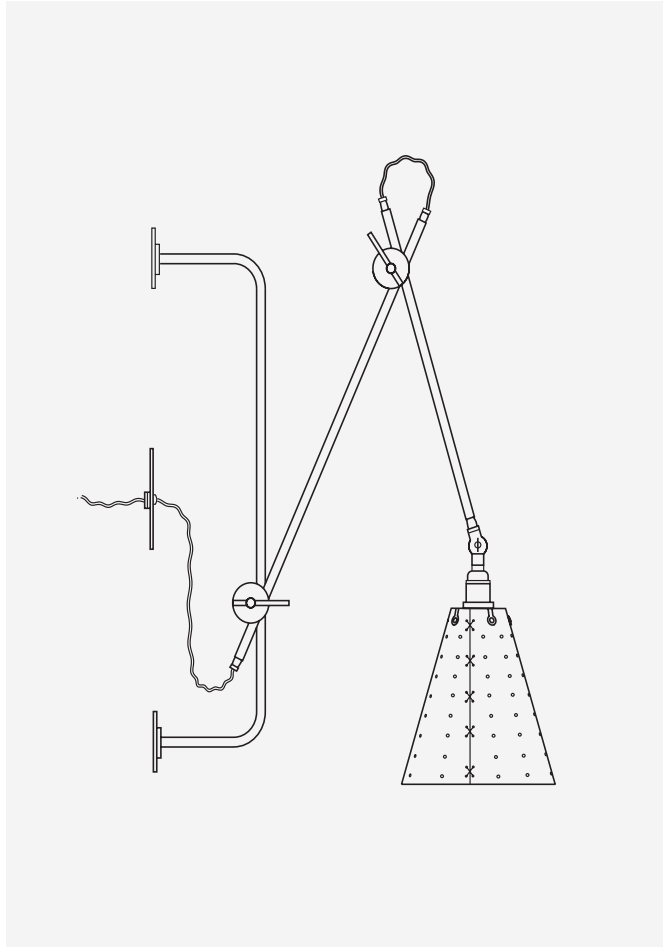


# GRACE ARTICULATING WALL SCONCE - HARDWIRED



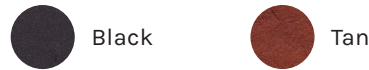


**DESCRIPTION**

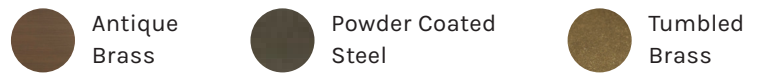
This hardwired wall sconce connects two lengths of steel piping with a black walnut joint that can easily be loosened for articulation and locked into place with a brass bar. A second joint connects the fixture to a wall-mounted steel bar allowing it to slide up and down.

**SPECIFICATIONS**

**Leather Shade**



**Metal**



**Wood**



**Cord**



Materials	Steel arms, brass details + socket, leather shade, twisted rayon cord, black walnut.
Lamping	1 x E26. 250V/250W
Bulb	To ensure lifelong performance we recommend the use of LED bulbs under 40 watts.
Certification	Cannot be UL Certified.
Product Weight (lbs)	4.90

**NOTES**

1. Since each side of leather is different, the shade and texture of the leather will vary with each item. The patina created by daily wear-and-tear is meant to change and evolve over time.
2. Dimming compatible.
3. Dry location rated.
4. Made to order. Please allow 12 - 14 weeks for delivery.
5. Finish samples are available upon request.

**CARE**

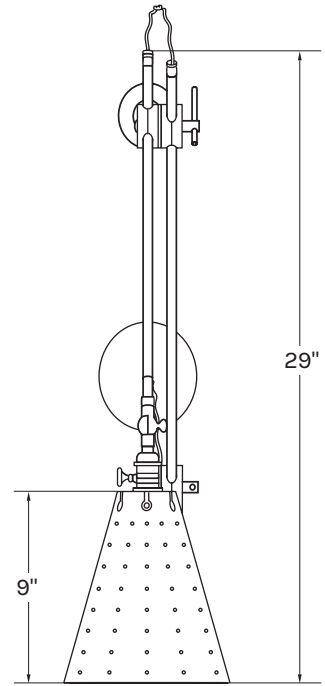
Please care for your leather products with a soft cloth and a leather cleaner.

Please care for the steel pieces with a soft cloth, and avoid using any abrasive cleaners or products.

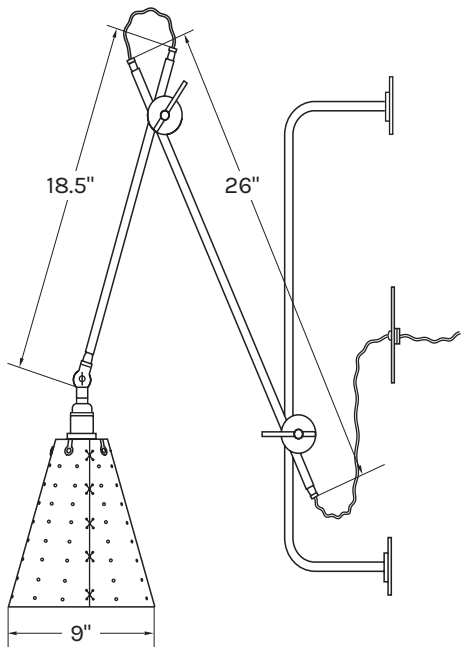
DIMENSIONS

- Bar Piece: 27" H x 6" D (Attaches to the wall)
- Lamp Arm: 26" L
- Socket Arm: 18.5" - 22" (Extended straight from ball pivot)
- Socket + Shade: 12" L x 10" DIA
- Shade: 9" H x 3" DIA (Top), 9" DIA (Bottom)
- Backplate: 5" DIA

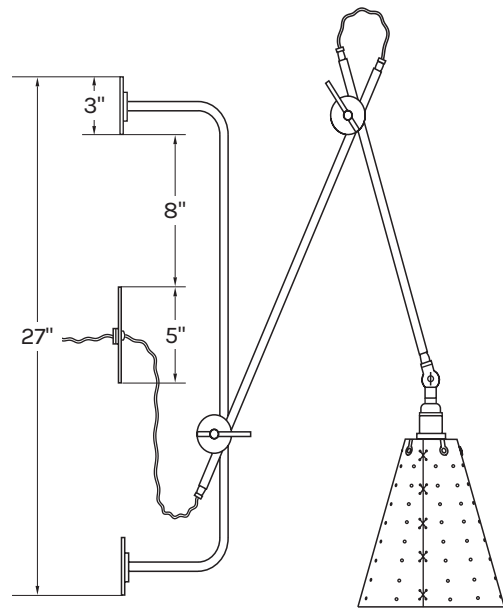
ISOMETRIC



LEFT SIDE VIEW



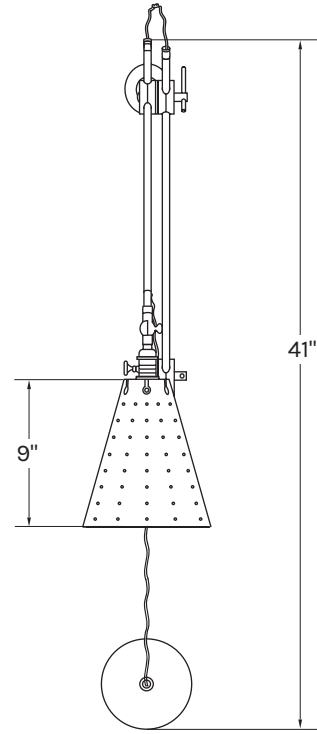
RIGHT SIDE VIEW



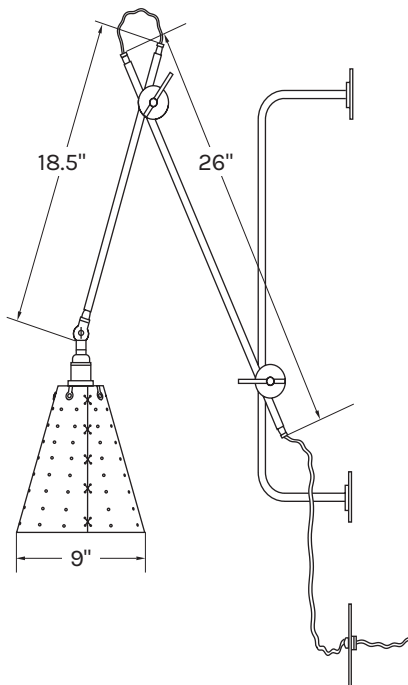
DIMENSIONS

- Bar Piece: 27" H x 6" D (Attaches to the wall)
- Lamp Arm: 26" L
- Socket Arm: 18.5" - 22" (Extended straight from ball pivot)
- Socket + Shade: 12" L x 10" DIA
- Shade: 9" H x 3" DIA (Top), 9" DIA (Bottom)
- Backplate: 5" DIA

ISOMETRIC



LEFT SIDE VIEW



RIGHT SIDE VIEW

