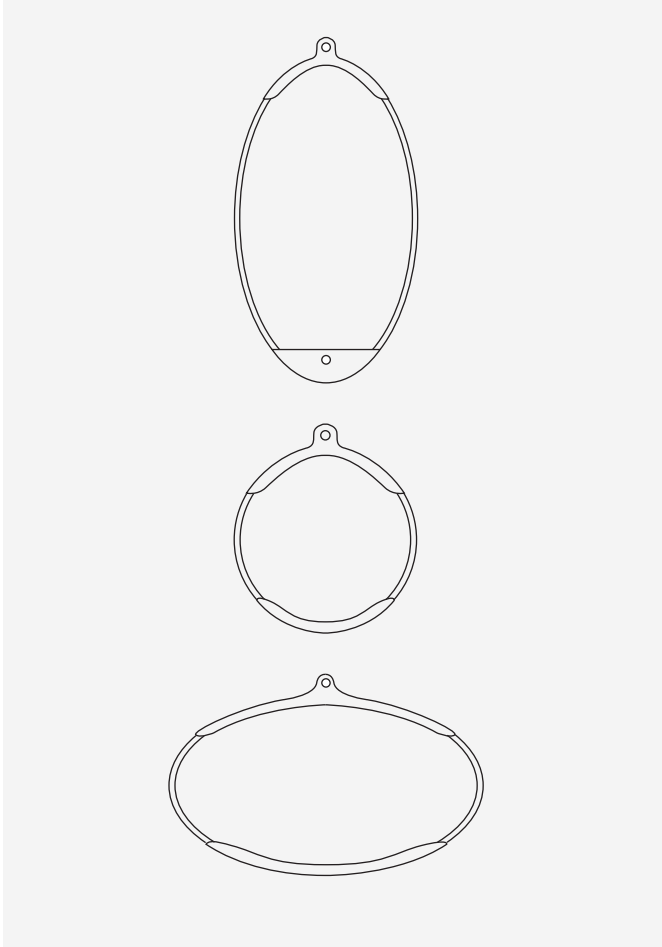


FAIRMOUNT MIRROR GROUP





DESCRIPTION

The Fairmount Mirror sits inside a durable, hand-stitched leather frame. Each piece of leather has a living finish with its own character and variations, lending to the appeal of the material. A decorative hand-hammered iron peg and metal drywall anchor are included. Choose between three styles to best fit your design: long oval, wide oval and round.

SPECIFICATIONS

Leather



Black



Tan

Materials

Leather, iron hand hammered screw, plain mirror

Product Weight (lbs)

9.10 (Round Oval), 9.65 (Wide Oval), 2.80 (Round Mirror)

CARE

Since each side of leather is different, the shade and texture of the leather will vary with each item. The patina created by daily wear-and-tear is meant to change and evolve over time.

Please care for your leather products with a soft cloth and a leather cleaner.

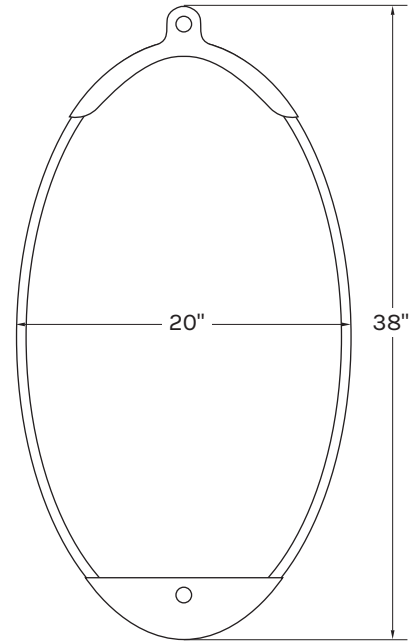
NOTES

1. Made to order. Please allow 1 - 2 weeks for delivery.
2. Finish samples are available upon request.

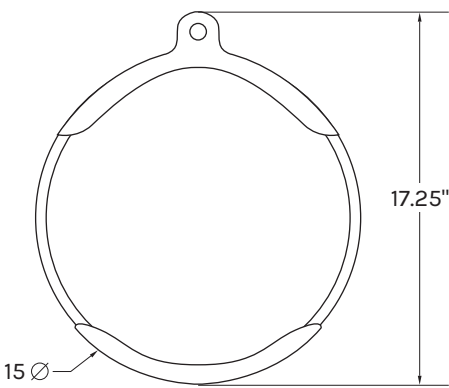
DIMENSIONS

Long Oval: 20" W x 38" H
 Round: 15" DIA x 17.25" H
 Wide Oval: 35.5" W x 22.25" H

LONG OVAL



ROUND



WIDE OVAL

