

ELSA SYSTEM - THREE  
PENDANT STRAIGHT



**ELSA SYSTEM - THREE PENDANT STRAIGHT**

**DESCRIPTION**

The Elsa System includes either a satin brass or oil rubbed brass canopy and arms. The options presented are 3-4-5 clusters or 2-3 inline armatures enabling you to create a variety of arrangements using Lostine pendant lighting. The beauty of The Elsa system lies also in its practicality. Multiple fixtures are able to join to a single electrical source eliminating the need for multiple junction boxes in the ceiling.

**DETAILS**

Lamping: 3 x E26 Lamp Base. 120VAC

Bulb: To ensure lifelong performance we recommend the use of LED bulbs under 40 Watts.

Bulb Recommendation: Tala Globe 6 Watt bulbs can be purchased separately for strong, smooth and warm light with full dimming compatibility.

This fixture can be UL certified. Please inquire.

**MATERIALS**

Wood, brass framework, brass ceiling canopy

**PRODUCT CARE**

We recommend using a microfiber dust cloth to care for wood pieces. Kindly avoid additional cleaners.

Please care for the brass pieces with a soft cloth, and avoid using any abrasive cleaners or products. Natural patina process is quickened by touch and exposure. Gloves are recommended for installation.

Gloves are recommended for installation.

**PUCK FINISH**



Black Walnut



Clear Maple



Natural Maple

**CANOPY + ARMS**



Satin Brass



Oil Rubbed Brass

**SHADE OPTIONS**

11" Edmund Pendant

8" RTO Pendant

10" RTO Pendant

12" RTO Pendant

Celeste Pendants

Convex RTO Pendant

Dot Pendant

Lawrence Pendants

Sarah Cone Pendant

Sarah Cylinder Pendants

Stella Pendant

**MOUNT OPTION**

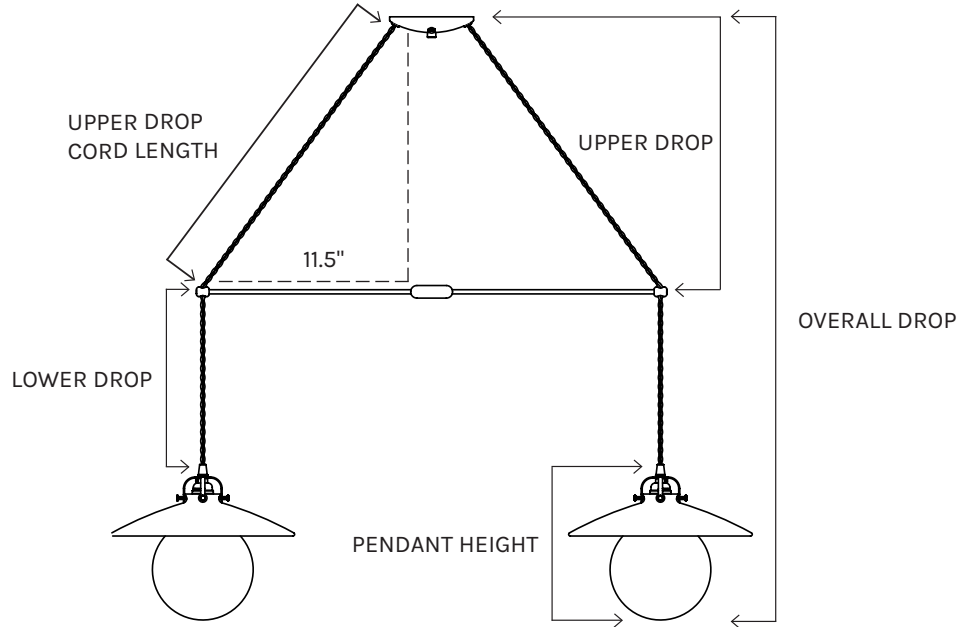
Flat Ceiling

**NOTES**

1. Finish samples available upon request.
2. Made to order please inquire for lead time.
3. The Elsa System ships preassembled with a 36" drop. An installation kit and instructions are included allowing you to adjust the drop to the height of your choice.

**ELSA SYSTEM REFERENCE GUIDE**

(Shown with Edmund Two Pendant Straight)



**STANDARD DROP HEIGHTS**

36" OVERALL DROP HEIGHT / 10.5" LOWER DROP HEIGHT

The Elsa System comes pre-assembled for a 36" overall drop with a 10.5" lower drop. Each pendant installed on The Elsa System comes with additional cord to allow adjustments to the overall drop as needed.

**UPPER DROP CORD LENGTH CALCULATION**

$$\text{UPPER DROP}^2 + 11.5^2 = \text{UPPER DROP CORD LENGTH}^2$$

**OVERALL DROP CALCULATION**

$$\text{HEIGHT OF PENDANT} + \text{LOWER DROP} + \text{UPPER DROP} = \text{OVERALL DROP HEIGHT}$$

**OVERALL DROP EXAMPLE**

$$\text{HEIGHT OF PENDANT} + \text{LOWER DROP} + \text{UPPER DROP}$$

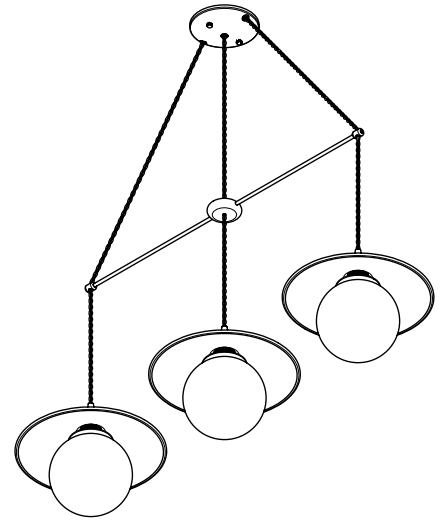
$$9.25" + 10.5" + 16.25" = 36"$$

ELSA SYSTEM - THREE PENDANT STRAIGHT

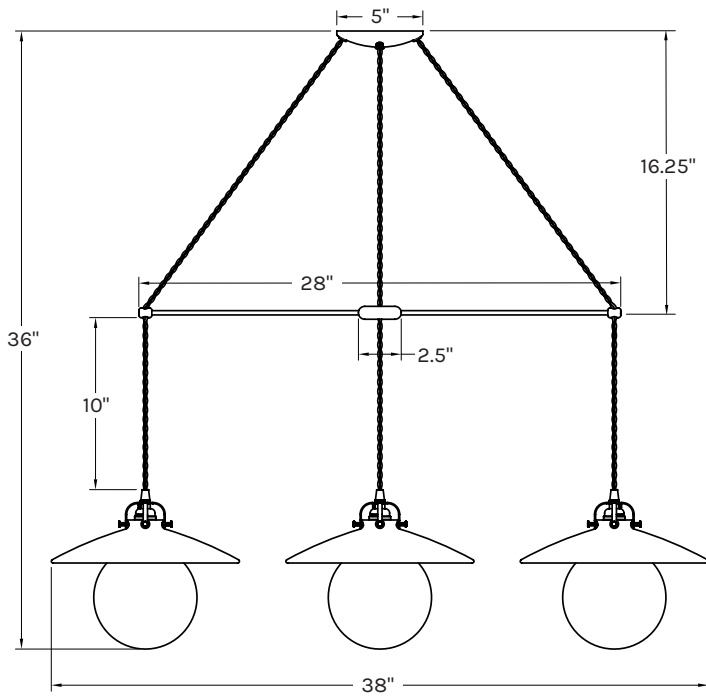
DIMENSIONS

Overall Drop:	36" H
Upper Drop:	16.25" H
Lower Drop:	10" H
Center Bar:	28" W
Overall Width:	38" W
Puck:	2.5" DIA
Globe:	6" DIA
Pendant:	11" W x 9.25" H
Canopy:	5" DIA

UNDERSIDE



FRONT



SIDE

