

# ELSA SYSTEM - FOUR PENDANT ROUND



## ELSA SYSTEM - FOUR PENDANT ROUND

---

### DESCRIPTION

The Elsa System includes either a satin brass or oil rubbed brass canopy and arms. The options presented are 3-4-5 clusters or 2-3 inline armatures enabling you to create a variety of arrangements using Lostine pendant lighting. The beauty of The Elsa system lies also in its practicality. Multiple fixtures are able to join to a single electrical source eliminating the need for multiple junction boxes in the ceiling.

---

### DETAILS

Lamping: 4 x E26 Lamp Base. 120VAC

Bulb: To ensure lifelong performance we recommend the use of LED bulbs under 40 Watts.

Bulb Recommendation: Tala Globe 6 Watt bulbs can be purchased separately for strong, smooth and warm light with full dimming compatibility.

This fixture can be UL certified. Please inquire.

---

### MATERIALS

Wood, brass framework, brass ceiling canopy

---

### PRODUCT CARE

We recommend using a microfiber dust cloth to care for wood pieces. Kindly avoid additional cleaners.

Please care for the brass pieces with a soft cloth, and avoid using any abrasive cleaners or products. Natural patina process is quickened by touch and exposure. Gloves are recommended for installation.

Gloves are recommended for installation.

---

### PUCK FINISH



Black Walnut



Clear Maple



Natural Maple

---

### CANOPY + ARMS



Satin Brass



Oil Rubbed Brass

---

### SHADE OPTIONS

11" Edmund Pendant

8" RTO Pendant

10" RTO Pendant

12" RTO Pendant

Celeste Pendants

Convex RTO Pendant

Dot Pendant

Lawrence Pendants

Sarah Cone Pendant

Sarah Cylinder Pendants

Stella Pendant

---

### MOUNT OPTION

Flat Ceiling

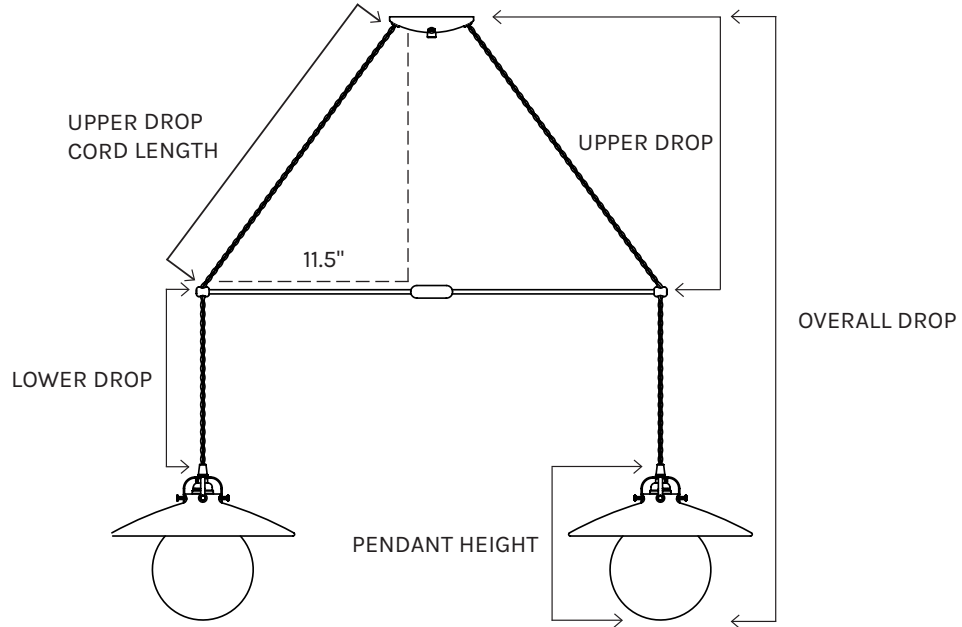
---

### NOTES

1. Finish samples available upon request.
2. Made to order please inquire for lead time.
3. The Elsa System ships preassembled with a 36" drop. An installation kit and instructions are included allowing you to adjust the drop to the height of your choice.

## ELSA SYSTEM REFERENCE GUIDE

(Shown with Edmund Two Pendant Straight)



### STANDARD DROP HEIGHTS

36" OVERALL DROP HEIGHT / 10.5" LOWER DROP HEIGHT

The Elsa System comes pre-assembled for a 36" overall drop with a 10.5" lower drop. Each pendant installed on The Elsa System comes with additional cord to allow adjustments to the overall drop as needed.

### UPPER DROP CORD LENGTH CALCULATION

$$\text{UPPER DROP}^2 + 11.5^2 = \text{UPPER DROP CORD LENGTH}^2$$

### OVERALL DROP CALCULATION

$$\text{HEIGHT OF PENDANT} + \text{LOWER DROP} + \text{UPPER DROP} = \text{OVERALL DROP HEIGHT}$$

### OVERALL DROP EXAMPLE

$$\text{HEIGHT OF PENDANT} + \text{LOWER DROP} + \text{UPPER DROP}$$

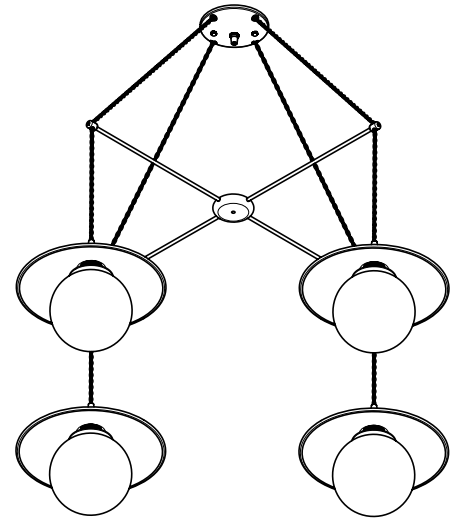
$$9.25" + 10.5" + 16.25" = 36"$$

ELSA SYSTEM - FOUR PENDANT ROUND

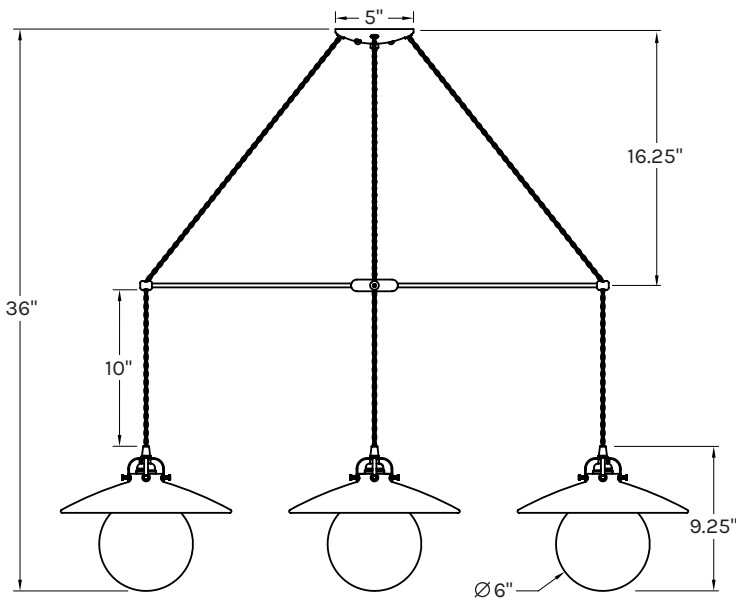
DIMENSIONS

Overall Drop:	36" H
Upper Drop:	16.25" H
Lower Drop:	10" H
Center Bar:	27.5" DIA
Overall Width:	38" DIA
Puck:	3" DIA
Globe:	6" DIA
Pendant:	11" W x 9.25" H
Canopy:	5" DIA

UNDERSIDE



FRONT



SIDE

