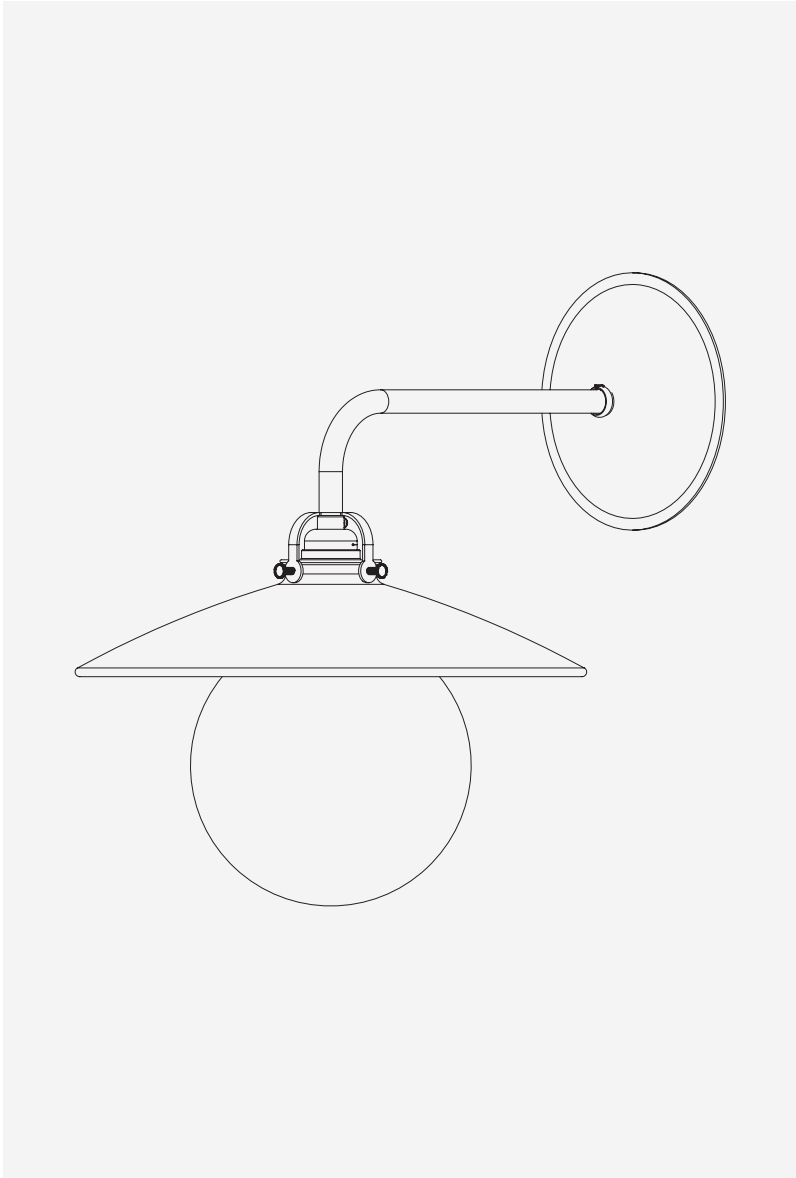


# EDMUND WALL SCONCE

Installation Guide





## **CAUTION**

This product should be installed only by a licensed electrician. Turn off all electrical power at the main fuse box before installation. Turning off the power from a light switch may not be sufficient enough to prevent from electrical shock.

For your safety and for proper operation of the luminaire, read and understand all instructions completely before installation.

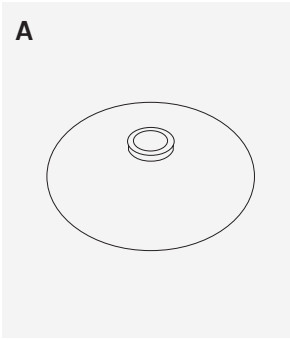
## **UNDERSTANDING THE FIXTURE**

Please care for the brass pieces with a soft cloth, and avoid using any abrasive cleaners or products. The patination process will speed up if any brass product or component is excessively handled. Gloves are recommended for installation.

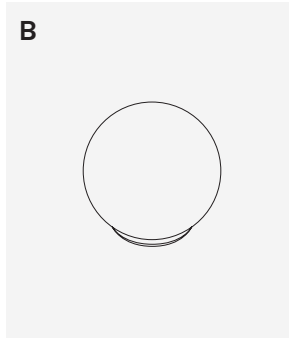
## **BEFORE INSTALLATION**

Carefully unpack the luminaire and inspect for damage. Please check that you received all of the components pictured in this guide. If anything is missing, please contact, [shopkeeper@lostine.com](mailto:shopkeeper@lostine.com), and one of our customer service representatives will be able to assist you.

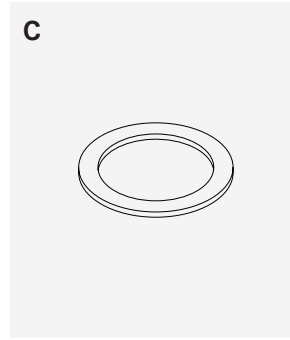
**COMPONENTS INCLUDED**



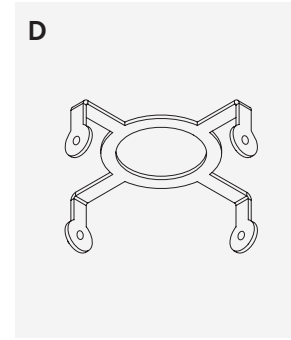
**A**  
Shade  
x1



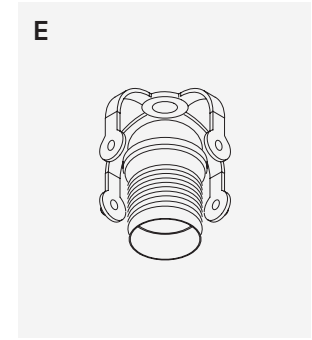
**B**  
Glass Globe  
x1



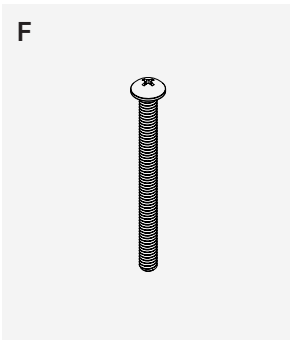
**C**  
Brass Captive Rings  
x 2



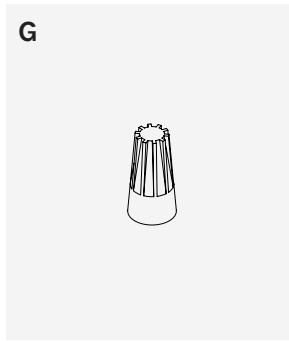
**D**  
3.25" Glass Globe Holder  
x1



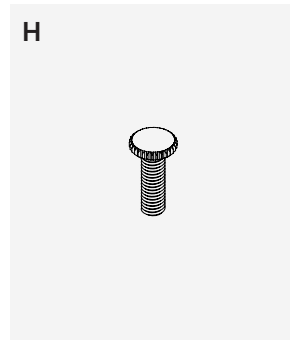
**E**  
2.25" Shade Holder  
x1



**F**  
8-32 Steel Screws  
x 2

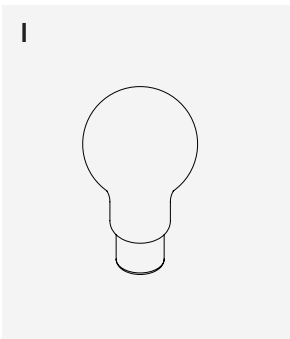


**G**  
Plastic Wire Nuts  
x 3

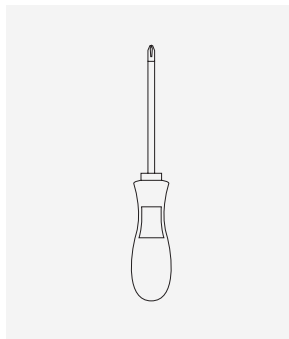


**H**  
Set Screws  
x 7

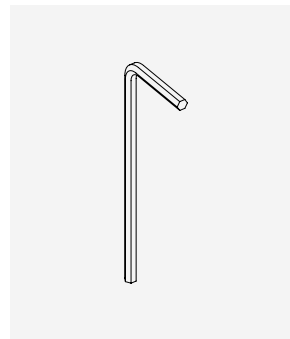
**COMPONENTS NOT INCLUDED**



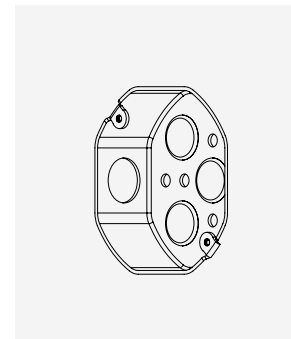
**I**  
E 26 Bulb  
x1



Phillips Head Screwdriver  
x1



5/64 Allen Wrench  
x1



Junction Box  
x1

## WIRING

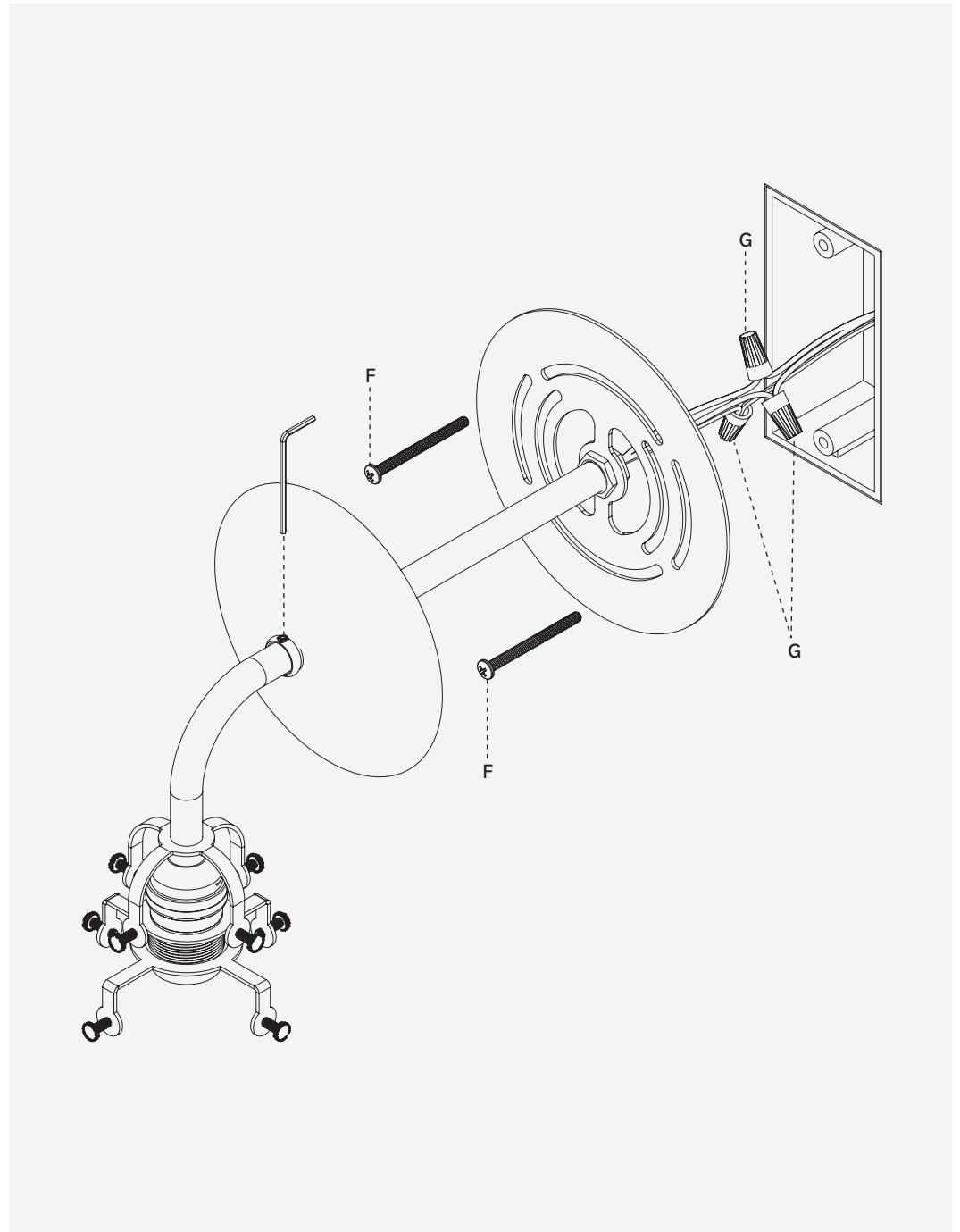
### 1. WARNING

Shut off the power to the electrical box. Turning off the power from a light switch may not be sufficient to prevent electrical shock.

- Using a 5/64 allen key, loosen the set screw from the brass slip ring and slide the wooden backplate forward.
- Secure brass crossbar to electrical box using the provided 8-32 Steel Screws (F).
- Following the electrical configuration listed below, connect the wires from the luminaire to the electrical box using the provided Plastic Wire Nuts (G).

From Electrical Box	From Luminaire
Connect Black or Red (HOT) wire from supply to:	Black Wire
Connect White (NEUTRAL) wire from supply to:	White Wire
Connect green or bare copper (GROUND) wire from supply to:	Bare copper wire from luminaire.

- Slide the wooden backplate and brass slip ring towards the wall and secure the set screw with the 5/64 allen wrench.
- Carefully remove the blue protective film from the arm.



## SHADE ASSEMBLY

1. Remove both Brass Captive Rings (C) and brass 3.25" Glass Globe Holder (D) from the socket.
2. Secure the Shade (A) to the brass 2.25" Shade Holder (E) until all four Set Screws (H) are in contact with the Shade (A). The Set Screws (H) should sit directly under the lip of the Shade (A).
3. Assemble both Brass Captive Rings (C) and 3.25" Glass Globe Holder (D) back onto the socket.
4. Insert desired light bulb (I), (not included).
5. Secure the Globe (B) to the brass 3.25" Glass Globe Holder (D) until all four Set Screws (H) are in contact with the Globe (B). The screws should sit directly under the lip of the globe's opening.
6. Turn the power back on to the electrical box and enjoy your luminaire!

