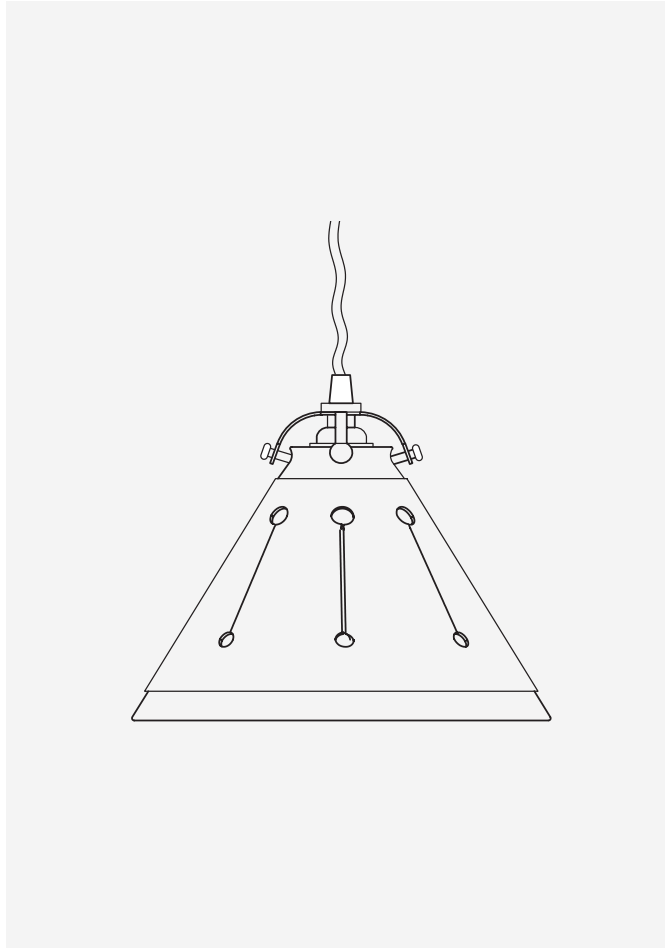


DOT PENDANT LIGHT









DESCRIPTION

A hand-sewn leather sleeve covers the conical hand-blown glass shade. Clever cut-outs in the leather allow bits of light to peek through creating a warm glow. The naturally tanned leather will gradually develop a patina with age.

SPECIFICATIONS


Leather Shade

-  Cloud Blue
-  Dogwood
-  Espresso
-  Natural

Canopy

-  Oil Rubbed Brass
-  Satin Brass
-  White Metal

Cord

-  Twisted Rayon Cord

Materials	Leather and glass shade, cream rayon cord, brass socket + detailing.
Mount	Flat ceiling mount. Sloped ceiling option available upon request.
Lamping	1 x E26 base. 120 VAC
Bulb	To ensure lifelong performance we recommend the use of LED bulbs under 40 watts.
Certification	Can be UL certified. Please inquire.
Product Weight (lbs)	2.10

CARE

Since each side of leather is different, the shade and texture of the leather will vary with each item.

The patina created by daily wear-and-tear is meant to change and evolve over time. Please care for your leather products with a soft cloth and a leather cleaner.

Please care for the brass pieces with a soft cloth, and avoid using any abrasive cleaners or products.

NOTES

1. The shade and texture of the leather will vary with each item.
2. Dimming compatible when hardwired.
3. Dry location rated.
4. Made to order. Please allow 2 - 4 weeks for delivery.
5. Finish samples are available upon request.

DIMENSIONS

ISOMETRIC VIEW

Shade: 7.75" H / 8.75" DIA
5.5" H
2.75" (Top DIA)
Cord: 12' L (Plug-In)
10" L (Hardwired)

