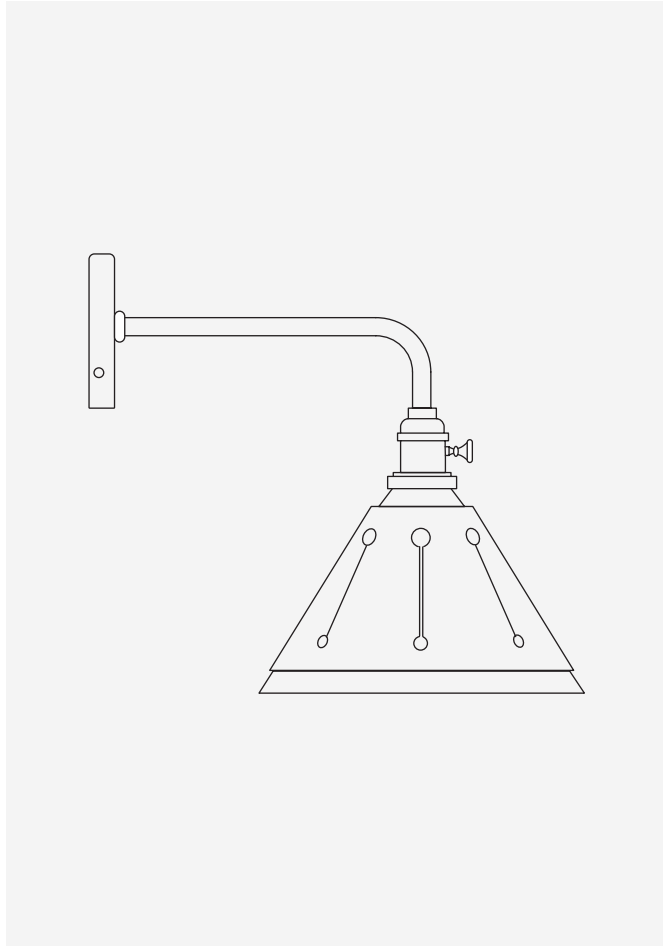


# DOT WALL SCONCE - HARDWIRED





**DESCRIPTION**

The perforated leather sleeve simply slips over a hand-blown glass shade. The arm connects to the matching circular backplate adding to its charm. The color of the hand-sewn leather will gradually evolve with each year it hangs.

**SPECIFICATIONS**

**Leather Shade**

- Cloud Blue
- Dogwood
- Espresso
- Natural

**Metal Backplate**

- Satin Brass

<b>Materials</b>	Leather and glass shade, brass arm.
<b>Lamping</b>	1 x E26. 250V/250W
<b>Bulb</b>	To ensure lifelong performance we recommend the use of LED bulbs under 40 watts.
<b>Certification</b>	Can be UL certified. Please inquire.
<b>Product Weight (lbs)</b>	2.90

**CARE**

The patina created by daily wear-and-tear is meant to change and evolve over time. Please care for your leather products with a soft cloth and a leather cleaner.

Please care for the brass pieces with a soft cloth, and avoid using any abrasive cleaners or products.

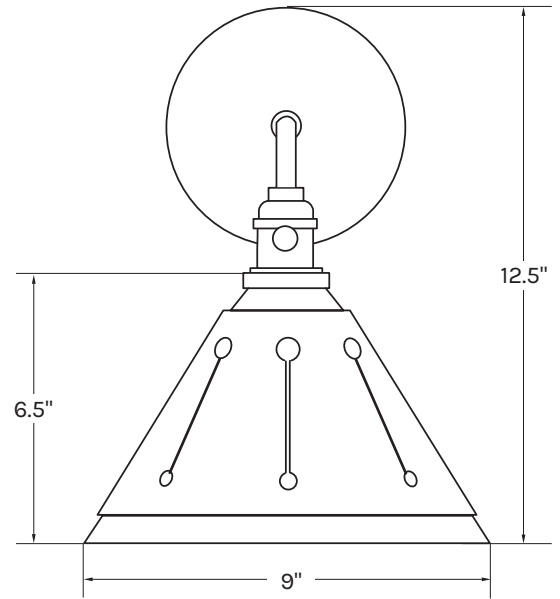
**NOTES**

1. The shade and texture of the leather will vary with each item.
2. Dimming compatible.
3. Dry location rated.
4. Made to order. Please allow 6 - 8 weeks for delivery.
5. Finish samples are available upon request.

DIMENSIONS

Depth: 12" D  
 Backplate: 5.25" DIA  
 Shade: 9" DIA x 6.5" H

ISOMETRIC VIEW



DIMENSIONS

Depth: 12" D  
 Backplate: 5.25" DIA  
 Shade: 9" DIA x 6.5" H

SIDE VIEW

