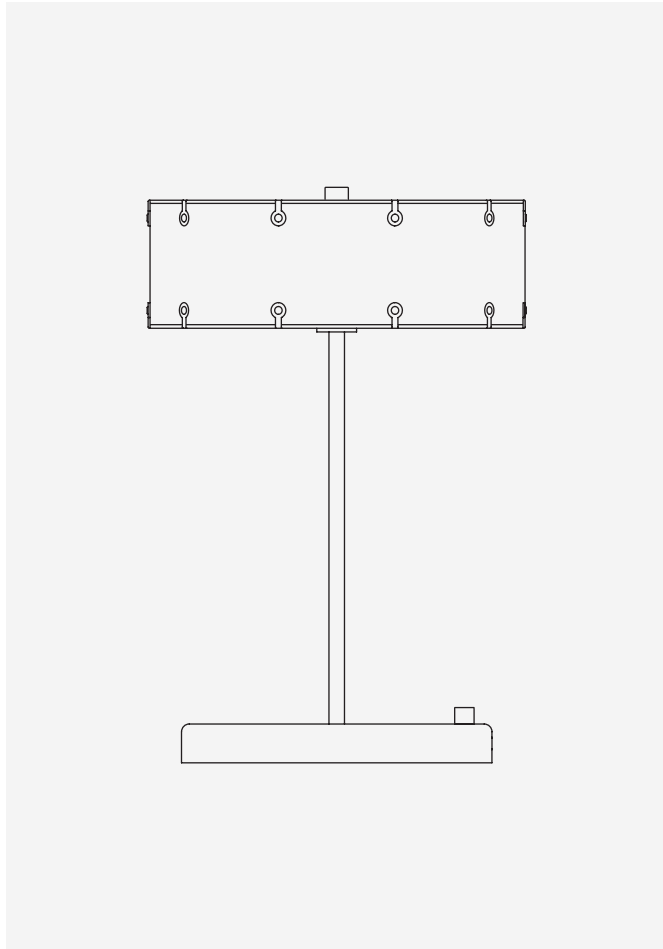


CELESTE TABLE LAMP



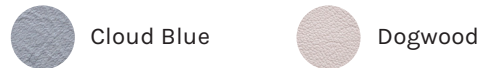


DESCRIPTION

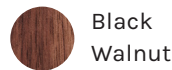
The Celeste Table Lamp sits upon a black walnut base, with a contrasting brass on/off switch. This lamp has 2 sockets, and takes candelabra bulbs. Hand sewn with our creamy soft 'Dogwood' or 'Cloud Blue' leather.

SPECIFICATIONS

Leather Shade



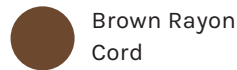
Lamp Base



Metal



Cord



Materials Leather, satin brass, black walnut, brown rayon cord.

Lamping 2 x E12 Candelabra. 75W/125V

Bulb To ensure lifelong performance we recommend the use of LED bulbs under 40 watts.

Certification Can be UL certified. Please inquire.

Product Weight (lbs) 6.10

NOTES

1. The shade and texture of the leather will vary with each item.
2. Dry location rated.
3. Made to order. Please allow 8 - 10 weeks for delivery.
4. Finish samples are available upon request.

CARE

The patina created by daily wear-and-tear is meant to change and evolve over time. Please care for your leather products with a soft cloth and a leather cleaner.

Please care for the brass pieces with a soft cloth, and avoid using any abrasive cleaners or products.

We recommend using a microfiber dust cloth to care for wood fixtures. Kindly avoid additional cleaners and products.

DIMENSIONS

Height: 18.5" H
Base: 10" DIA
Shade: 4.5" H x 12" DIA
Cord: 8.5" L

ISOMETRIC VIEW

