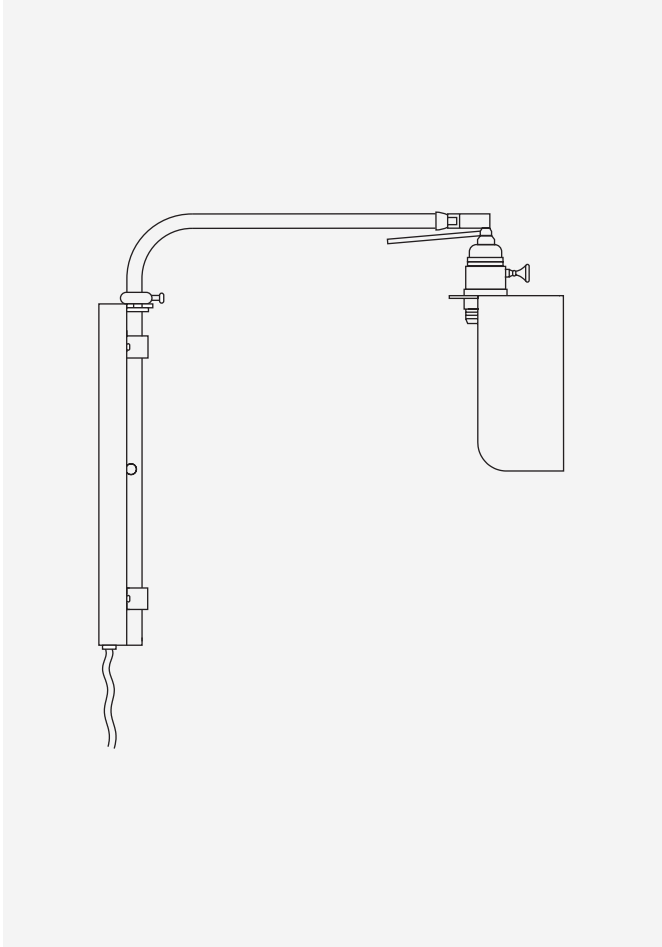


AVA WALL SCONCE - PLUG





DESCRIPTION

Its brass arm and full range of motion shade lock into place with a simple brass swivel bar. The union of black walnut, brass, and hand-sewn leather make a sophisticated statement while integrating seamlessly with a wide range of design sensibilities.

SPECIFICATIONS

Leather Shade



Black



Tan

Wooden Backplate



Black
Walnut

Metal



Satin
Brass



Tumbled
Brass

Cord



Brown Rayon
Cord

Materials Black Walnut, hand-sewn leather, satin brass, rayon cord.

Lamping 1 x E26. 250V/250W

Bulb To ensure lifelong performance we recommend the use of LED bulbs under 40 watts.

Certification Can be UL certified. Please inquire.

Product Weight (lbs) 3.70

NOTES

1. Since each side of leather is different, the shade and texture of the leather will vary with each item. The patina created by daily wear-and-tear is meant to change and evolve over time.
2. Dry location rated.
3. Made to order. Please allow 4-6 weeks for delivery.
4. Finish samples are available upon request.

CARE

Please care for your leather products with a soft cloth and a leather cleaner.

Please care for the brass pieces with a soft cloth, and avoid using any abrasive cleaners or products.

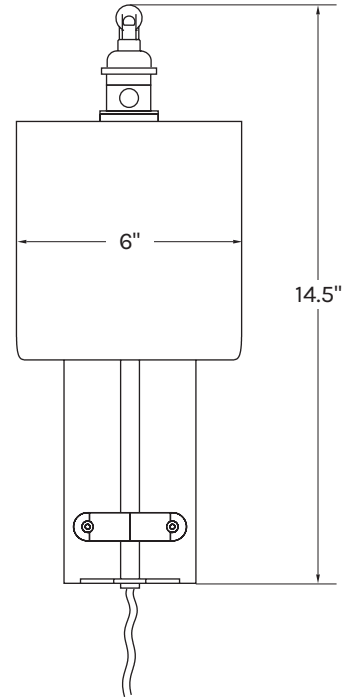
We recommend using a microfiber dust cloth to care for wood fixtures. Kindly avoid additional cleaners and products.

DIMENSIONS

Total Height: 14.5" H

Shade: 6" W

ISOMETRIC

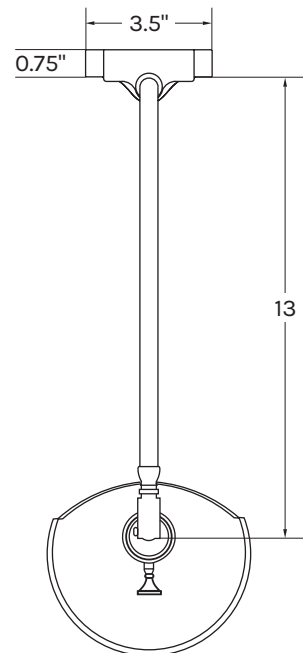


DIMENSIONS

Arm-to-Socket: 13" L

Backplate: 3.5" W x 0.75" D

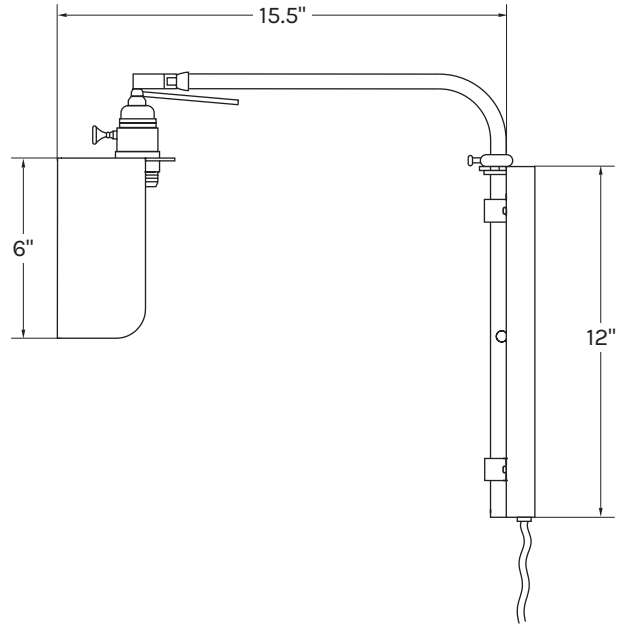
ABOVE



DIMENSIONS

Arm-to-Shade: 15.5" L
Shade: 6" H
Backplate: 12" H

SIDE



DIMENSIONS

Backplate: 3.5" W x 12" H x 0.75" D

BACK

