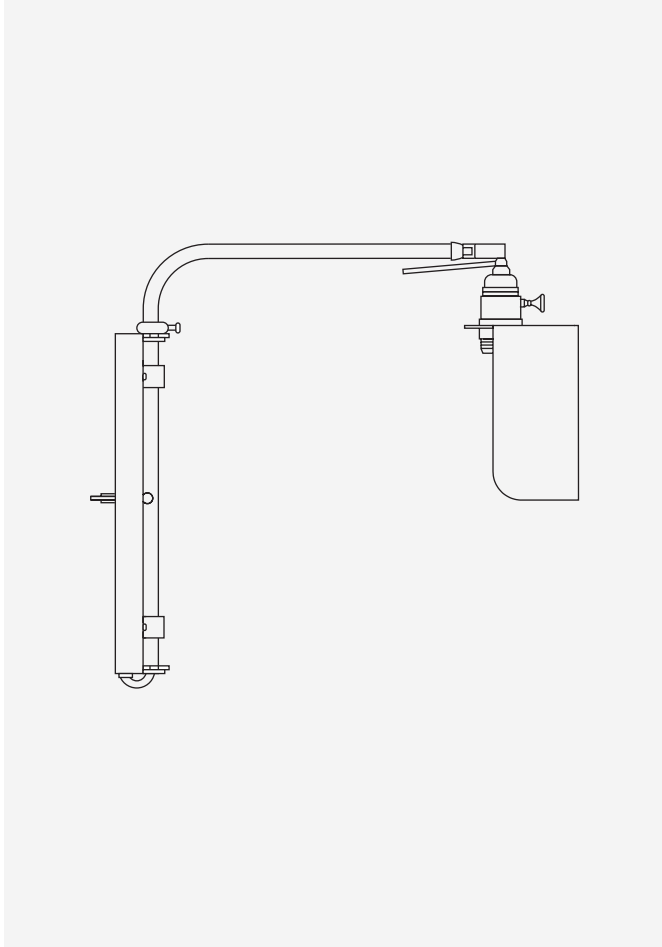


# AVA WALL SCONCE - HARDWIRED





**DESCRIPTION**


Its brass arm and full range of motion shade lock into place with a simple brass swivel bar. The union of black walnut, brass, and hand-sewn leather make a sophisticated statement while integrating seamlessly with a wide range of design sensibilities.

**SPECIFICATIONS**

Leather Shade

-  Black
-  Tan


Wooden Backplate

-  Black Walnut

Metal

-  Satin Brass
-  Tumbled Brass

Cord

-  Brown Rayon Cord

Materials	Black Walnut, hand-sewn leather, satin brass, rayon cord.
Lamping	1 x E26. 250V/250W
Bulb	To ensure lifelong performance we recommend the use of LED bulbs under 40 watts.
Certification	UL Certified
Product Weight (lbs)	3.70

**NOTES**

1. Since each side of leather is different, the shade and texture of the leather will vary with each item. The patina created by daily wear-and-tear is meant to change and evolve over time.
2. Dimming compatible.
3. Dry location rated.
4. Made to order. Please allow 4-6 weeks for delivery.
5. Finish samples are available upon request.

**CARE**

Please care for your leather products with a soft cloth and a leather cleaner.

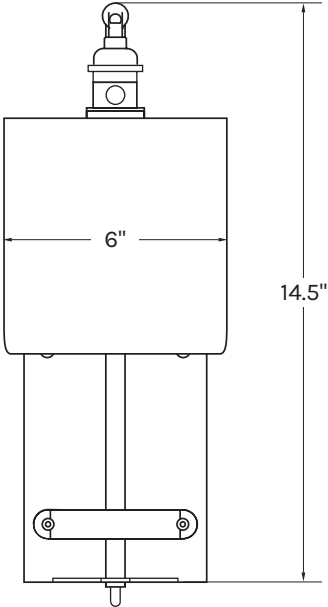
Please care for the brass pieces with a soft cloth, and avoid using any abrasive cleaners or products.

We recommend using a microfiber dust cloth to care for wood fixtures. Kindly avoid additional cleaners and products.

DIMENSIONS

Total Height: 14.5" H  
Shade: 6" W

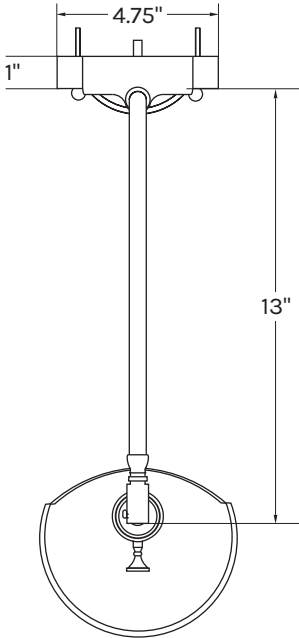
ISOMETRIC

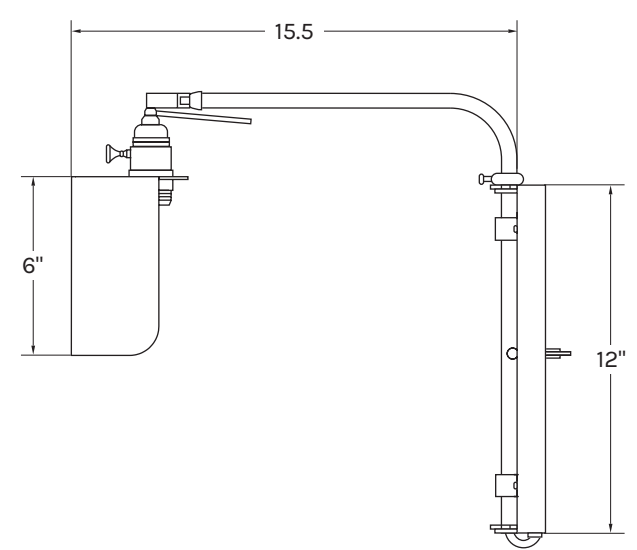


DIMENSIONS

Arm-to-Socket: 13" L  
Backplate: 4.75" W x 1" D

ABOVE



DIMENSIONS	SIDE
<p>Arm-to-Shade: 15.5" L</p> <p>Shade: 6" H</p> <p>Backplate: 12" H</p>	

DIMENSIONS	BACK
<p>Backplate: 4.75" W x 12" H x 1" D</p>	